



# PUIaudio



Data Sheet

HD-EMB1205-3-SC-R

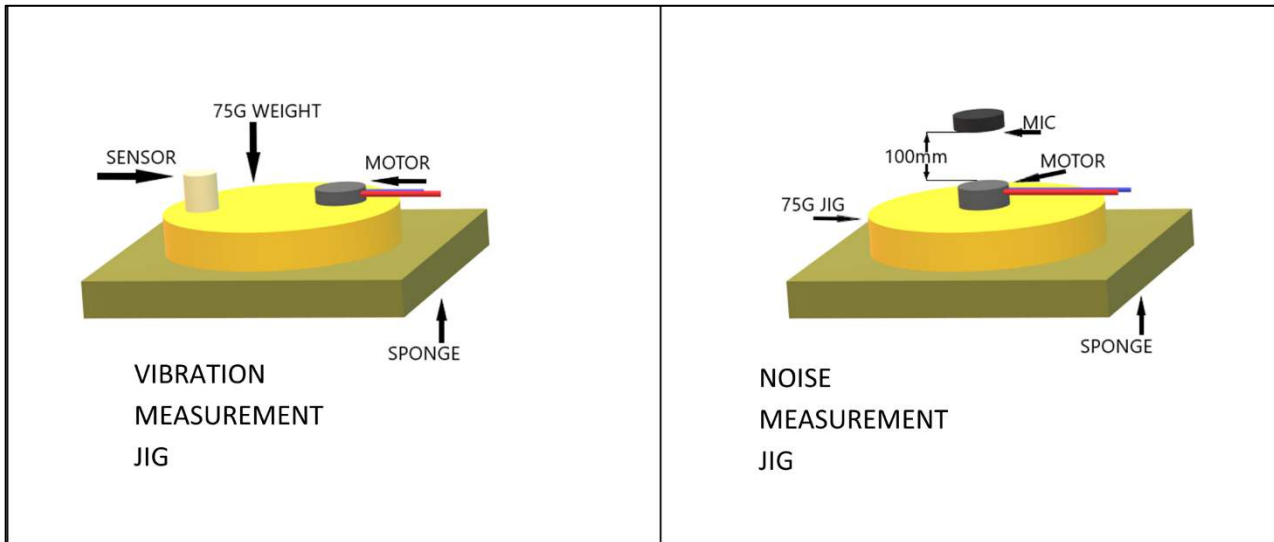
## Features:

- Designed to be driven with 3 VDC
- Spring Contacts for easy implementation
- Generates 9,000 RPMs with no more than 50 dBA acoustic noise

## Specifications

Parameters	Values	Units
Rated Voltage	3.0	VDC
Starting Voltage	2.4	VDC
Operating Voltage Range	2.5 ~ 3.7	VDC
Direction of Rotation	CW/CCW	-
Terminal Resistance	30 ± 10%	Ohms
Rated Speed (at 3 VDC)	9,000	RPMs
Rated Current (at 3 VDC)	90	mA
Starting Current (Max)	150	mA
Shaft Pull Strength	3	Kg
Shaft End Play (Max)	0.3	mm
Mechanical Noise (Max)	50	dBA
Housing Material	SPC	-
Environmental Compliances	RoHS/REACH	-
Weight	0.8	Grams
Storage Temperature	-40 ~ +85	°C
Operating Temperature	-20 ~ +60	°C

## Measurement Methods

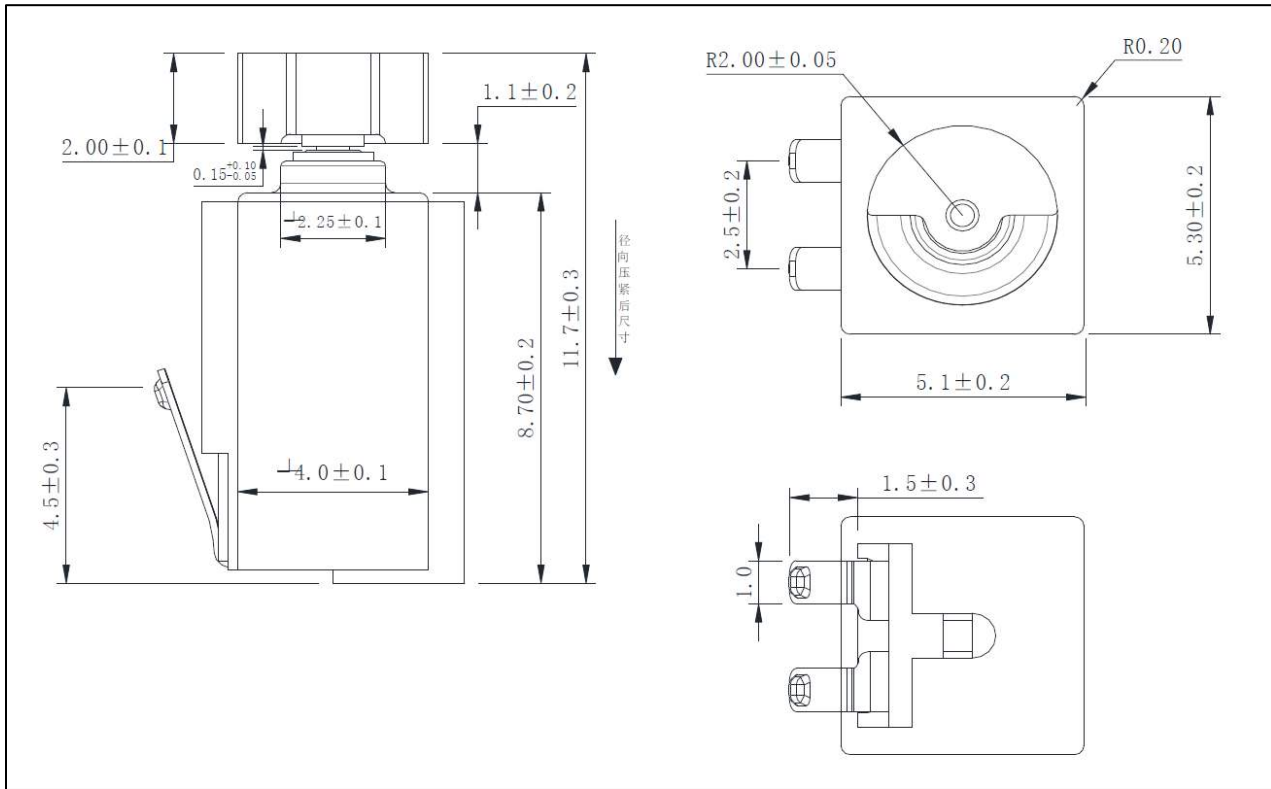


## Reliability Testing

Type of Test	Test Specifications
High Temperature Test	Temperature: 85°C Test Duration Time: 96 hours
Low Temperature Test	Temperature: -40°C Test Duration Time: 96 hours
Humidity Test	Temperature: 70°C Room Humidity: 90% Test Duration Time: 96 hours
Temperature Cycle Testing	Run for two cycles with the motor driving for 0.5 seconds on 0.5 seconds off: 
Vibration Test	3mm deflection at 1000 cycles per minute, for 10 minutes in each axis (X, Y, Z).
Drop Test	Weight: Set linear vibration motor to ~100g (including linear vibration motor) weight of block. Drop Height: 150cm Floor Material: Steel Test Axis: ±X, ±Y, ±Z; total 6 faces Test Repetition: 2 time per face (12 total)
Load Test	1,000,000 operating cycles at room temperature Test Cycle: 0.5 seconds on, 0.5 second off

**Acceleration, resistance, rated current and noise must meet specifications after allowing the device to rest for 12 hours after test.**

## Dimensions



## Packaging

Item	Tray	Inner Box	Outer Box
DIV.	PET	Carton box	Carton box
Dimension	141(L) x 150(W) x 11(H)	150(L) x 160(W) x 115(H)	330(L) x 330(W) x 270(H)
Quantity	50ea	1,000ea	8,000ea

### Specifications Revisions

Revision	Description	Date
A	RELEASED FROM ENGINEERING	04/14/2022

### Note:

- Unless otherwise specified:
  - All dimensions are in millimeters.
  - Default tolerances are  $\pm 0.5\text{mm}$  and angles are  $\pm 3^\circ$ .
- Specifications subject to change or withdrawal without notice.