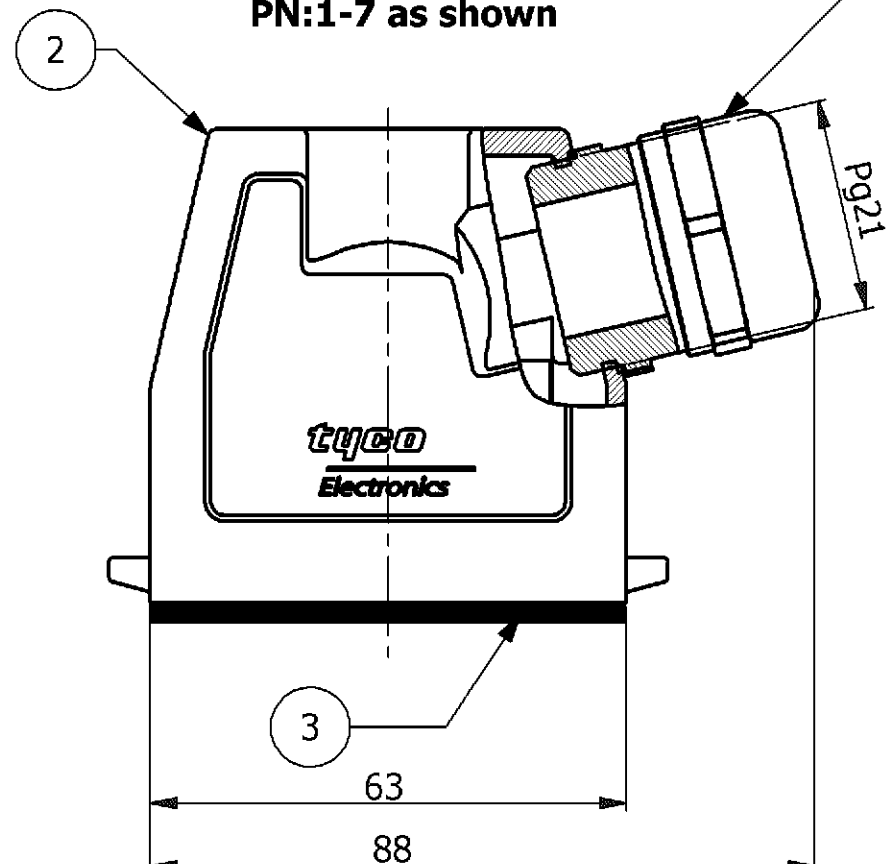
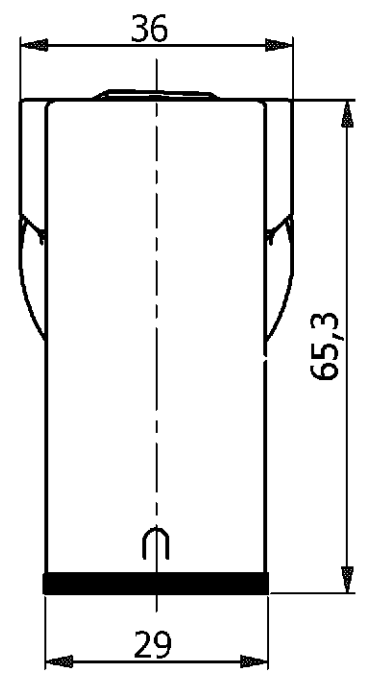


PN:1-7 as shown

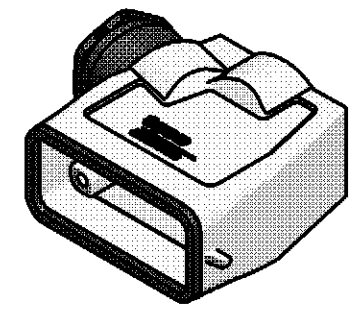


PN:2-7 as shown

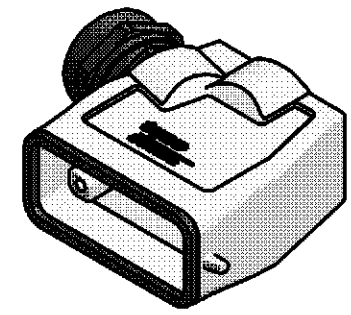


NOTES

- 1 PACKAGING QUANTITY: 5 PIECES PER BOX
- 2 MATERIAL: HOUSING: ALUMINIUM DIE CAST ALLOY
SEALS: NEOPRENE
- 3 SURFACE: VARNISH GREY
ALUMINIUM OXIDE +
VARNISH BLACK
- 4 VARNISH ON THE INSIDE NOT NECESSARY



PN:1-7
Ordering Text:
HD.15.STS.1.21



PN:2-7
Ordering Text:
HD-K.15.STS.1.21

1	-	DESCRIPTION	MATERIAL	SURFACE	COLOR	ITEM NO.	REMARKS
1	-	Gland fitting	Brass	Nickel Plated	Blue	5	Pg 21
-	1	Cable fitting Round	Brass	Nickel Plated	Blue	4	Pg 21
1	1	Profile seal	Neoprene	-	Black	3	-
1	-	Hood	Aluminium	Aluminium oxide	Black	2	-
-	1	Hood	Aluminium	-	Grey	1	-
2-7	1-7	DESCRIPTION	MATERIAL	SURFACE	COLOR	ITEM NO.	REMARKS

THIS DRAWING IS A CONTROLLED DOCUMENT FOR AMP INCORPORATED. IT IS SUBJECT TO CHANGE AND THE CONTROLLING ENGINEERING ORGANIZATION SHOULD BE CONTACTED FOR THE LATEST REVISION. DIESSES ZEICHNUNGSDOKUMENT WIRD DURCH AMP INCORPORATED KONTROLLIERT. ÄNDERUNGEN, DIE DEM TECHNISCHEN FORTSCHRITT DIENEN, SIND VORBEHALTEN. DEN JEWEILS LETZTGÜLTIGEN ÄNDERUNGSSTAND ERFAHREN SIE AUF ANFRAGE.		DWN	4/20/2006	tyco Electronics		Tyco / Electronics AMP GmbH D - 53819 Neunkirchen	
DIMENSIONS: DIMENSIONEN: mm		R.SRINIVAS 4/20/2006					
TOLERANCES UNLESS OTHERWISE SPECIFIED: ALLGEMEINTOLERANZEN n. ISO 8015 - # n. ISO 2768 - mH-E # n. DIN 16901-140 # 0 PLC # 1 PLC # 2 PLC # 3 PLC # ANGLES / WINKEL #		CHK		NAME HOOD HD.15.STS.1.21		DRAWING NO ZEICHNUNGS-NR. 1102428	
		R.SRINIVAS 4/20/2006					
MATERIAL		APVD		SIZE A3		CAGE CODE 00779	
		T.SCHNURPFEIL					
FINISH / OBERFLÄCHE / FARBE		PRODUCT SPEC. PRODUKTSPEZ. 108-74001;-74003		RESTRICTED TO NUR FUER		SCALE MASSSTAB 1:1	
		APPLICATION SPEC. VERARBEITUNGSSPEZ. 114-74004					
2		WEIGHT GEWICHT		OF VON 1		REV. B1	
		FINISH / OBERFLÄCHE / FARBE					