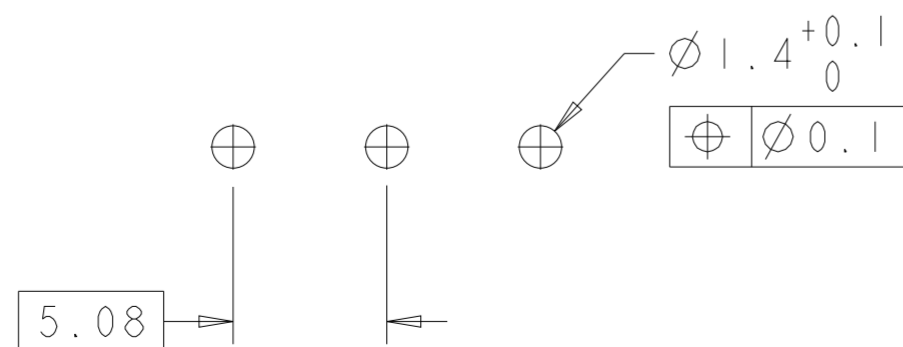
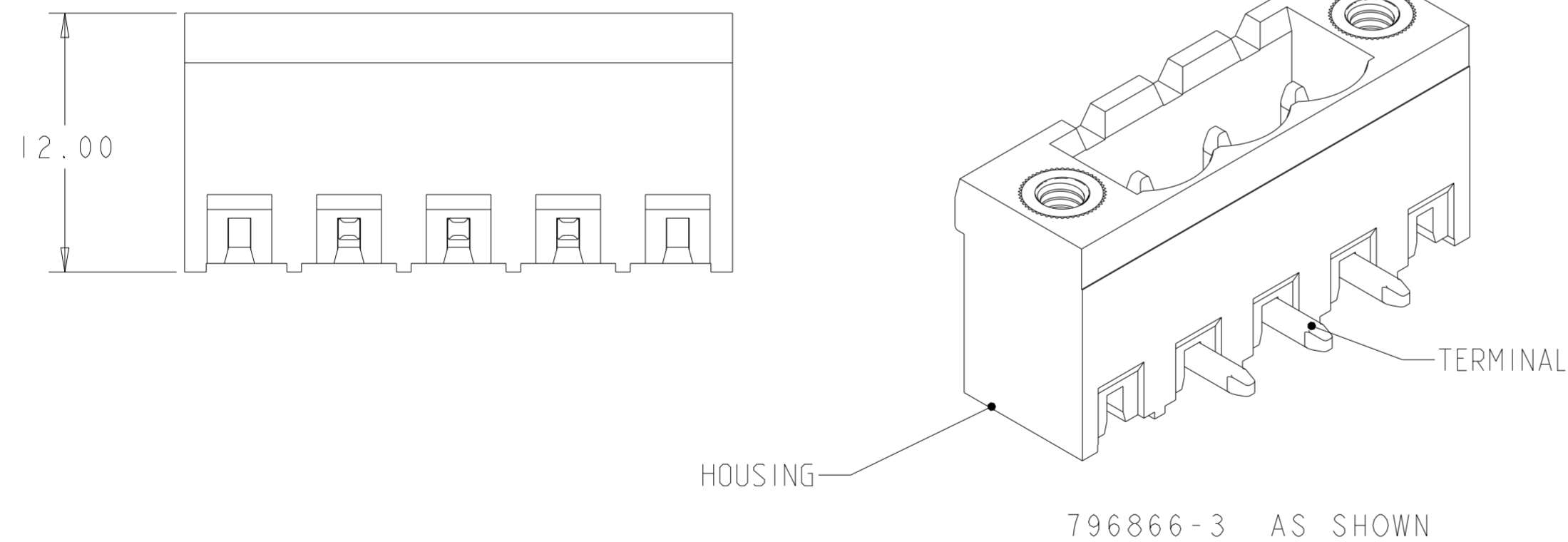
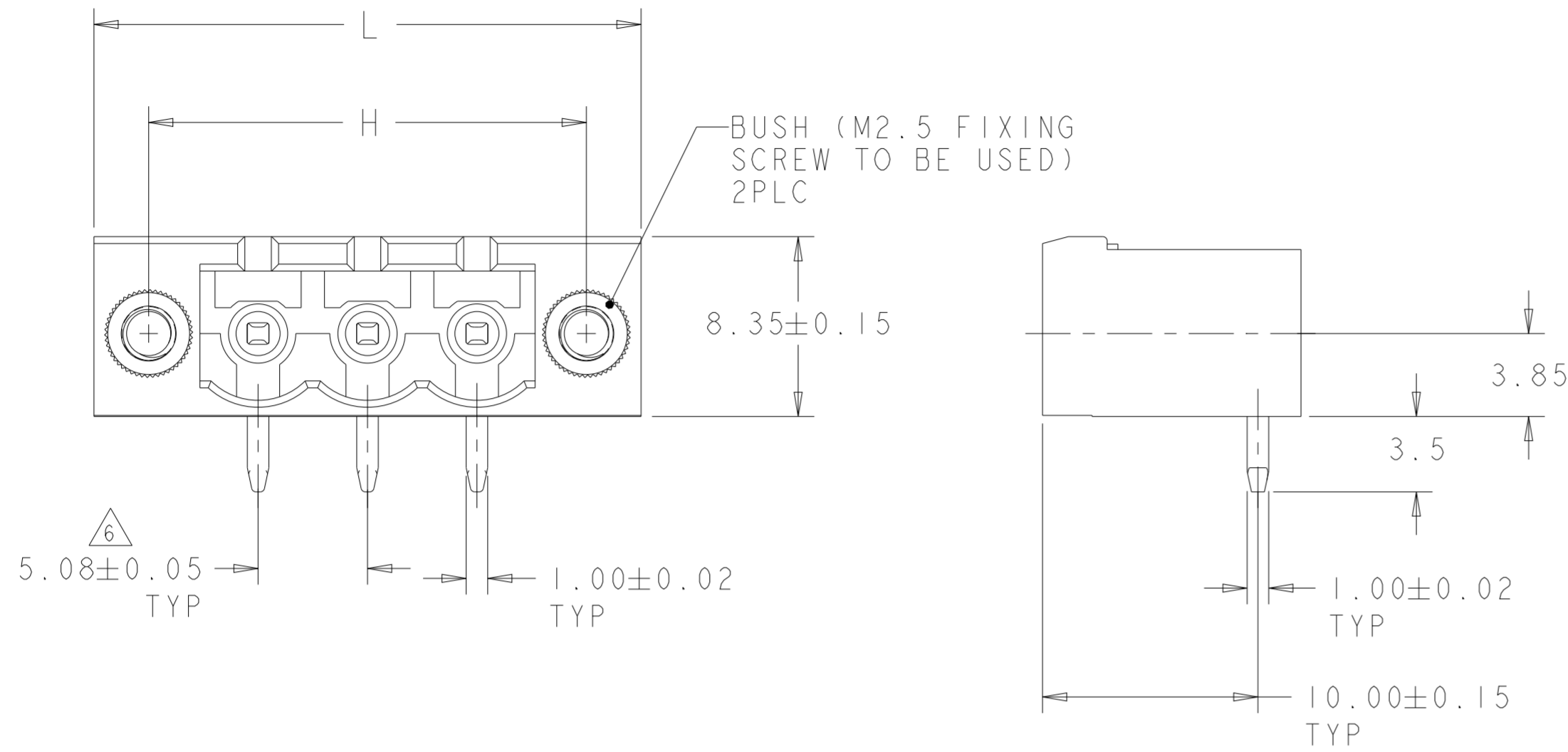


P	LTR	DESCRIPTION	DATE	DWN	APVD
B5		BUSH PART MATERIAL INFORMATION ADDED	10MAY2018	RK	PS
B6		PART STATUS UPDATED	05JUL2021	SB	SS

NOTES:

1. MATERIALS AND FINISH:
 HOUSING: PA 6-6, UL 94-V0, COLOR: SEE TABLE.
 TERMINAL: COPPER ALLOY, PLATING: SEE TABLE.
 BUSH : BRASS, NICKEL PLATED.
 2. MECHANICAL
 MAX. INSERTION FORCE PER POLE : 3.0 N
 MIN. WITHDRAWAL FORCE PER POLE : 1.5 N
 MIN. PC BOARD HOLES DIAMETER : 1.4 mm
 MAX. PC BOARD THICKNESS : 2.4 mm.
 3. ELECTRICAL
 WIRE RANGE : 12-30 AWG
 MAX. VOLTAGE : 300 V
 MAX CURRENT : 15 A
 CONTACT RESISTANCE : <15 m Ohm
 INSULATION RESISTANCE : >1000 M Ohm (500V DC)
 4. OPERATING TEMPERATURE RANGE: -40°C TO +110°C
 5. RECOGNIZED UNDER THE COMPONENT PROGRAM OF UNDERWRITERS LABORATORIES INC. FILE No. E60677.
6. NOT CUMULATIVE TOLERANCE.



RECOMMENDED PC BOARD LAYOUT

COLOR	TERMINAL PLATING	L	H	NO. OF POSN	PART NUMBER	
OBSOLETE	ORANGE	TIN	35.48	30.48	5	2-796866-5
	GREEN	0.2µm GOLD	35.48	30.48	5	2-796866-4
	GREEN	TIN	126.92	121.92	23	2-796866-3
	GREEN	TIN	121.84	116.84	22	2-796866-2
	GREEN	TIN	116.76	111.76	21	2-796866-1
	GREEN	TIN	111.68	106.68	20	2-796866-0
	GREEN	TIN	106.60	101.60	19	1-796866-9
	GREEN	TIN	101.52	96.52	18	1-796866-8
	GREEN	TIN	96.44	91.44	17	1-796866-7
	GREEN	TIN	91.36	86.36	16	1-796866-6
	GREEN	TIN	86.28	81.28	15	1-796866-5
	GREEN	TIN	81.20	76.20	14	1-796866-4
	GREEN	TIN	76.12	71.12	13	1-796866-3
	GREEN	TIN	71.04	66.04	12	1-796866-2
	GREEN	TIN	65.96	60.96	11	1-796866-1
	GREEN	TIN	60.88	55.88	10	1-796866-0
	GREEN	TIN	55.80	50.80	9	796866-9
	GREEN	TIN	50.72	45.72	8	796866-8
	GREEN	TIN	45.64	40.64	7	796866-7
	GREEN	TIN	40.56	35.56	6	796866-6
	GREEN	TIN	35.48	30.48	5	796866-5
	GREEN	TIN	30.40	25.40	4	796866-4
	GREEN	TIN	25.32	20.32	3	796866-3
	GREEN	TIN	20.24	15.24	2	796866-2

THIS DRAWING IS A CONTROLLED DOCUMENT.

DWN: S. WELDON 09FEB2001
 CHK: D. BIEVENOUR 09FEB2001
 APVD: D. BIEVENOUR 09FEB2001

TE Connectivity

NAME: TERMINAL BLOCK HEADER ASSEMBLY, 90 DEGREE, WITH FLANGE, 5.08mm PITCH

SIZE: A2 CAGE CODE: 00779 DRAWING NO: C-796866

SCALE: 4:1 SHEET: 1 OF 1 REV: B6