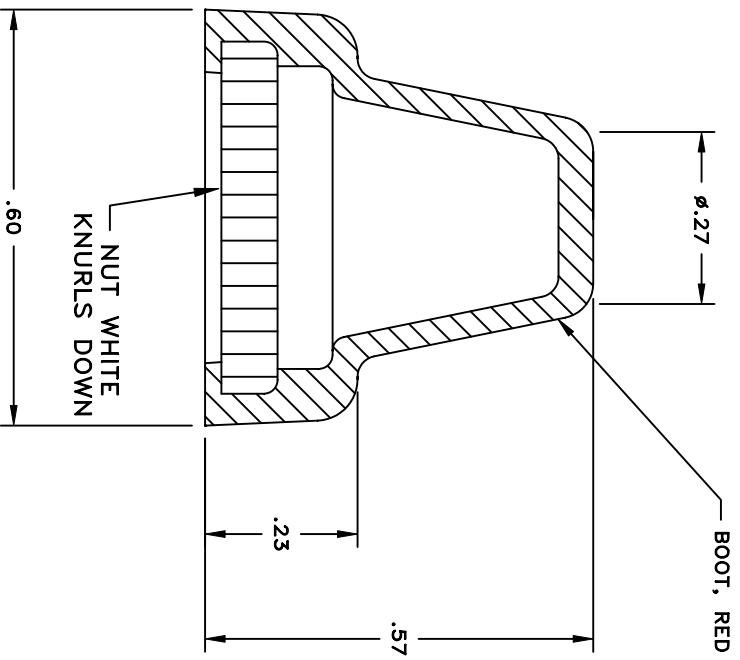


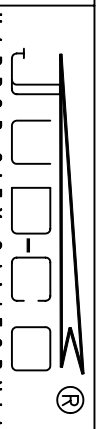
LTR	EN	DESCRIPTION	APPR	BY	DATE
A	-	INITIAL RELEASE	RB	NH	11-10-03



JUDCO INVENTORY NO.19-1103-00  
 DESCRIPTION: J-961 BOOT, RED KRATON,  
 WITH NUT

CUSTOMER NAME: DIGI-KEY  
 APPROVED BY: \_\_\_\_\_  
 DATE: \_\_\_\_\_

DIMENSIONS IN INCHES  
 DIMENSIONS ARE REFERENCE



DRAWN: NH 11-10-03

TITLE  
 J 961 BOOT  
 RED, KRATON

APPR: KJ 11-10-03

DWG. NO. 1415-505

1415US05A.DWG

SHEET 1 OF 1

This document embodies a product, component, and/or design proprietary to JUDCO MANUFACTURING INC., and which is protected either as a trade secret, by U.S. Patent, or by copyright. It may not be used in any way without written express consent of JUDCO MANUFACTURING INC.