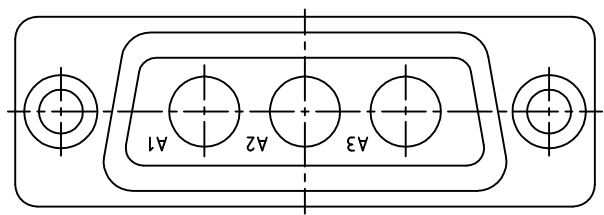
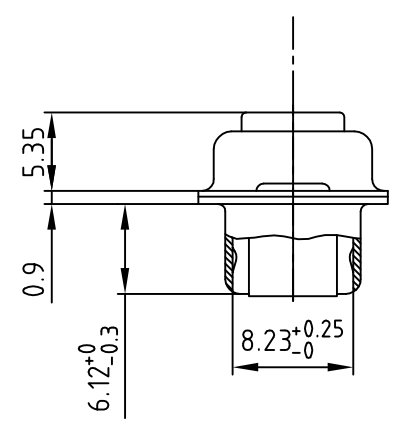
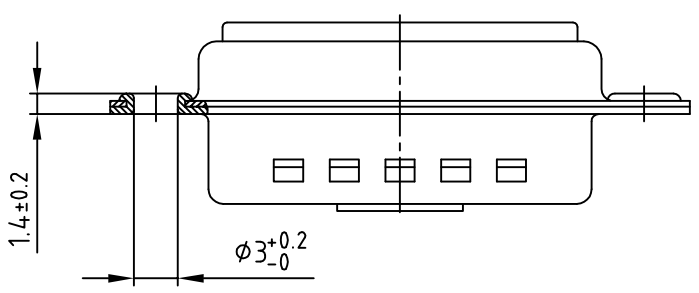
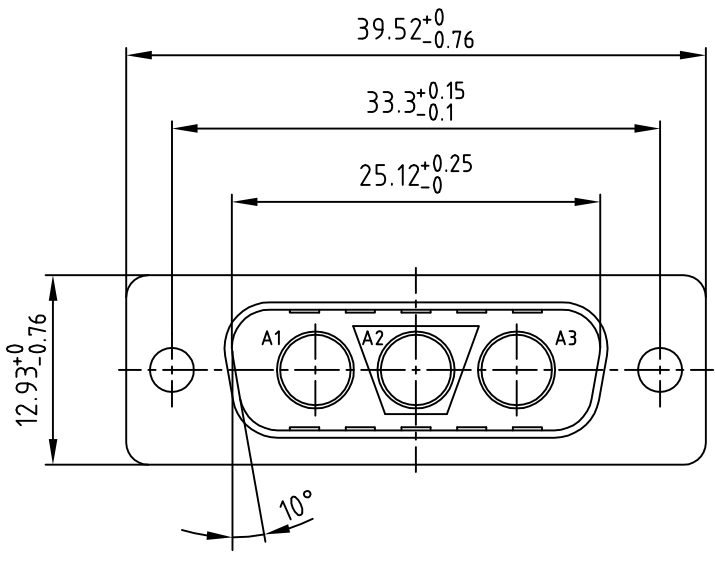


used for: D-SUB COMBINATION



G:\RoHS_Compliant_gross_0001.jpg

- NOTES:
 1. METALSHELLS: STEEL: TIN PLATED
 2. INSULATOR: PBT GF UL 94 V-0; GREEN

THIS DRAWING MAY NOT BE COPIED OR REPRODUCED IN ANY WAY, AND MAY NOT BE PASSED ON TO A THIRD PARTY WITHOUT WRITTEN PERMISSION.
 OWNERSHIP AND COPYRIGHT OF CONEC GmbH
 DO NOT ALTER CAD DRAWING BY HAND

tolerance			
1999	date	name	
drawn	29.03.	Barcinski	
appd.	29.03.	Mickenbecker	
norm			
d-old			
rev.	description	date	name



scale:	2:1	
material:	SEE NOTES	
title:	D-SUB COMBINATION MALE 3W3CP WITHOUT CONTACTS	
dwg no:	CAD/ REL.14	DIN-A
	13K1108A	4
product no:	303W3CPXX99A10X	
		sh: 1/1