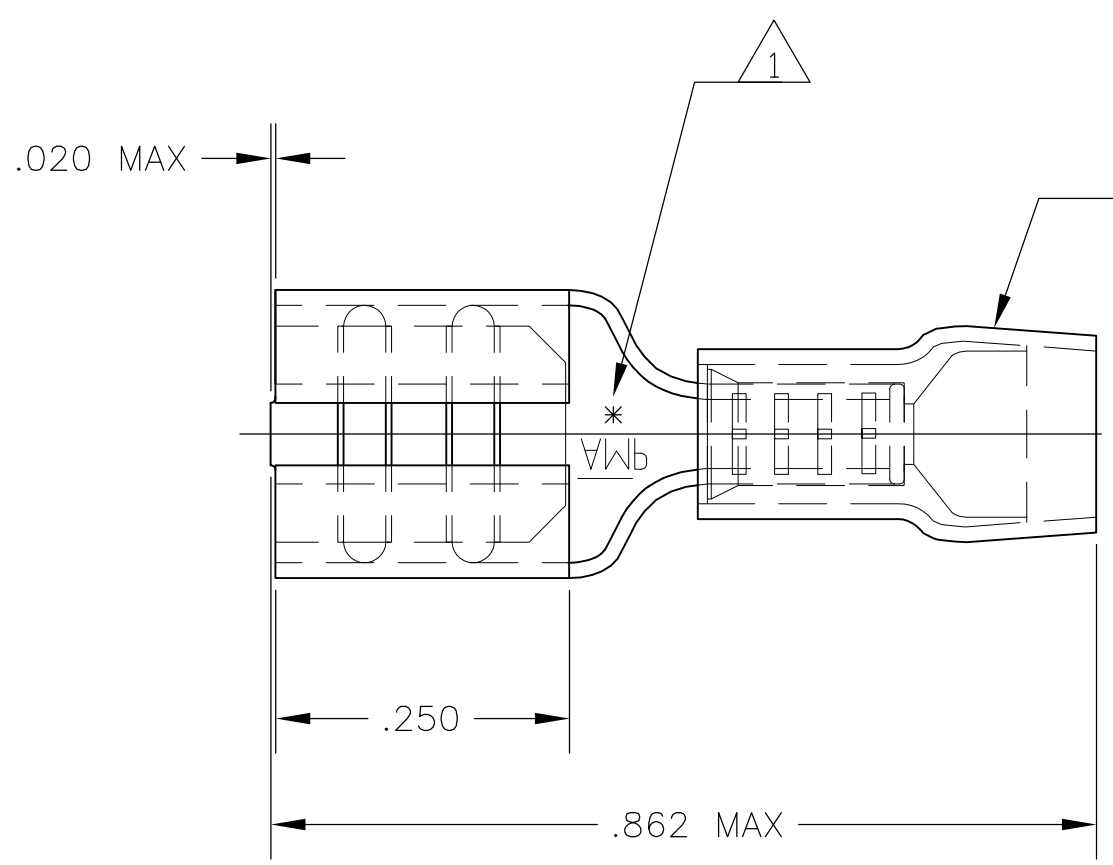
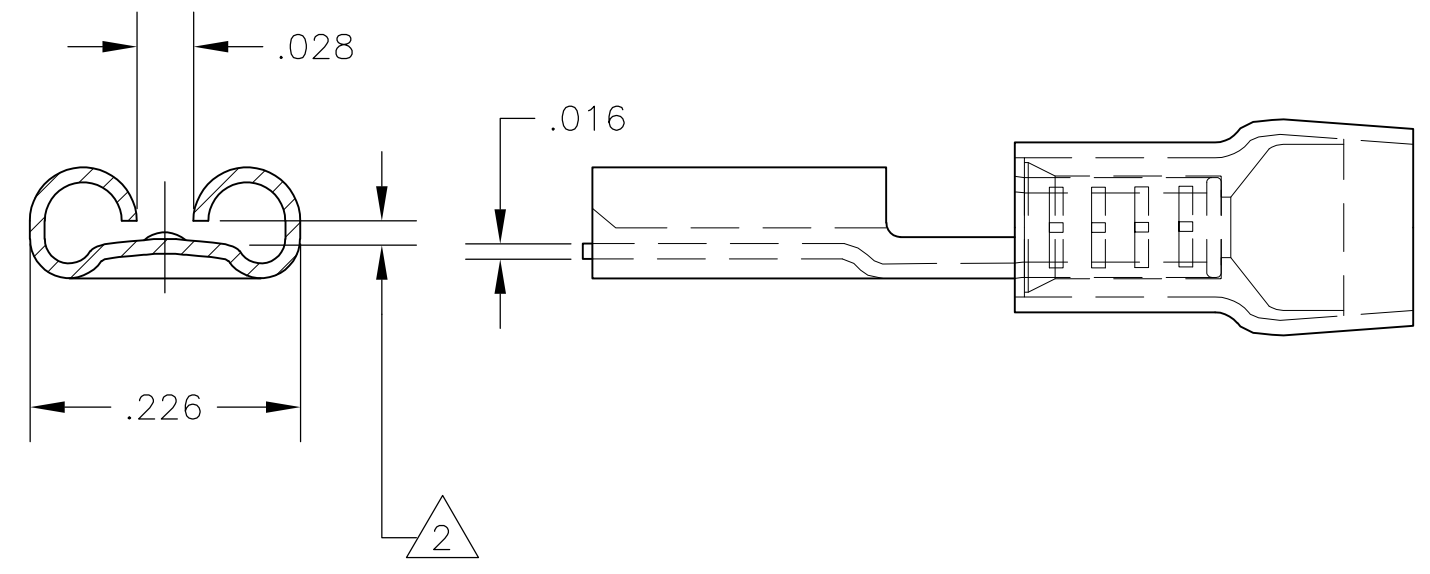


THIS DRAWING IS UNPUBLISHED. RELEASED FOR PUBLICATION
 © COPYRIGHT - By - ALL RIGHTS RESERVED.


LOC	DIST	REVISIONS			
P	LTR	DESCRIPTION	DATE	DWN	APVD
G	02	H2	REVISED PER ECO-11-005027	11MAR11	RK HMR



1 ASTERISK * FOR PHOS BRONZE ITEMS ONLY.
 2 MATES WITH A .031 THK TAB



9-160479-5 ON TAPE	5-160479-5	
9-160479-2 ON TAPE	5-160479-2	
TIN	PHOS BRONZE	9-160479-5
TIN	BRASS	9-160479-2
FINISH	MATERIAL	ORDER NO.

THIS DRAWING IS A CONTROLLED DOCUMENT.		DWN jr_ruth 21MAY04	 TE Connectivity FASTON RECEPTACLE, PIDG .187 SERIES WIRE SIZE: 16-14 AWG			
DIMENSIONS: INCHES		CHK T MICHELUTTI 21MAY04				NAME
TOLERANCES UNLESS OTHERWISE SPECIFIED:		APVD T MICHELUTTI 21MAY04	PRODUCT SPEC		SIZE	
0 PLC ± - 1 PLC ± - 2 PLC ± - 3 PLC ± .005 4 PLC ± - ANGLES ± 5°		APPLICATION SPEC		CAGE CODE	DRAWING NO	RESTRICTED TO
MATERIAL		WEIGHT		A300779		C-160479
FINISH		CUSTOMER DRAWING		SCALE	SHEET	REV
				1:1	1 OF 1	H2