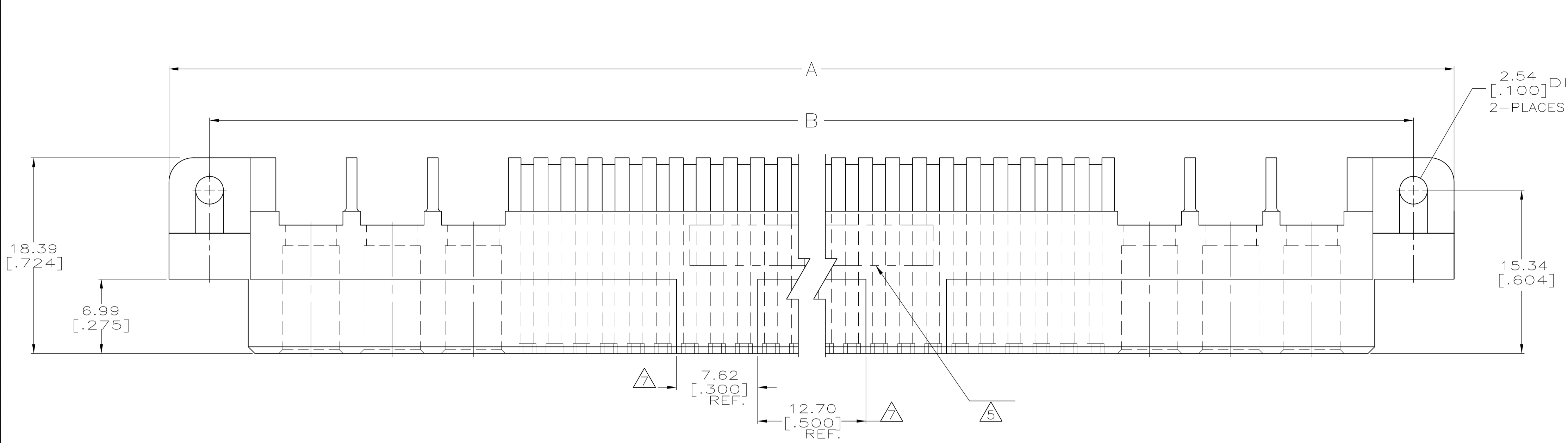
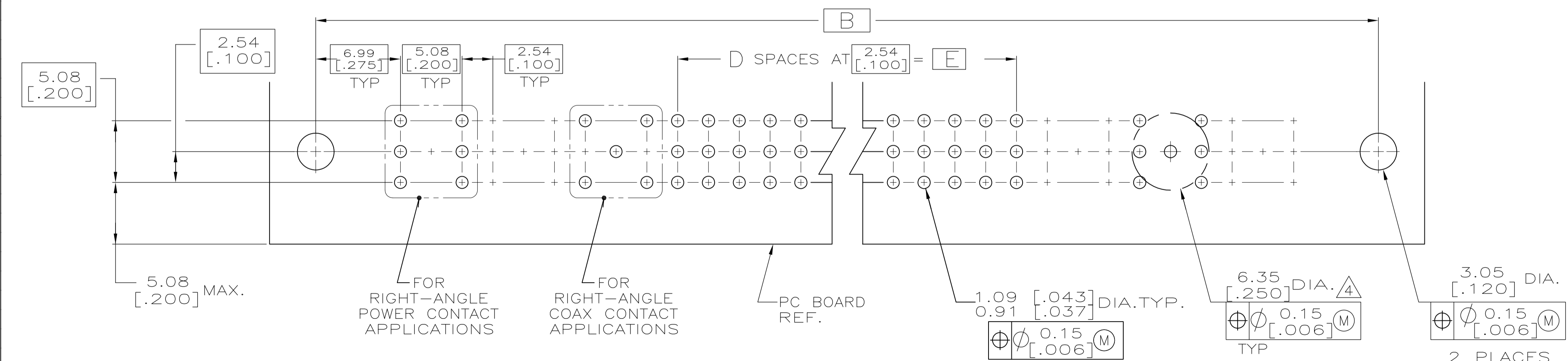
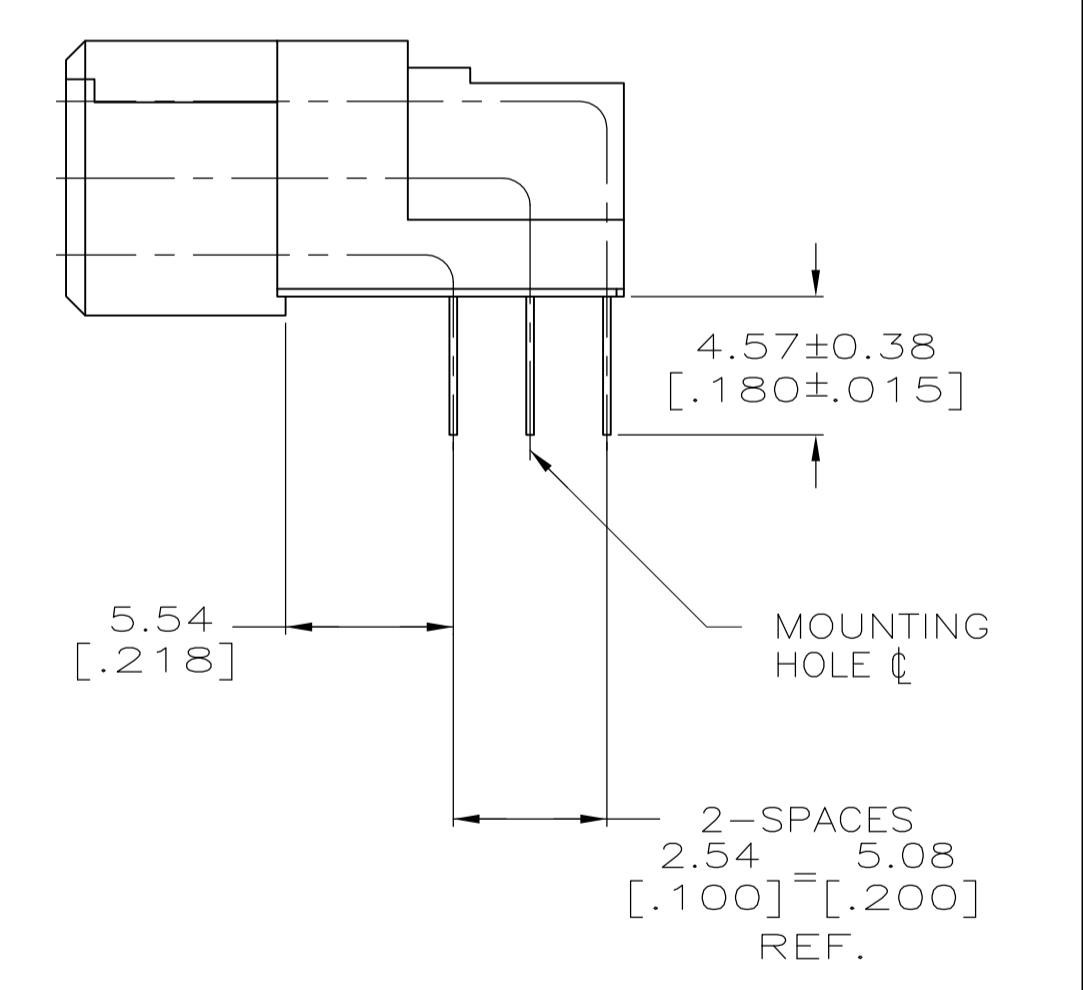
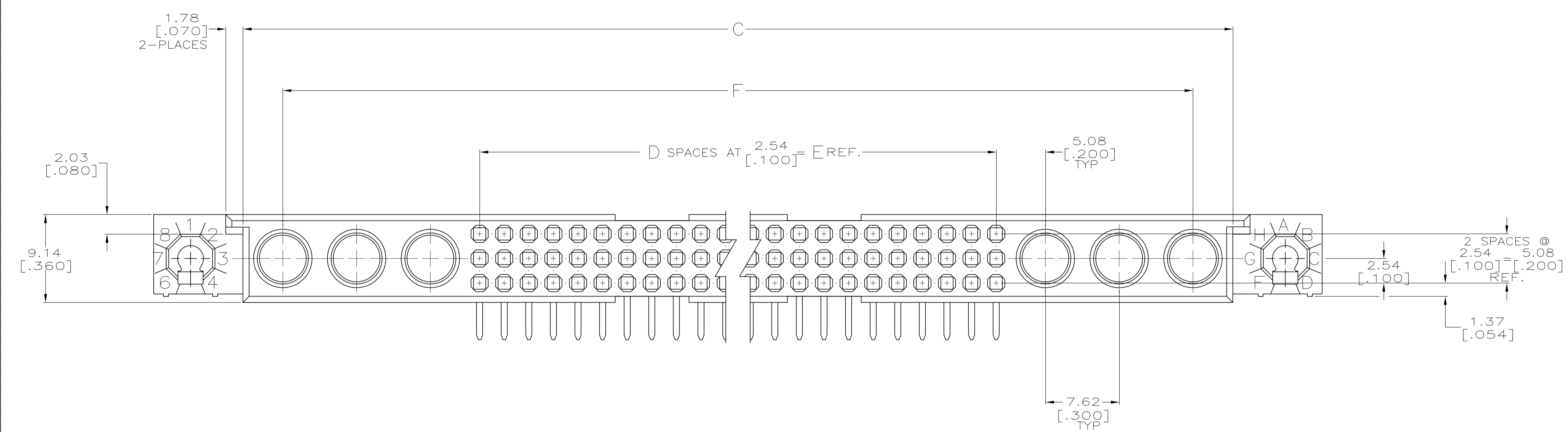


REVISIONS				
P	LTR	DESCRIPTION	DATE	APPV
A		REVISED PER ECO-15-015252	16NOV15	BJ FY



- 1 HOUSING MATERIAL: THERMOPLASTIC.
- 2 CONTACT MATERIAL: COPPER ALLOY.
- 3 FINISH:
MATING AREA: MEETS THE PERFORMANCE REQUIREMENTS OF PRODUCT SPECIFICATION 108-9063; BASED ON TELCORDIA DR-1217-CORE APPLICATIONS IN UNCONTROLLED ENVIRONMENTS.
TIN PLATED POSTS.
- 4 6.35 [.250] DIA HOLE REQUIRED WHEN USING POWER CONTACT ON WIRE.
- 5 AMP, AMP PART NUMBER & DATE CODE. THIS APPROXIMATE AREA.
- 6 SOLDER TAILS MUST FIT HOLE PATTERN AS SHOWN ON THE RECOMMENDED P.C. BOARD LAYOUT.
- 7 QUANTITIES OF VOID CORING ARE DEPENDENT ON THE POSITION SIZE OF THE HOUSING.



RECOMMENDED PC BOARD LAYOUT 6

FINISH	POWER PORTS NUMBER END	POWER PORTS LETTER END	F	E	D	C	B	A	POSN	PART NUMBER
3	3	3	73.66 [2.900]	33.02 [1.300]	13	81.89 [3.224]	92.71 [3.650]	100.33 [3.950]	42	5532901-3
2	2	2	73.66 [2.900]	48.26 [1.900]	19	81.89 [3.224]	92.71 [3.650]	100.33 [3.950]	60	5532901-2

THIS DRAWING IS A CONTROLLED DOCUMENT.		DIN 10JUN05		POLIGNONE		10JUN05		TE Connectivity	
DIMENSIONS: mm [INCHES]		TOLERANCES UNLESS OTHERWISE SPECIFIED:		APVD A SHARPE		NAME		ASSEMBLY, RECEPTACLE, RIGHT ANGLE, HDI, LEAD-FREE, 3 ROW, WITHOUT GUIDES, 4.57[.180] SOLDER POSTS, 60+4 POSITION	
0 PLC ± -		1 PLC ± -		2 PLC ± 0.13[.005]		APPLICATION SPEC		SIZE CAGE CODE DRAWING NO	
3 PLC ± -		4 PLC ± -		ANGLES ± -		WEIGHT		A1 00779 C=5532901	
MATERIAL		FINISH		CUSTOMER DRAWING		SCALE 4:1		SHEET 1 OF 1 REV A	