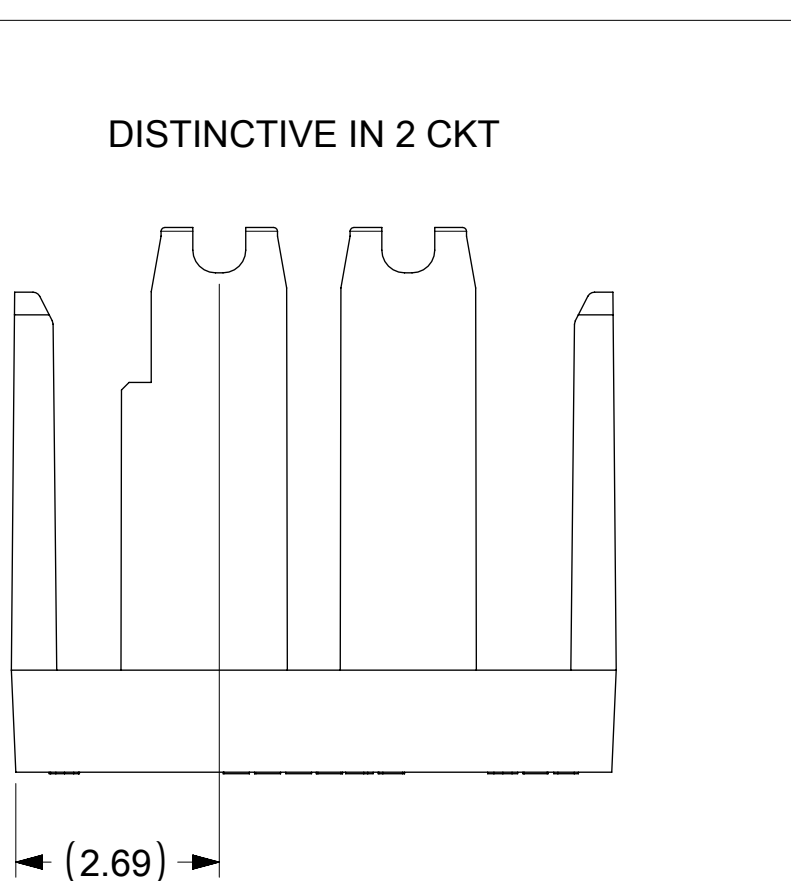
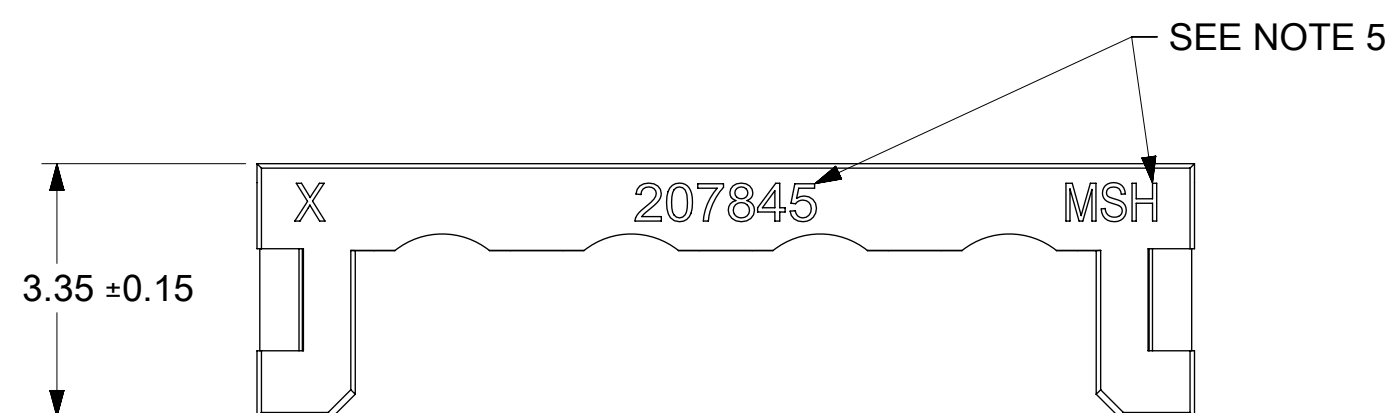


ISOMETRIC VIEW FOR 4 CKT



- NOTES:
 1. MATERIAL: PA66, RATED UL 94V-0, COLOR-NATURAL WHITE
 2. PRODUCT SPECIFICATION: 2079020001-PS
 3. PACKAGING SPECIFICATION: 2078450000-PK
 4. COSMETIC SPECIFICATION: PS-45499-002 CLASS B
 5. MOLEX LOGO AND SERIES ID

| PART NO. | CKT | DIM. C |
|------------|-----|--------|
| 2078450002 | 2 | 7.99 |
| 2078450003 | 3 | 9.89 |
| 2078450004 | 4 | 12.39 |
| 2078450005 | 5 | 14.89 |
| 2078450006 | 6 | 17.39 |
| 2078450007 | 7 | 19.89 |
| 2078450008 | 8 | 22.39 |

| | | | | | | | | | | |
|---|---------------------------------------|-----------------|---------|--|--------|--------------------------|---------|----------|----------|--------------|
| THIS DRAWING CONTAINS INFORMATION THAT IS PROPRIETARY TO MOLEX ELECTRONIC TECHNOLOGIES, LLC AND SHOULD NOT BE USED WITHOUT WRITTEN PERMISSION | | | | | | | | | | |
| SYMBOLS | | DIMENSION UNITS | | SCALE | | CURRENT REV DESC: | | | | |
| ▽ = 0 | mm | 10:1 | | EC NO: 706742 | | | | | | |
| ▽ = 0 | GENERAL TOLERANCES (UNLESS SPECIFIED) | | | DRWN: SHRUTJ 2022/04/20 | | | | | | |
| ▽ = 0 | ANGULAR TOL ± 0.5° | | | CHK'D: SHRUTJ 2022/05/13 | | | | | | |
| ▽ = 0 | 4 PLACES ± | | | APPR: ISHWARG 2022/05/13 | | PRODUCT CUSTOMER DRAWING | | | | |
| ▽ = 0 | 3 PLACES ± | | | INITIAL REVISION: | | DOCUMENT NUMBER | | | | |
| ▽ = 0 | 2 PLACES ± 0.25 | | | DRWN: SUDAYGUNAGI 2018/06/19 | | 2078450004-SD | | DOC TYPE | DOC PART | REVISION |
| ▽ = 0 | 1 PLACE ± 0.3 | | | APPR: ISHWARG 2019/04/26 | | PSD | | 000 | A1 | |
| ▽ = 0 | 0 PLACES ± | | | DRAFT WHERE APPLICABLE MUST REMAIN WITHIN DIMENSIONS | | MATERIAL NUMBER | | CUSTOMER | | SHEET NUMBER |
| ▽ = 0 | THIRD ANGLE PROJECTION | | DRAWING | | SERIES | | A2-SIZE | | 207845 | |
| | | | | | | | | | | 1 OF 1 |