

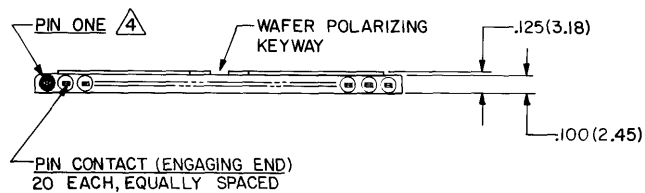
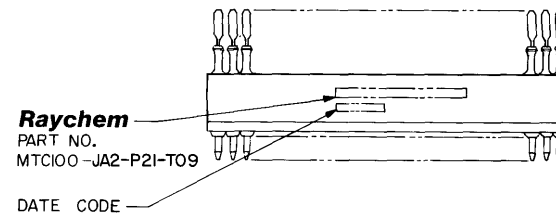
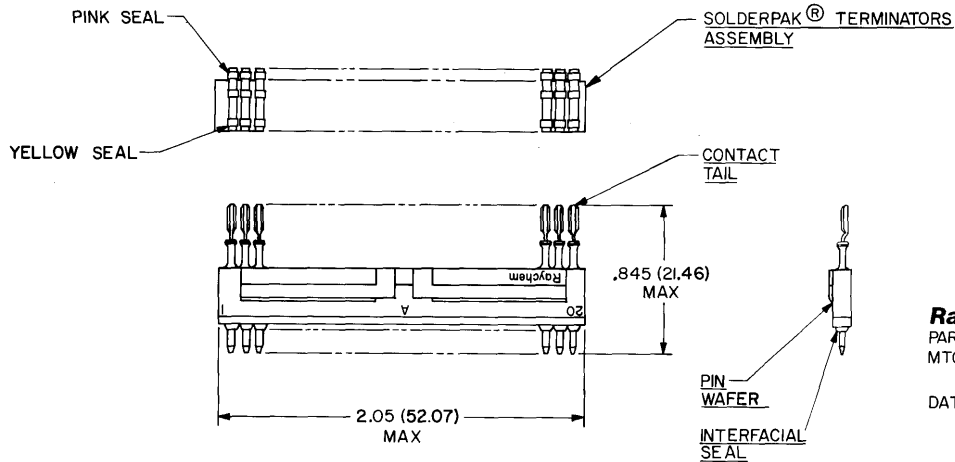
4

3

2

1

REVISIONS				
ZONE	LTR	DESCRIPTION	DATE	APPROVED
—	A	CHG'D PER DCO # T-02581	W.J. 4-22-81	Plain



5 WEIGHT (MAX.) $\frac{3}{10090}$ LBS. | GRAMS

4 PIN ONE : PIN NUMBER ONE MARKED IN CONTRASTING COLOR ON INTERFACIAL SEAL.

3. WAFER : WAFER MEETS THE REQUIREMENTS OF RAYCHEM SPECIFICATION D-6011.

2. FINISH :

2-A PIN WAFER ;	FINISH TO BE AS MOLDED.
2-B PIN CONTACT ; (ENGAGING END)	GOLD FLATE PER MIL-G-45204, CLASS 1.
2-C CONTACT TAIL ;	COATED WITH SOLDER PER QQ-S-571.

1. MATERIAL :

1-A PIN WAFER ;	HIGH GRADE POLYARYLENE THERMO-PLASTIC.
1-B PIN CONTACT ;	COPPER ALLOY PER QQ-B-613 OR QQ-C-502.
1-C INTERFACIAL SEAL ;	SILICONE ELASTOMER PER MIL-R-25988.
1-D SOLDERPAK® TERMINATORS ASSY ;	REFER TO RAYCHEM DWG. CTA-0027 FOR DATA.

© Raychem Corporation 1981

SPECIFICATION CONTROL DRAWING

UNLESS OTHERWISE SPECIFIED DIMENSIONS ARE IN INCHES BRACKETED DIMENSIONS () ARE METRIC AND TOLERANCES ARE:	DRAWN	W V J	1-15-81	Raychem <small>RAYCHEM CORPORATION 10000 WILSON AVENUE MTC100-100-00-001</small>
	CHECKED			
	APPROVED			
	APPROVED			
XXX ± .005 (0.13 M.M.)				TITLE KIT, 2" PIN WAFER "A" WITH SOLDERPAK® TERMINATORS, FOR ROUND WIRE (20-26 AWG), 150°C TEMPERATURE RATING MTC 100 SERIES
.XX ± .02 (0.51 M.M.)				
Δ ± —				
				SIZE C CODE IDENT NO. 06090 DWG. NO. MTC100-JA2-P21-T09
				WEIGHT $\frac{3}{10090}$ SHEET OF

NOTES

If this document is printed it becomes uncontrolled.
Check with the web for latest revision.

DO NOT SCALE THIS DRAWING