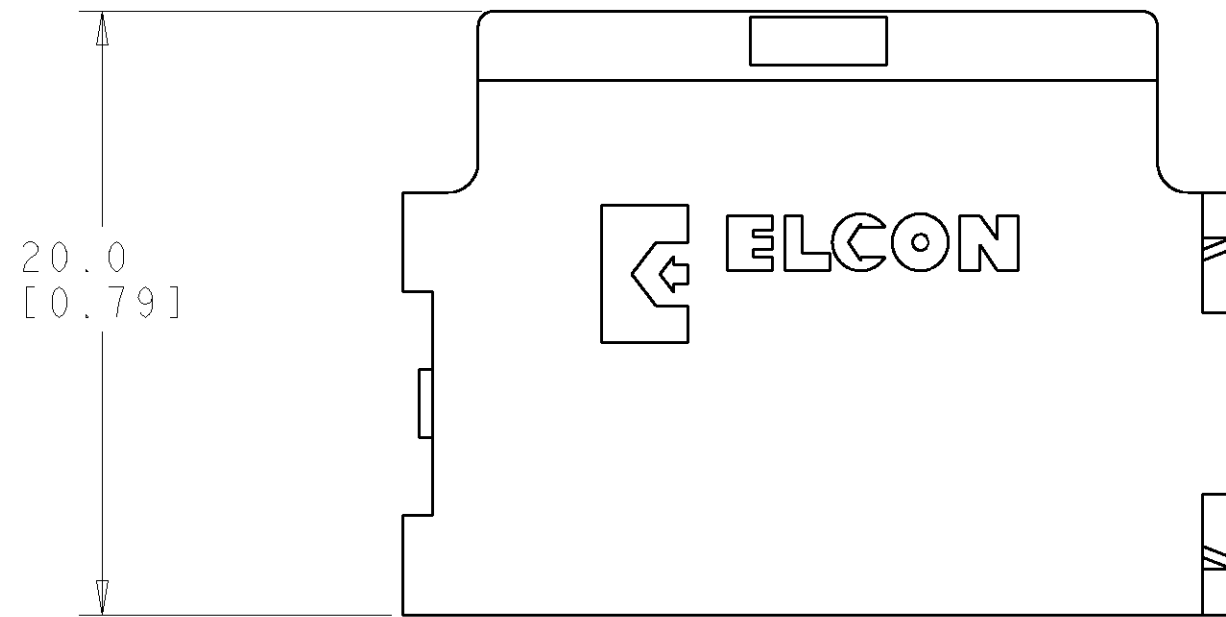


THIS DRAWING IS UNPUBLISHED. RELEASED FOR PUBLICATION 20  
 © COPYRIGHT 20 BY TYCO ELECTRONICS CORPORATION. ALL RIGHTS RESERVED.

LOC	DIST	REVISIONS					
GP	00	P	LTR	DESCRIPTION	DATE	DWN	APVD
			A	RELEASED	16FEB07	RG	PD



- PART NUMBER CHANGES AND OR DESIGN CHANGES AFFECTING ITEM INTERCHANGEABILITY REQUIRE PRIOR TYCO APPROVAL AND AUTHORIZATION BY REVISION TO THIS DRAWING.
- MATERIAL:  
 INSULATORS - THERMOPLASTIC, GLASS REINFORCED, COLOR: BLACK  
 UL94V-0 FLAMMABILITY RATED.  
 SIGNAL CONTACTS - BRASS ALLOY,
- FINISH:  
 CONTACTS - GOLD PLATE 0.76 MICROMETERS MIN. THK., OVER NICKEL  
 1.27 MICROMETERS MIN. THK  
 SOLDER TAILS, TIN 3.05 MICROMETERS MIN. THK. OVER NICKEL  
 1.27 MICROMETERS MIN. THK
- ITEMS PROVIDED TO THIS SPECIFICATION TO BE PERMANENTLY IDENTIFIED ON THE CONTAINER PER THE FOLLOWING IDENTIFIER LABEL

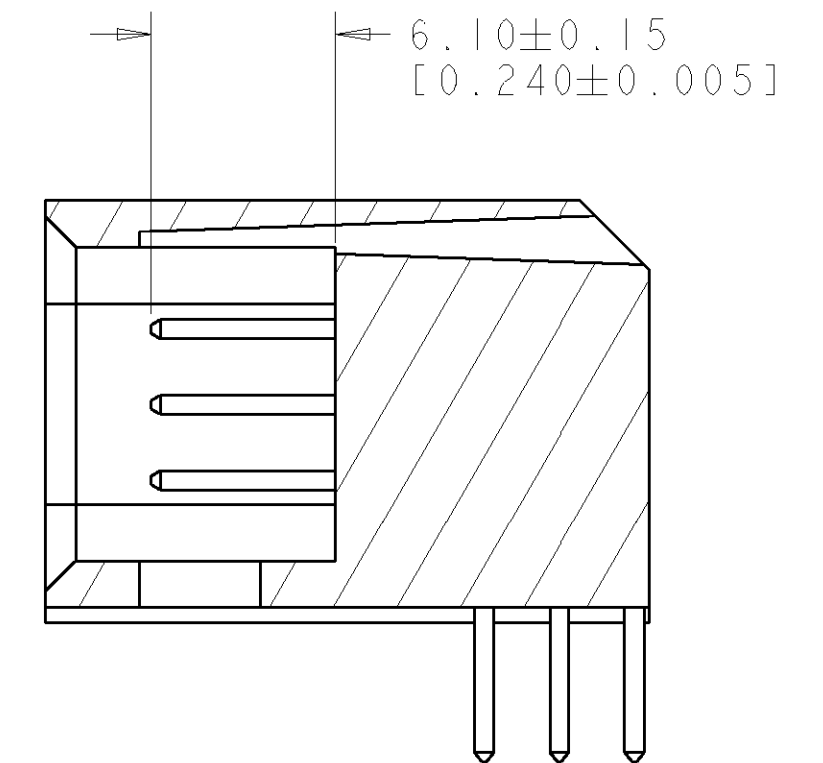
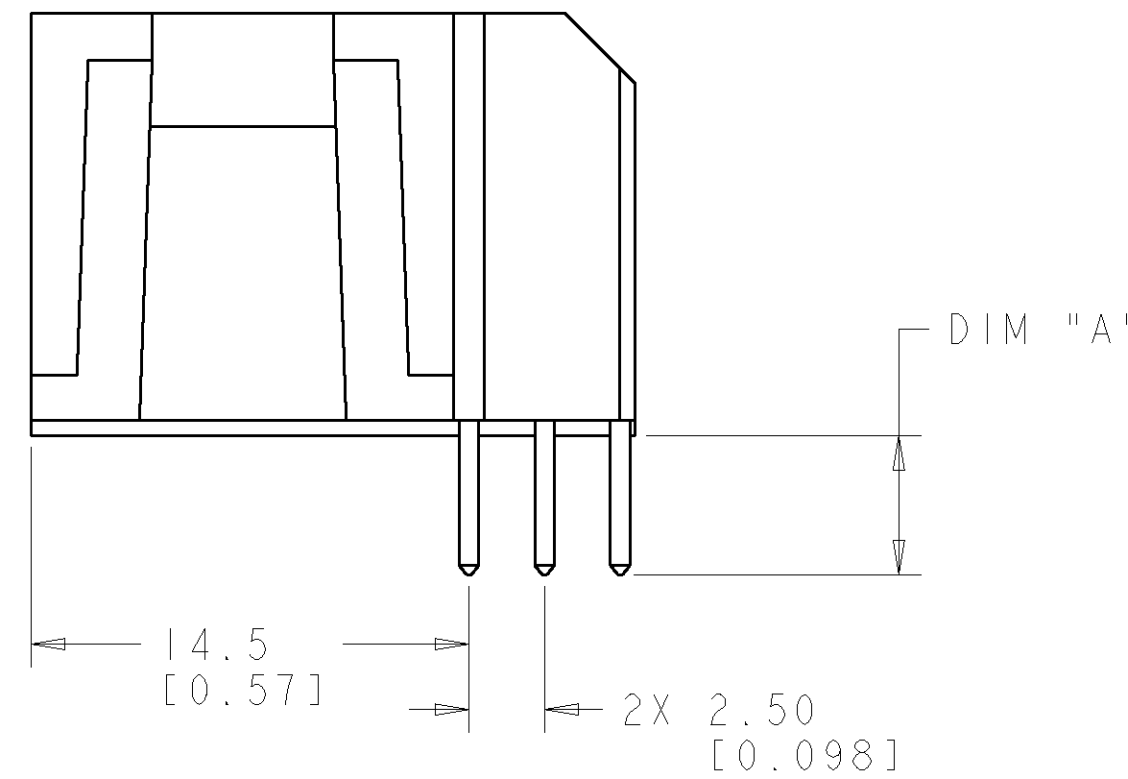
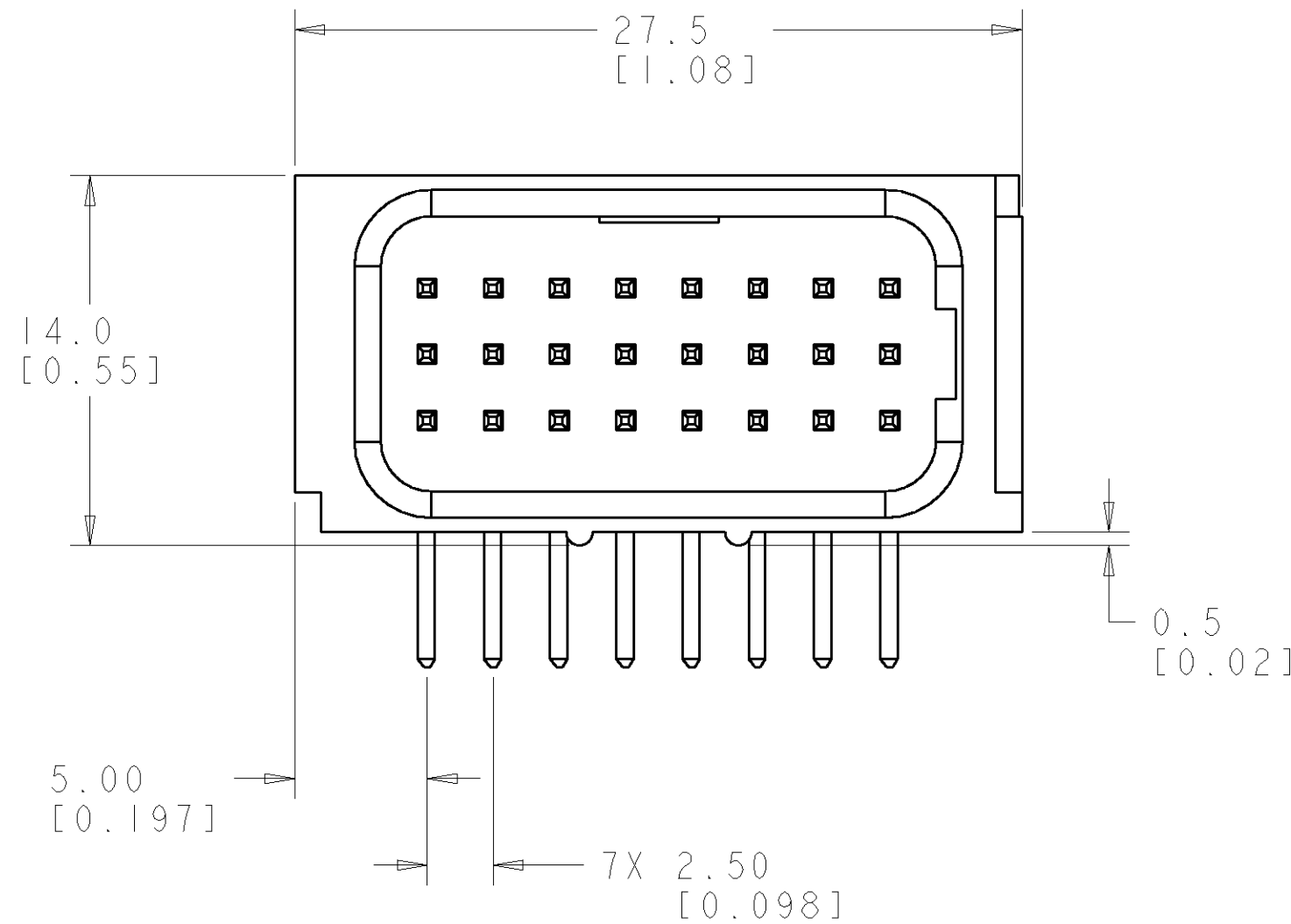
YEAR WEEK

TYCO PART NO.

DATE CODE (e.g. 0106)

XXXXXXXX-X

XXXX



SECTION Z-Z  
 GENDER CHANGER REMOVED  
 FOR CLARITY

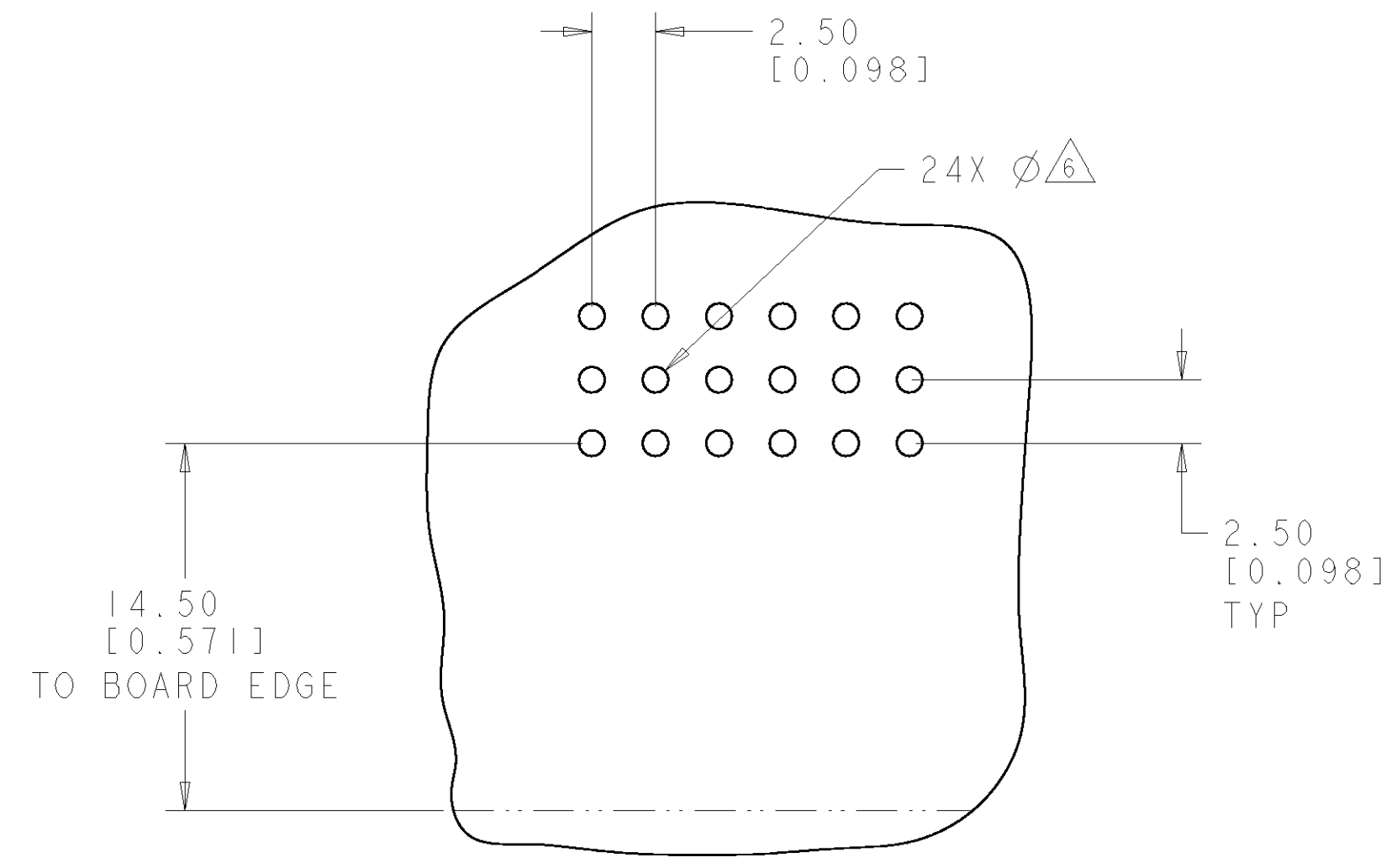
3.56-2.54 [.140-.100]	6648522-2
5.08-4.06 [.200-.160]	6648522-1
DIM "A"	PART NUMBER

ELCON FLATPAQ

DIMENSIONS:		TOLERANCES UNLESS OTHERWISE SPECIFIED:		APPROVED:		TYCO ELECTRONICS	
mm [INCHES]		0 PLC ±.3		DWN R. GRZYBOWSKI 16FEB07		Tyco Electronics Harrisburg, PA 17105-3608	
		1 PLC ±.3		CHK P. DAMATO 16FEB07		NAME PIN CONNECTOR, RIGHT ANGLE SOLDER, FP302 FLATPAQ	
		2 PLC ±.15		APVD S. FLICKINGER 16FEB07		SIZE A2	CAGE CODE 00779
		3 PLC ±.15		PRODUCT SPEC -		DRAWING NO. 6648522	RESTRICTED TO -
		4 PLC ±.15		APPLICATION SPEC -		SCALE 4:1	SHEET 1 OF 3
		ANGLES ±.5		WEIGHT -		REV A	
MATERIAL -		FINISH -		CUSTOMER DRAWING			

THIS DRAWING IS UNPUBLISHED. RELEASED FOR PUBLICATION 20  
 © COPYRIGHT 20 BY TYCO ELECTRONICS CORPORATION. ALL RIGHTS RESERVED.

LOC	DIST	REVISIONS					
GP	00	P	LTR	DESCRIPTION	DATE	DWN	APVD
		-		SEE SHEET 1	-	-	-



PRINTED CIRCUIT BOARD LAYOUT  
 COMPONENT SIDE

CONNECTOR	CATALOG MODULE #	QTY	SIZE NO.	CONTACT QTY	MATING PIN	MAX. CURRENT (PER CONTACT)	CONTACT SPACING	VOLTAGE RATING
PIN	FP302	1	22	24	.64 [.025] SQ.	3 amps	2.50 [.0984]	125

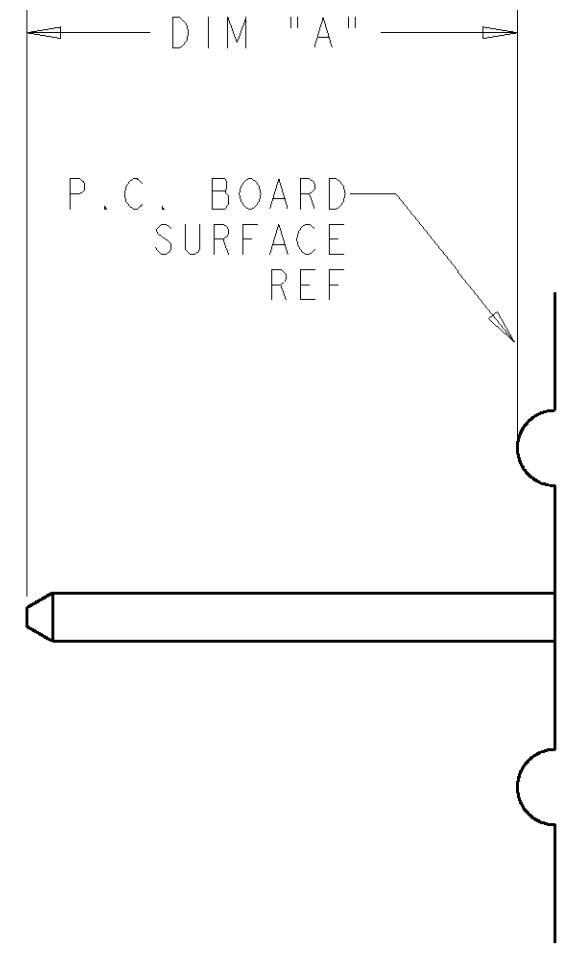
THIS DRAWING IS A CONTROLLED DOCUMENT FOR TYCO ELECTRONICS CORPORATION. IT IS SUBJECT TO CHANGE AND THE CONTROLLING ENGINEERING ORGANIZATION SHOULD BE CONTACTED FOR THE LATEST REVISION.

DWN R. GRZYBOWSKI 16FEB07	 Tyco Electronics Harrisburg, PA 17105-3608																				
CHK P. DAMATO 16FEB07																					
APVD S. FLICKINGER 16FEB07																					
NAME PIN CONNECTOR, RIGHT ANGLE SOLDER, FP302 FLATPAQ																					
DIMENSIONS: mm [INCHES]	TOLERANCES UNLESS OTHERWISE SPECIFIED:	PRODUCT SPEC -	SIZE A2	CAGE CODE 00779	DRAWING NO. 6648522	RESTRICTED TO -															
<table border="1"> <tr> <td>0 PLC</td> <td>±</td> <td>3</td> </tr> <tr> <td>1 PLC</td> <td>±</td> <td>3</td> </tr> <tr> <td>2 PLC</td> <td>±</td> <td>15</td> </tr> <tr> <td>3 PLC</td> <td>±</td> <td>15</td> </tr> <tr> <td>4 PLC</td> <td>±</td> <td>15</td> </tr> </table>	0 PLC	±	3	1 PLC	±	3	2 PLC	±	15	3 PLC	±	15	4 PLC	±	15	ANGLES ± 5	APPLICATION SPEC -	SCALE 4:1	SHEET 2	OF 3	REV A
0 PLC	±	3																			
1 PLC	±	3																			
2 PLC	±	15																			
3 PLC	±	15																			
4 PLC	±	15																			
MATERIAL -	FINISH -	WEIGHT -	CUSTOMER DRAWING																		

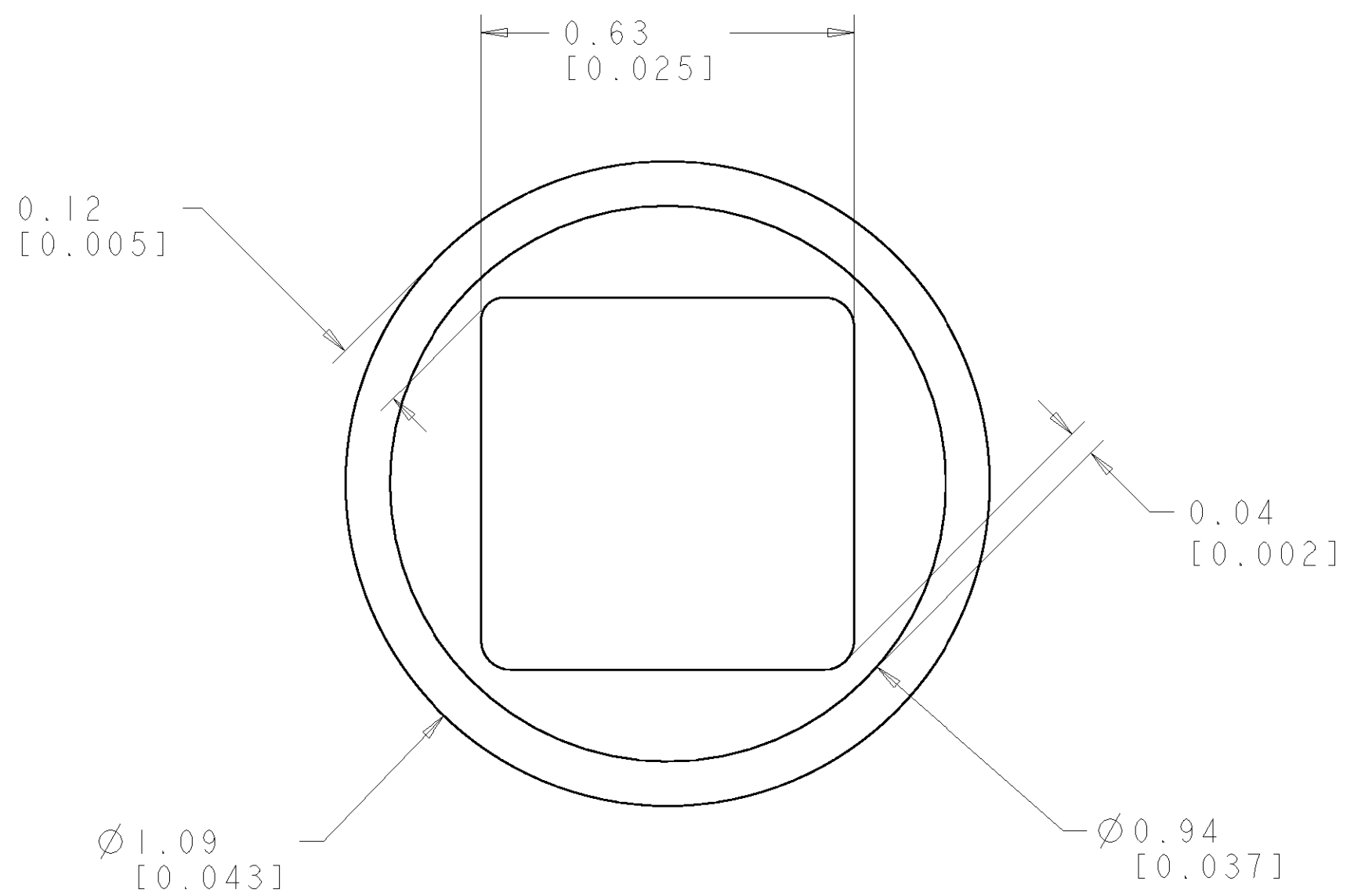
**ELCON** **FLATPAQ**

THIS DRAWING IS UNPUBLISHED. RELEASED FOR PUBLICATION 20  
 © COPYRIGHT 20 BY TYCO ELECTRONICS CORPORATION. ALL RIGHTS RESERVED.

LOC	DIST	REVISIONS			
P	LTR	DESCRIPTION	DATE	DWN	APVD
GP	00	-	SEE SHEET 1	-	-



5. SOLDER PIN DETAIL  
SCALE 10:1



6. SOLDER TERMINATION AREA  
SCALE 40:1  
 RECOMMENDED PRINTED CIRCUIT SOLDER HOLE  
 FINISHED HOLE:  $\varnothing 1.02$  [.040]  $\pm .08$  [.003]  
 DRILLED HOLE:  $\varnothing 1.15$  [.0453]  $\pm .013$  [.0005]  
 COPPER PLATE: .025 [.0010] MIN  
 TIN PLATE: .008 [.0003] MIN. (PER SURFACE)

**ELCON** **FLATPAQ**

<small>THIS DRAWING IS A CONTROLLED DOCUMENT FOR TYCO ELECTRONICS CORPORATION          IT IS SUBJECT TO CHANGE AND THE CONTROLLING ENGINEERING ORGANIZATION          SHOULD BE CONTACTED FOR THE LATEST REVISION.</small>		DWN R. GRZYBOWSKI 16FEB07 CHK P. DAMATO 16FEB07 APVD S. FLICKINGER 16FEB07	<b>tyco</b> Tyco Electronics <b>Electronics</b> Harrisburg, PA 17105-3608
DIMENSIONS: mm [INCHES]	TOLERANCES UNLESS OTHERWISE SPECIFIED: 0 PLC $\pm$ .3 1 PLC $\pm$ .3 2 PLC $\pm$ .15 3 PLC $\pm$ .15 4 PLC $\pm$ .15 ANGLES $\pm$ 5 FINISH	NAME PIN CONNECTOR, RIGHT ANGLE SOLDER, FP302 FLATPAQ	SIZE A200779
MATERIAL -	PRODUCT SPEC - APPLICATION SPEC - WEIGHT -	DRAWING NO G-6648522	RESTRICTED TO -
CUSTOMER DRAWING		SCALE 4:1	SHEET 3 OF 3 REV A