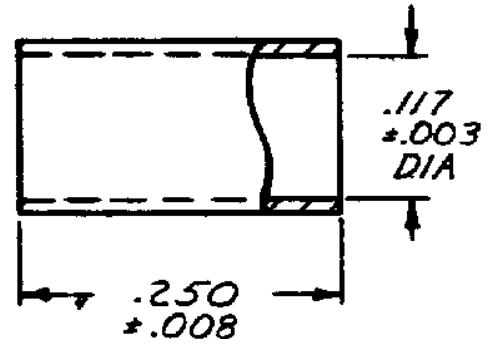


2-332056-0

RELEASED FOR PUBLICATION APRIL 5, 1981
 BY AMP INCORPORATED, HARRISBURG, PA. ALL INTERNATIONAL RIGHTS
 RESERVED. AMP PRODUCTS MAY BE COVERED BY U.S. AND FOREIGN PATENTS AND/OR PATENTS PENDING.

REVISIONS					
P	F	ALTR	DESCRIPTION	DATE	APPROVED
	✓	A	REDRAWN CB3-769	4-5-84	<i>[Signature]</i>
		A1	REVISED FOR ECO-14-016715	1-4-2015	GG/MC



- ① COPPER PER ASTM-B-152 OR ASTM-B16
- ② TIN PL PER MIL-T-10727

UNLESS OTHERWISE SPECIFIED DIMENSIONS ARE IN INCHES. DECIMALS ON: 1/16 1/32 1/64	CONTRACT NO	AMP AMP INCORPORATED Harrisburg, Pa. 17105		
	DR <i>[Signature]</i> 4-5-84	NAME		
MATERIAL	CHK <i>[Signature]</i> 4/1/84	FERRULE		
FINISH	APPRO	SIZE	FSCM NO	DRAWING NO
	①	A	00779	2-332056-0
②	DSGN APPD	SCALE	NTS	SHEET
	OTHER APPD			