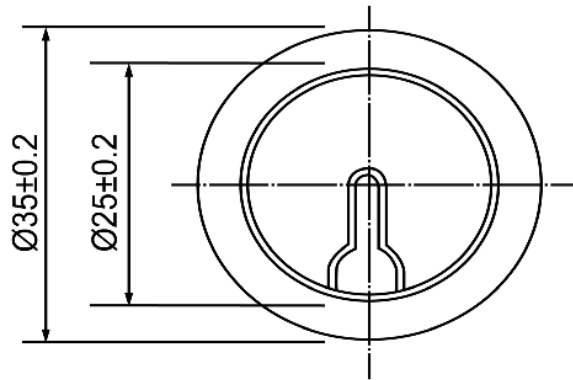
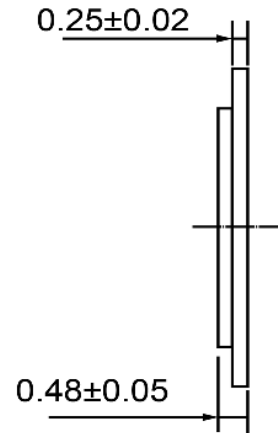



TOP VIEW**SIDE VIEW**

Specifications			Notes	Revision History					
Description	Value	Unit		Version	Description	Date	Approved		
Resonant Frequency	2,600	(Hz)	1) All dimensions are in mm unless otherwise noted 2) All parts meet RoHS	1	Released from Engineering	10/21/2013	J.S		
Resonant Impedance (Max)	200	(Ohm)							
Max Input Voltage	30	(V)							
Capacitance	36,000	(pF)							
Plate Material	Brass								
Operating Temperature	-20 ~ +60	°C							
Storage Temperature	-30 ~ +70	°C							
			 DB UNLIMITED	Drawn by	Date	Checked by	Date	Approved by	Date
				A.B.	10/21/2013	C.E.	10/21/2013	J.S	10/21/2013
				Piezo Bender		P35026-1			

Additional considerations can be found at www.dbunlimitedco.com/technical-articles.