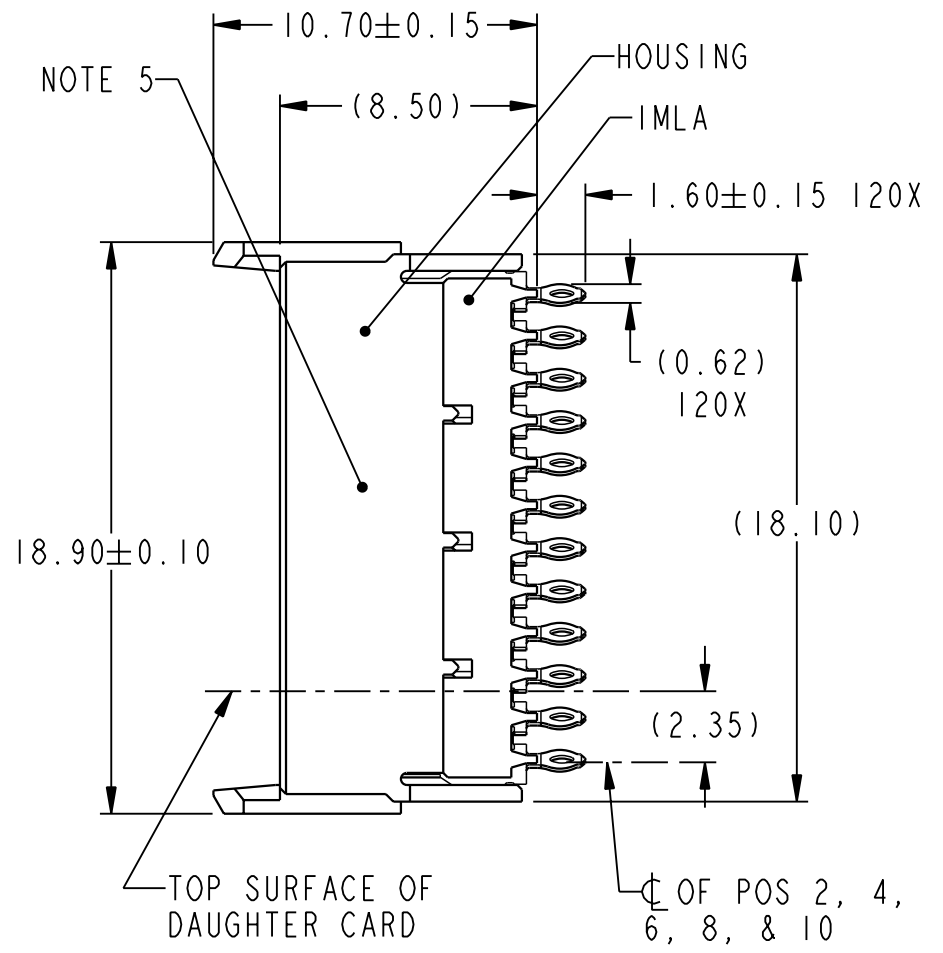
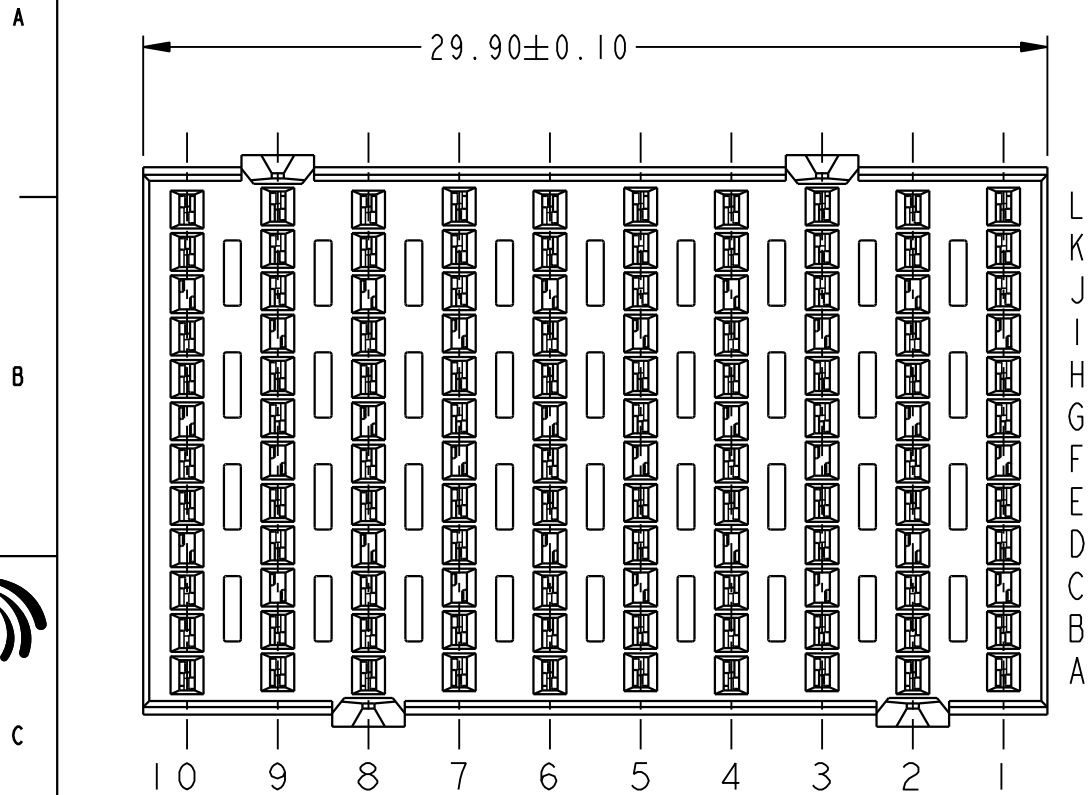


PRODUCT NUMBER
SEE TABLE, SHEET 4



Copyright FCI.

| rev | ecn no | dr | date |
|-----|----------|-----|------------|
| H | V06-0956 | WJS | 2006-09-13 |
| - | -- | -- | -- |
| C | V04-1194 | DAB | 2004-12-27 |
| D | V05-0175 | TH | 2005-03-04 |
| E | V05-0226 | MRS | 2005-03-23 |
| F | V05-0792 | SAW | 2005-08-18 |
| G | V06-0750 | WJS | 2006-08-02 |

| | | | | | |
|--------------------|-------------|---------------------------------------|--|------------|--------------|
| www.fciconnect.com | | surface - ASME Y14.5 | tolerance std <input checked="" type="checkbox"/> ASME Y14.5 | projection | MM |
| | | TOLERANCES UNLESS OTHERWISE SPECIFIED | | | |
| Dr | D. BUSH | 2004-10-13 | ANGULAR | 0.X | ±-- |
| Eng | B. MARSHALL | 2004-10-13 | LINEAR | 0.XX | ±-- |
| Chr | B. MARSHALL | 2004-10-13 | 0° | 0.XXX | ±-- |
| Appr | B. MARSHALL | 2004-10-13 | Product family AirMax VS | | Spec ref |
| | | AirMax VS VERT RECPT ASSY | | dwg no | 10035465 |
| | | PRESS-FIT, 120 POSITION, 30mm | | Rev. | H |
| | | catalog no | - | CUSTOMER | sheet 1 of 4 |

REV F - 2006-04-17

1

2

3

4

A

B

C

D

A

B

C

D

3.00 TYP

ANTIPAD WIDTH=
3.0-(4 TRACES + 3 SPACES)
TYP

3.200
TYP

1.40 TYP

0.10 TYP

SEE NOTE 9

⊕ 0.10
ALL HOLES

DETAIL A
SCALE 4:1

DIM B

(29.90)

DIM A

(1.80)

NOMINAL OUTLINE
OF CONNECTOR

(18.90)

TOP SURFACE OF
DAUGHTER CARD

(2.25)
⊕ OF POS
1, 3, 5, 7, & 9

(2.35)

⊕ OF POS
2, 4, 6, 8, & 10

DETAIL A

RECOMMENDED PCB LAYOUT
FOR DIFFERENTIAL APPLICATIONS,
COMPONENT SIDE
(TWO ADJACENT FOOTPRINTS SHOWN)
NOTES 6 & 7

| ADJACENT HEADER WIDTHS | DIM A | DIM B |
|------------------------|-------|-------|
| 30MM/30MM | 3.00 | 30.00 |
| 32MM/32MM | 5.00 | 32.00 |
| 30MM/32MM | 4.00 | 31.00 |



TITLE AirMax VS VERT RECPT ASSY
 PRESS-FIT, 120 POSITION, 30mm
 catalog no -

dwg no 10035465
 Rev. H
 CUSTOMER sheet 2 of 4

1

2

3

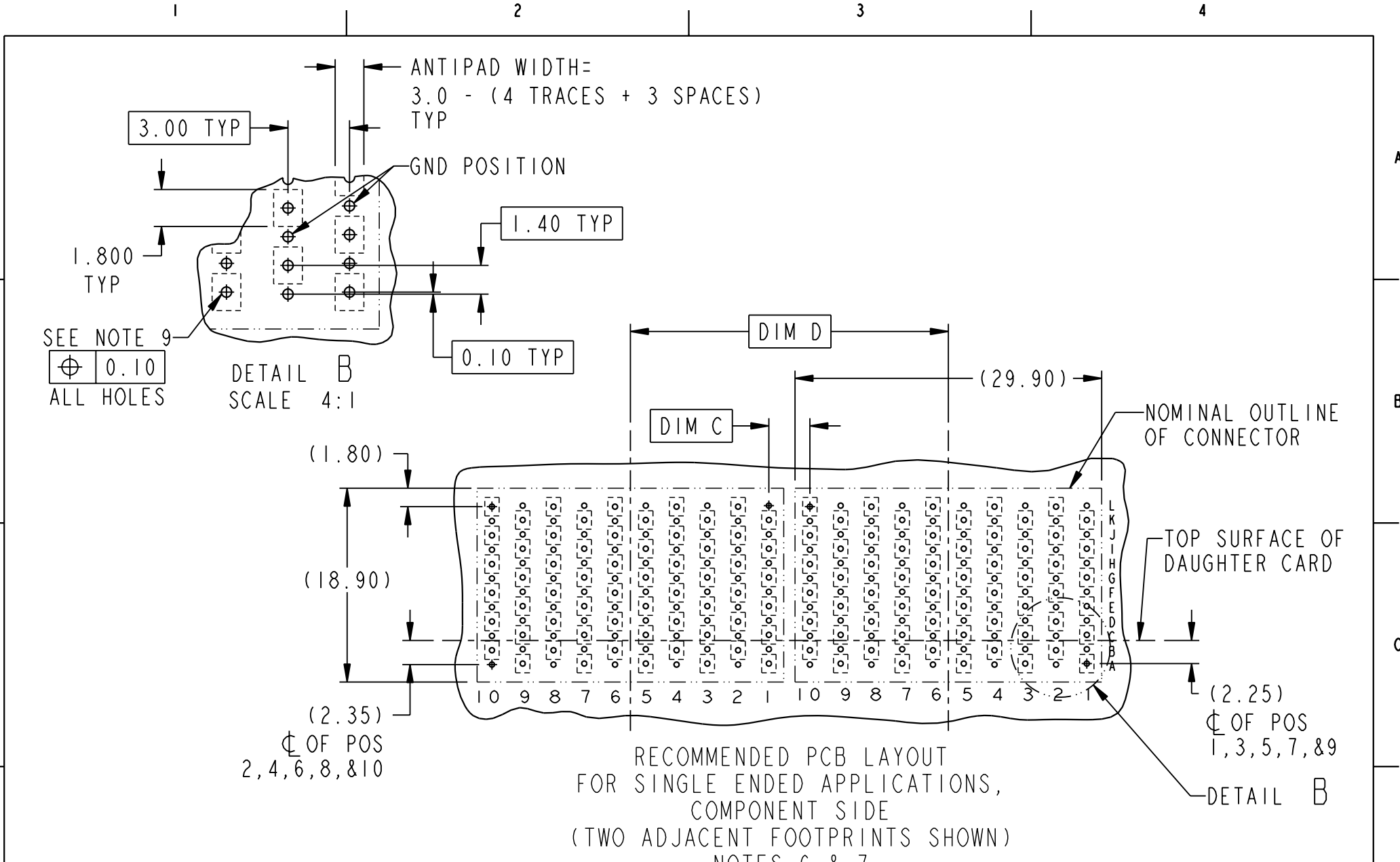
4



Copyright FCI.



Copyright FCI.



RECOMMENDED PCB LAYOUT
FOR SINGLE ENDED APPLICATIONS,
COMPONENT SIDE
(TWO ADJACENT FOOTPRINTS SHOWN)
NOTES 6 & 7

| ADJACENT HEADER WIDTHS | DIM C | DIM D |
|------------------------|-------|-------|
| 30MM/30MM | 3.00 | 30.00 |
| 32MM/32MM | 5.00 | 32.00 |
| 30MM/32MM | 4.00 | 31.00 |

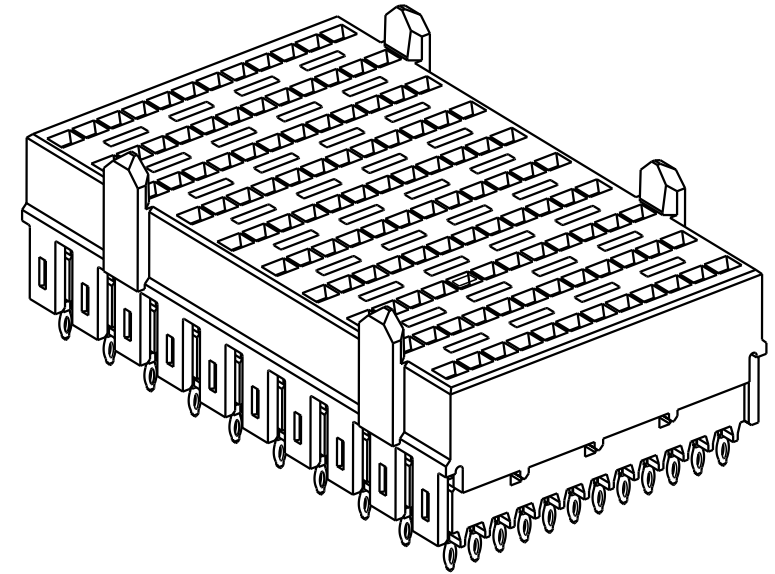
| | | | |
|--|--|-----------------|--------------|
| | TITLE AirMax VS VERT RECPT ASSY PRESS-FIT, 120 POSITION, 30mm | DWG no 10035465 | Rev. H |
| | catalog no - | CUSTOMER | sheet 3 of 4 |

REV 7 - 2000-04-17

| | |
|----------------|-----------------------------------|
| PART NUMBER | PRESS-FIT TAIL PLATING TYPE |
| 10035465-101 | TIN/LEAD ALLOY OVER NICKEL |
| 10035465-101LF | TIN OVER NICKEL (LEAD FREE) |

NOTES:

1. CONNECTOR MATERIALS:
HOUSING & RETAINER: HIGH TEMP THERMOPLASTIC, NATURAL, UL94V-0
IMLA PLASTIC: HIGH TEMP THERMOPLASTIC, BLACK, UL94V-0
CONTACT: COPPER ALLOY
2. CONTACT PLATING:
SEPARABLE INTERFACE:
PERFORMANCE-BASED PLATING, QUALIFIED TO MEET THE
REQUIREMENTS OF FCI PRODUCT SPECIFICATION GS-12-239,
INCLUDING TELCORDIA GR-1217-CORE (NOVEMBER 1995)
CENTRAL OFFICE
PRESS-FIT TAILS: SEE TABLE
3. PRODUCT SPECIFICATION: GS-12-239
4. APPLICATION SPECIFICATION: GS-20-035
5. PRODUCT MARKING, (PART NUMBER & LOT CODE), ON THIS SURFACE
6. REFER TO CUSTOMER DRAWING 10035911 FOR INFORMATION REGARDING
PCB LAYOUT OF POWER AND GUIDE MODULES RELATIVE TO SIGNAL MODULES
7. POSITIONS F OF ODD NUMBERED COLUMNS AND POSITIONS G OF EVEN NUMBERED
COLUMNS CORRESPOND TO EARLY MATE HEADER PINS
8. THERE IS NO GROUND BUSSING WITHIN THE CONNECTOR SYSTEM
9. REFER TO CUSTOMER DRAWING 10045979 FOR INFORMATION ON PCB HOLE
DIAMETERS AND PLATING OPTIONS.
10. THIS PRODUCT MEETS EUROPEAN UNION DIRECTIVES AND OTHER
COUNTRY REGULATIONS AS DESCRIBED IN GS-22-008.
11. THE HOUSING WILL WITHSTAND EXPOSURE TO 260°C
PEAK TEMPERATURE FOR 40 SECONDS IN A CONVECTION,
INFRA-RED OR VAPOR PHASE REFLOW OVEN.
12. PACKAGING MEETS GS-14-920 LEAD FREE LABELING
SPECIFICATION.



| | | | | | | |
|-----|------------|-------------------------------|--------|----------|------|--------------|
| FCI | title | AirMax VS VERT RECPT ASSY | dwg no | 10035465 | Rev. | H |
| | catalog no | PRESS-FIT, 120 POSITION, 30mm | | CUSTOMER | | sheet 4 of 4 |