

Description: 35354 GNSS Patch Antenna

PART NUMBER: ANT3535B001TGNSSA



Features:

- Size : 35x35x4mm
- High radiation efficiency
- GNSS band
- Pin-solder process
- RoHS compliant

Applications:

- GPS system
- Navigation device
- Telematics box
- Fleet management

All dimensions are in mm / inches

In the effort to improve our products, we reserve the right to make changes judged to be necessary.

CONFIDENTIAL AND PROPRIETARY INFORMATION

This document contains confidential and proprietary information of Pulse Electronics, Inc. (Pulse) and is protected by copyright, trade secret and other state and federal laws. Its receipt or possession does not convey any rights to reproduce, disclose its contents, or to manufacture, use or sell anything it may describe. Reproduction, disclosure or use without specific written authorization of Pulse is strictly forbidden.

For more information:



Pulse Worldwide Headquarters
15255 Innovation Drive #100
San Diego, CA 92128
USA
Tel:1-858-674-8100

Pulse/Larsen Antennas
18110 SE 34th St Bldg 2 Suite 250
Vancouver, WA 98683
USA
Tel: 1-360-944-7551

Europe Headquarters
Pulse GmbH & Do, KG
Zeppelinstrasse 15
Herrenberg, Germany
Tel: 49 7032 7806 0

Pulse (Suzhou) Wireless Products Co, Inc.
99 Huo Ju Road(#29 Bldg,4th Phase
Suzhou New District
Jiangsu Province, Suzhou 215009 PR China
Tel: 86 512 6807 9998

Description: 35354 GNSS Patch Antenna

PART NUMBER: ANT3535B001TGNSSA

ELECTRICAL SPECIFICATIONS

Working Frequency

BEIDOU : 1561 MHz
GPS : 1575 MHz
GLONASS : 1602 MHz

Gain(Peak)

BEIDOU 1561MHz : 5.4 dBic
GPS 1575MHz : 5.5 dBic
GLONASS 1602MHz : 5.5 dBic

Gain(Average)

BEIDOU 1561MHz : -0.68 dB
GPS 1575MHz : -0.51 dB
GLONASS 1602MHz : -0.60 dB

Polarization

RHCP

Axial Ratio

≤ 13 dB

Impedance

50 Ω

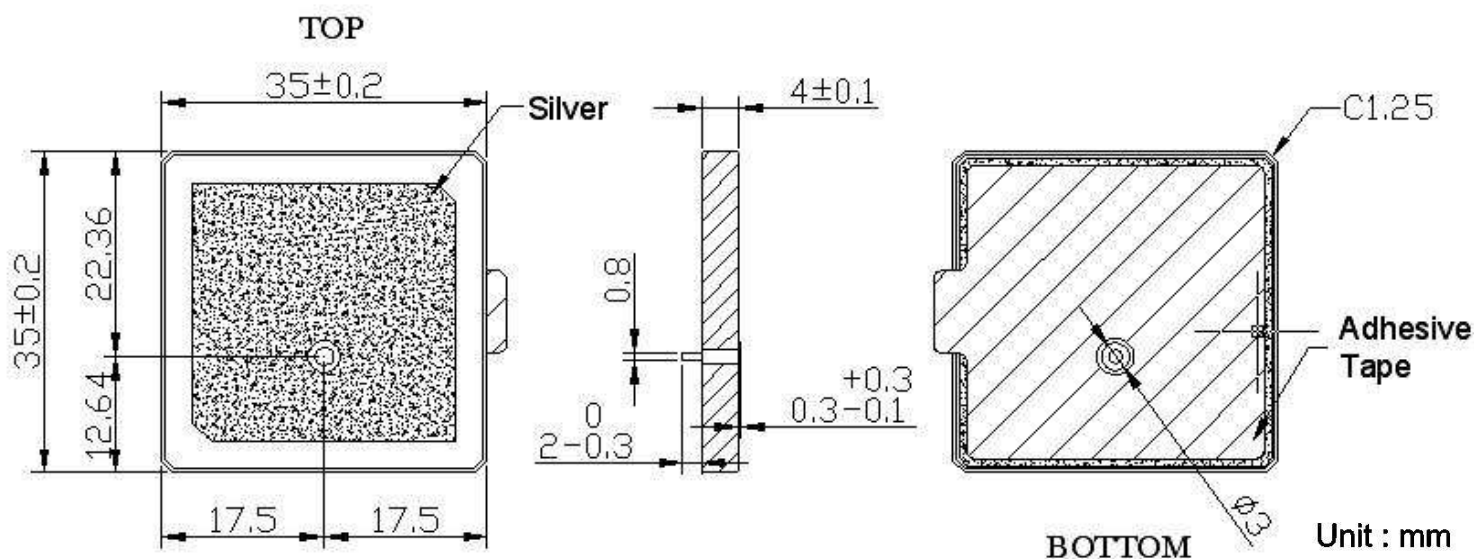
Operating Temperature

- 40 ~ 85 °C

NOTE

1. Based on 70×70 mm² square ground plane.
2. Centre frequency will be offset to working frequency while changes of customer's housing and ground plane.

MECHANICAL DRAWING



In the effort to improve our products, we reserve the right to make changes judged to be necessary.

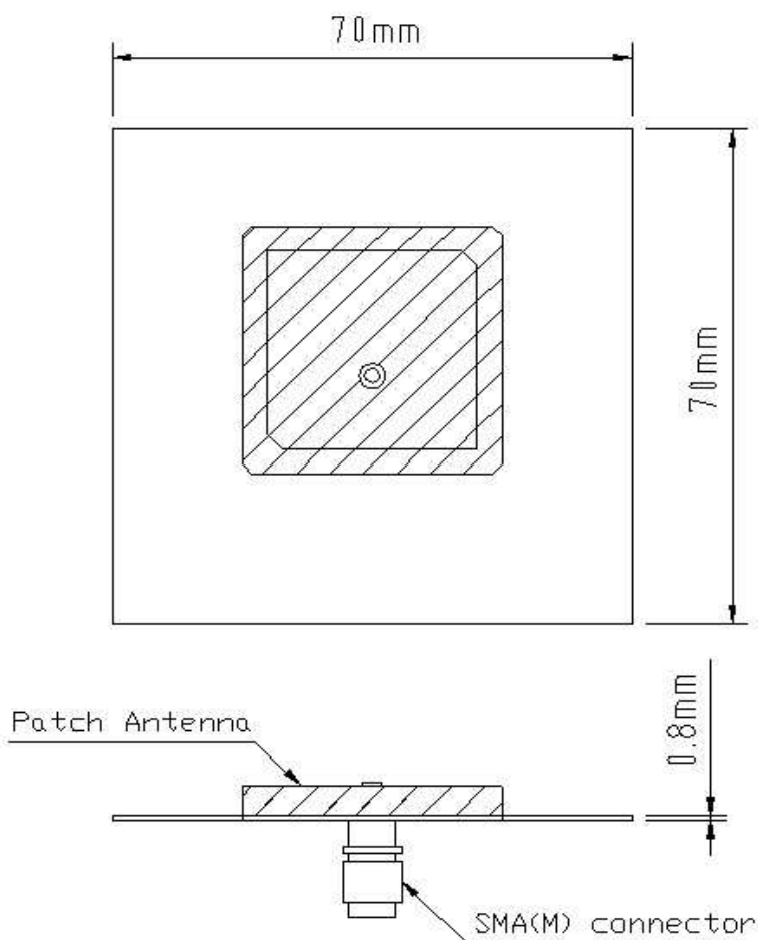
CONFIDENTIAL AND PROPRIETARY INFORMATION

This document contains confidential and proprietary information of Pulse Electronics, Inc. (Pulse) and is protected by copyright, trade secret and other state and federal laws. Its receipt or possession does not convey any rights to reproduce, disclose its contents, or to manufacture, use or sell anything it may describe. Reproduction, disclosure or use without specific written authorization of Pulse is strictly forbidden.

Description: 35354 GNSS Patch Antenna

PART NUMBER: ANT3535B001TGNSSA

REFERENCE DESIGN OF EVALUATION BOARD



Ground Plane Size: 70x70 mm²

In the effort to improve our products, we reserve the right to make changes judged to be necessary.

CONFIDENTIAL AND PROPRIETARY INFORMATION

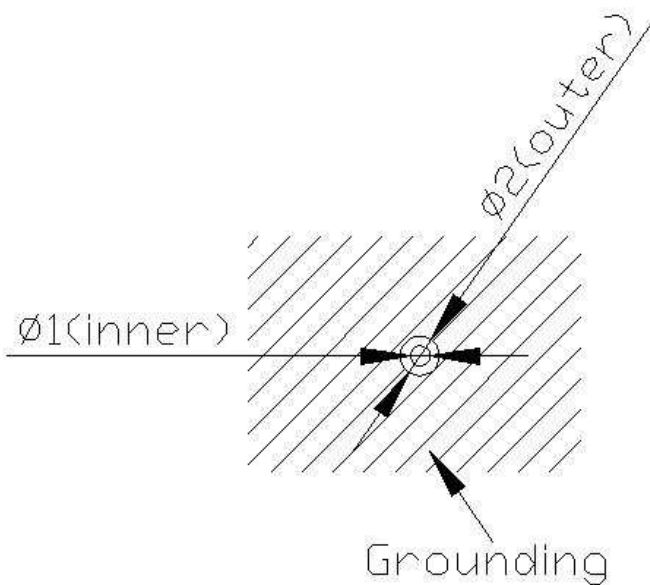
This document contains confidential and proprietary information of Pulse Electronics, Inc. (Pulse) and is protected by copyright, trade secret and other state and federal laws. Its receipt or possession does not convey any rights to reproduce, disclose its contents, or to manufacture, use or sell anything it may describe. Reproduction, disclosure or use without specific written authorization of Pulse is strictly forbidden.

Description: 35354 GNSS Patch Antenna

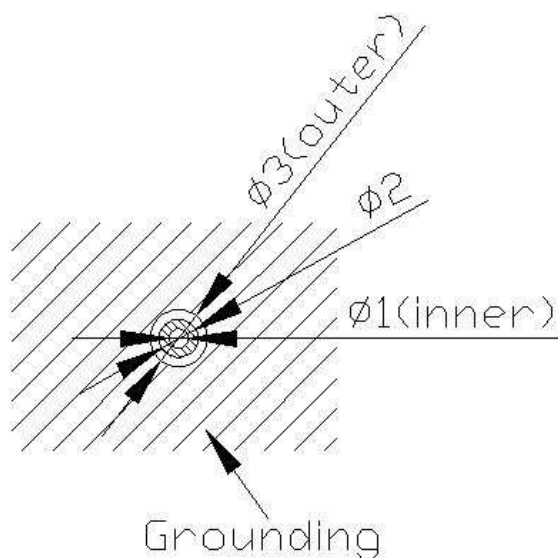
PART NUMBER: ANT3535B001TGNSSA

FOOTPRINT

Top View



Bottom View



In the effort to improve our products, we reserve the right to make changes judged to be necessary.

CONFIDENTIAL AND PROPRIETARY INFORMATION

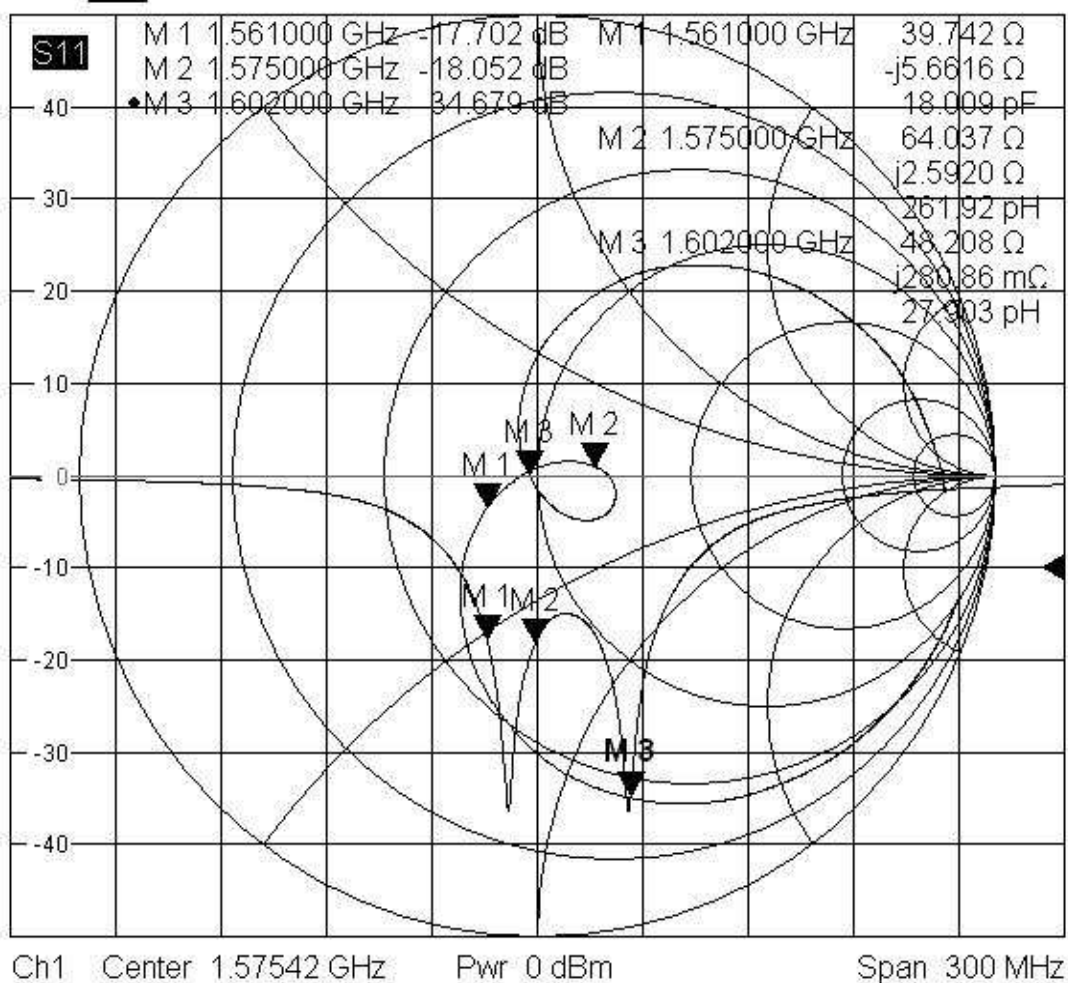
This document contains confidential and proprietary information of Pulse Electronics, Inc. (Pulse) and is protected by copyright, trade secret and other state and federal laws. Its receipt or possession does not convey any rights to reproduce, disclose its contents, or to manufacture, use or sell anything it may describe. Reproduction, disclosure or use without specific written authorization of Pulse is strictly forbidden.

Description: 35354 GNSS Patch Antenna

PART NUMBER: ANT3535B001TGNSSA

RETURN LOSS

Trc1 S11 dB Mag 10 dB / Ref -10 dB Cal int 1 of 1 (Max)
Trc2 S11 Smith Ref 1 U Cal int



In the effort to improve our products, we reserve the right to make changes judged to be necessary.

CONFIDENTIAL AND PROPRIETARY INFORMATION

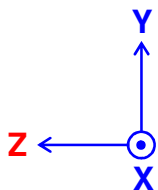
This document contains confidential and proprietary information of Pulse Electronics, Inc. (Pulse) and is protected by copyright, trade secret and other state and federal laws. Its receipt or possession does not convey any rights to reproduce, disclose its contents, or to manufacture, use or sell anything it may describe. Reproduction, disclosure or use without specific written authorization of Pulse is strictly forbidden.



Description: 35354 GNSS Patch Antenna

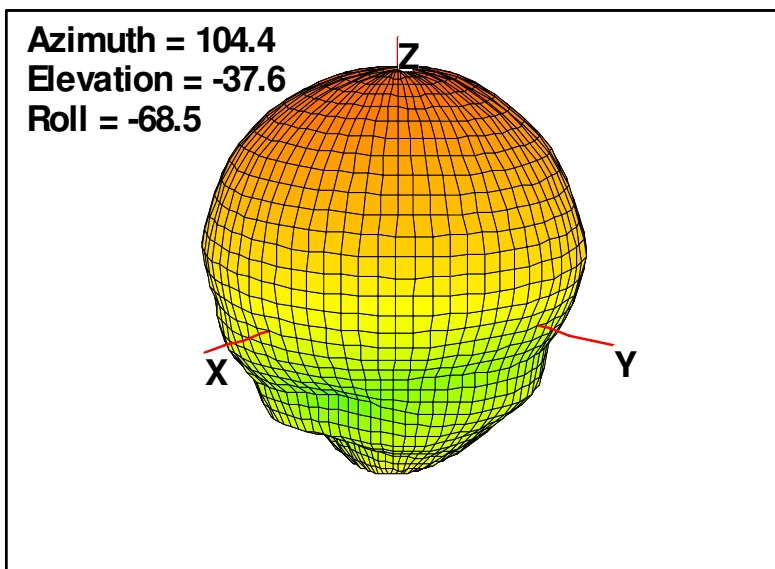
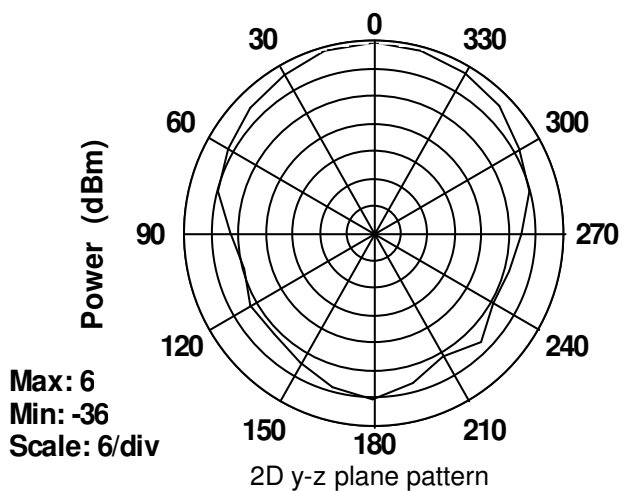
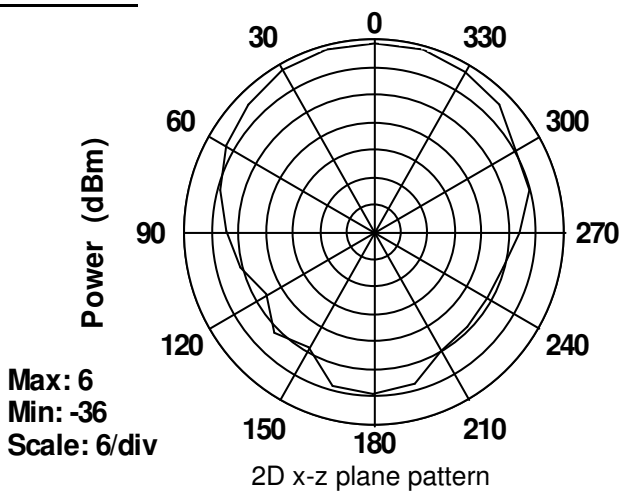
PART NUMBER: ANT3535B001TGNSSA

RADIATION PATTERN



Evaluation board and XYZ direction

1561MHz



3D radiation pattern

In the effort to improve our products, we reserve the right to make changes judged to be necessary.

CONFIDENTIAL AND PROPRIETARY INFORMATION

This document contains confidential and proprietary information of Pulse Electronics, Inc. (Pulse) and is protected by copyright, trade secret and other state and federal laws. Its receipt or possession does not convey any rights to reproduce, disclose its contents, or to manufacture, use or sell anything it may describe. Reproduction, disclosure or use without specific written authorization of Pulse is strictly forbidden.

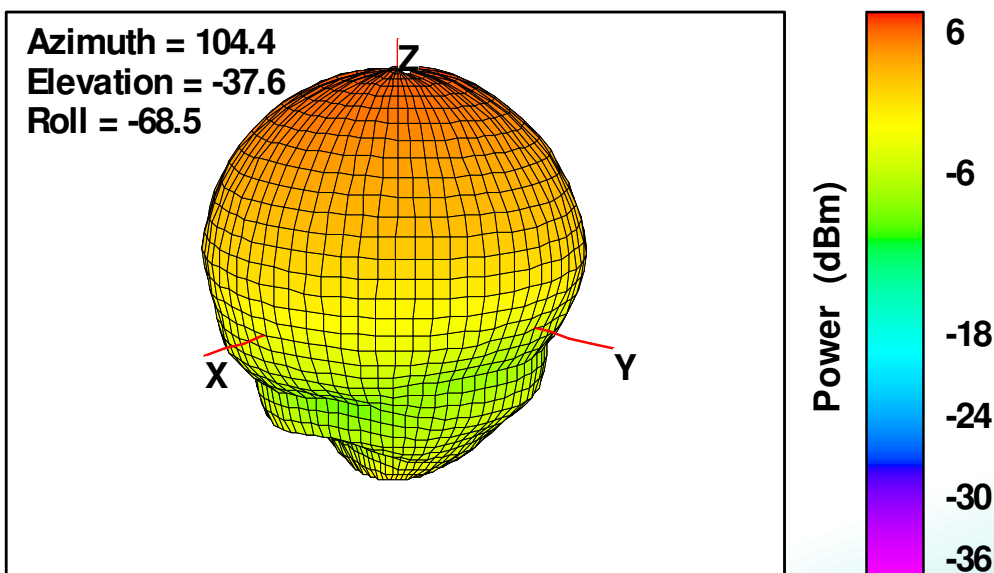
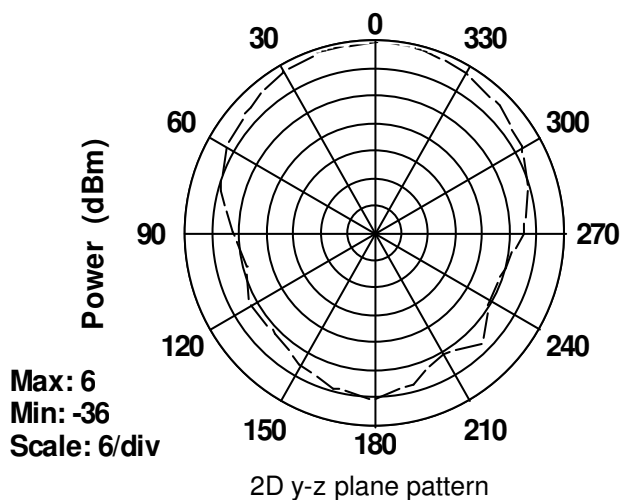
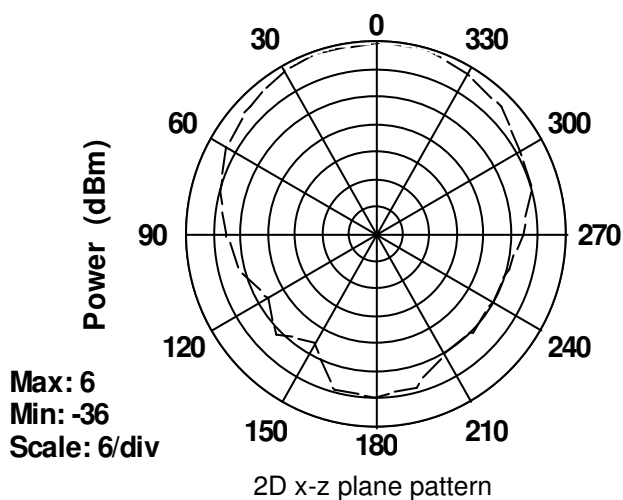


Description: 35354 GNSS Patch Antenna

PART NUMBER: ANT3535B001TGNSSA

RADIATION PATTERN

1575MHz



3D radiation pattern

In the effort to improve our products, we reserve the right to make changes judged to be necessary.

CONFIDENTIAL AND PROPRIETARY INFORMATION

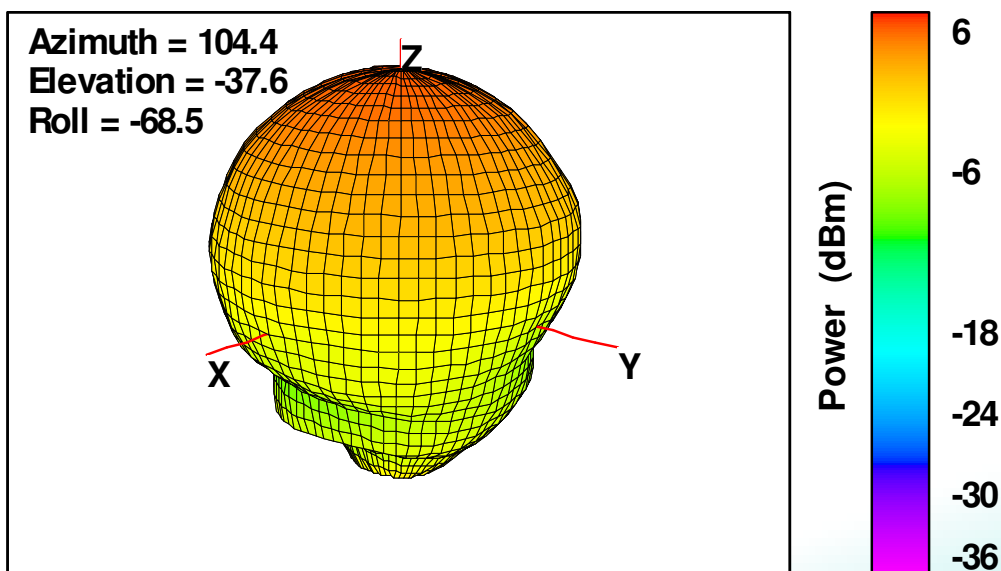
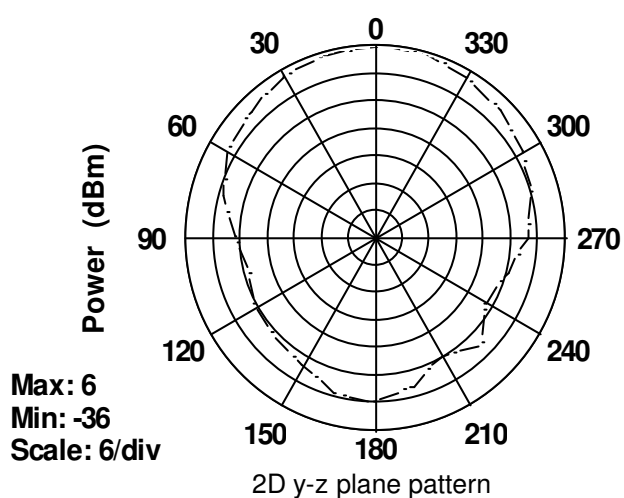
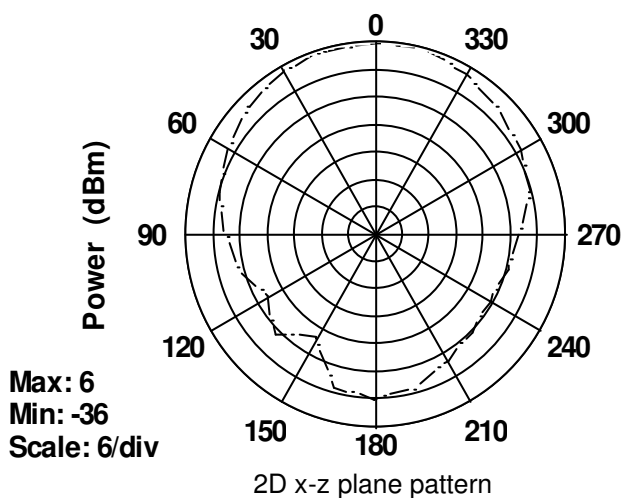
This document contains confidential and proprietary information of Pulse Electronics, Inc. (Pulse) and is protected by copyright, trade secret and other state and federal laws. Its receipt or possession does not convey any rights to reproduce, disclose its contents, or to manufacture, use or sell anything it may describe. Reproduction, disclosure or use without specific written authorization of Pulse is strictly forbidden.

Description: 35354 GNSS Patch Antenna

PART NUMBER: ANT3535B001TGNSSA

RADIATION PATTERN

1602MHz



3D radiation pattern

In the effort to improve our products, we reserve the right to make changes judged to be necessary.

CONFIDENTIAL AND PROPRIETARY INFORMATION

This document contains confidential and proprietary information of Pulse Electronics, Inc. (Pulse) and is protected by copyright, trade secret and other state and federal laws. Its receipt or possession does not convey any rights to reproduce, disclose its contents, or to manufacture, use or sell anything it may describe. Reproduction, disclosure or use without specific written authorization of Pulse is strictly forbidden.

Description: 35354 GNSS Patch Antenna

PART NUMBER: ANT3535B001TGNSSA

REVISION HISTORY

Revision	Date	Description
Version 1	May. 28, 2021	- New issue

In the effort to improve our products, we reserve the right to make changes judged to be necessary.

CONFIDENTIAL AND PROPRIETARY INFORMATION

This document contains confidential and proprietary information of Pulse Electronics, Inc. (Pulse) and is protected by copyright, trade secret and other state and federal laws. Its receipt or possession does not convey any rights to reproduce, disclose its contents, or to manufacture, use or sell anything it may describe. Reproduction, disclosure or use without specific written authorization of Pulse is strictly forbidden.

