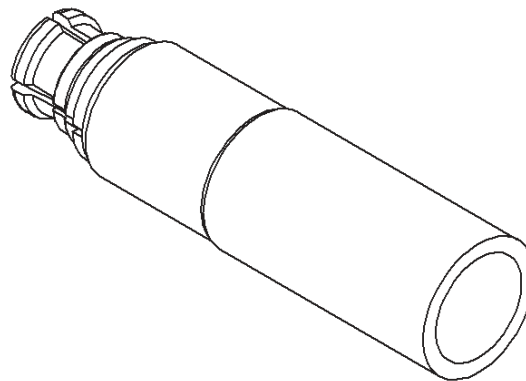
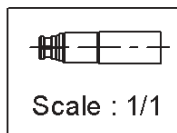
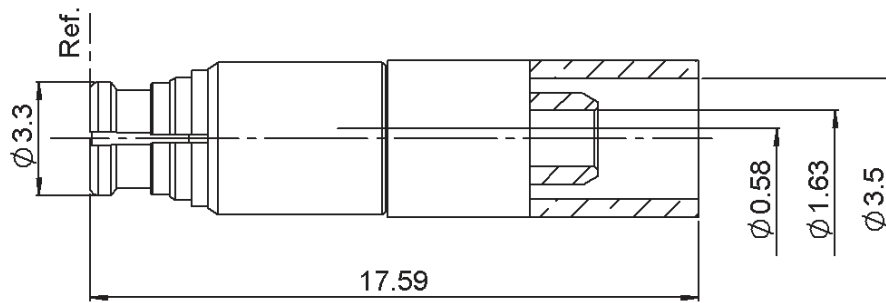
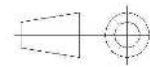


PAGE 1/2	ISSUE 1318A	SERIES SMP-COM	PART NUMBER <b>R222900140</b>
----------	-------------	----------------	-------------------------------



All dimensions are in mm.



COMPONENTS	MATERIALS	PLATING (µm)
Body	<b>BRASS</b>	<b>NPGR</b>
Center contact	<b>BERYLLIUM COPPER</b>	<b>NPGR</b>
Outer contact	<b>BERYLLIUM COPPER</b>	<b>NPGR</b>
Insulator	<b>PTFE</b>	
Gasket		
Others parts	<b>BRASS</b>	<b>NPGR</b>
-	-	-
-	-	-

PAGE 2/2	ISSUE 1318A	SERIES SMP-COM	PART NUMBER <b>R222900140</b>
----------	-------------	----------------	-------------------------------

### PACKAGING

Standard	Unit	Other
<b>100</b>	<b>Contact us</b>	<b>Contact us</b>

### ELECTRICAL CHARACTERISTICS

Impedance	<b>50</b>	Ω
Frequency	<b>*0-12.4</b>	GHz
VSWR	<b>**1.15 + 0.0000</b>	x F(GHz) Maxi
Insertion loss	<b>0.12</b>	√F(GHz) dB Maxi
RF leakage	<b>-(***55)</b>	- F(GHz) dB Maxi
Voltage rating	<b>250</b>	Veff Maxi
Dielectric withstanding voltage	<b>750</b>	Veff mini
Insulation resistance	<b>5000</b>	MΩ mini

### MECHANICAL CHARACTERISTICS

Center contact retention		
Axial force – Mating End	<b>6.8</b>	N mini
Axial force – Opposite end	<b>6.8</b>	N mini
Torque	<b>NA</b>	N.cm mini
Recommended torque		
Mating	<b>NA</b>	N.cm
Panel nut	<b>NA</b>	N.cm
Clamp nut	<b>NA</b>	N.cm
A/F clamp nut	<b>0.0000</b>	mm
Mating life	<b>100</b>	Cycles mini
Weight	<b>1.3100</b>	g

### ENVIRONMENTAL

Operating temperature	<b>-55/+125</b>	°C
Hermetic seal	<b>NA</b>	Atm.cm3/s
Panel leakage	<b>NA</b>	

### SPECIFICATION

### CABLE ASSEMBLY

Stripping	a	b	c	d	e	f
mm	<b>2.5</b>	<b>6.5</b>	<b>10.6</b>	<b>0</b>	<b>8.1</b>	<b>0</b>

Assembly instruction: **Crimp 02**

Recommended cable(s)

**RD 316**  
**K02252D**  
**ECO 316 D**

Characteristics indicated on this data sheet are those that can be achieved with the highest performance cable. Intrinsic limitations of the cable may diminish the performance of the assembly

Cable retention

- pull off	<b>110</b>	N mini
- torque	<b>NA</b>	N.cm

### TOOLING

Part Number	Description	Hexagon
R282235037	CRIMPING DIES	3.84
R282271000	CRIMPING TOOL	3.84
R282293000	CRIMPING TOOL M22520/5-01	

### OTHER CHARACTERISTICS

**\*VSWR:1.35 at 12.4 GHz**  
**\*\*VSWR: at 6GHz**  
**\*\*\*RF Leakage: -40dB min**