



PART NAME

# DPH SERIES ENCLOSURE

PART No.

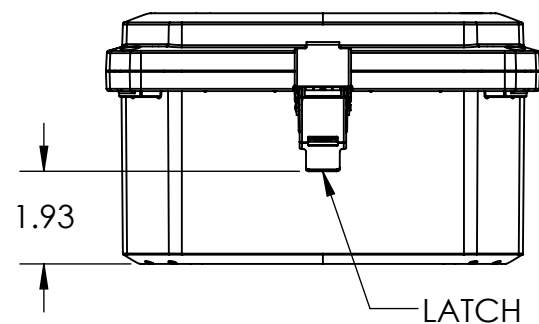
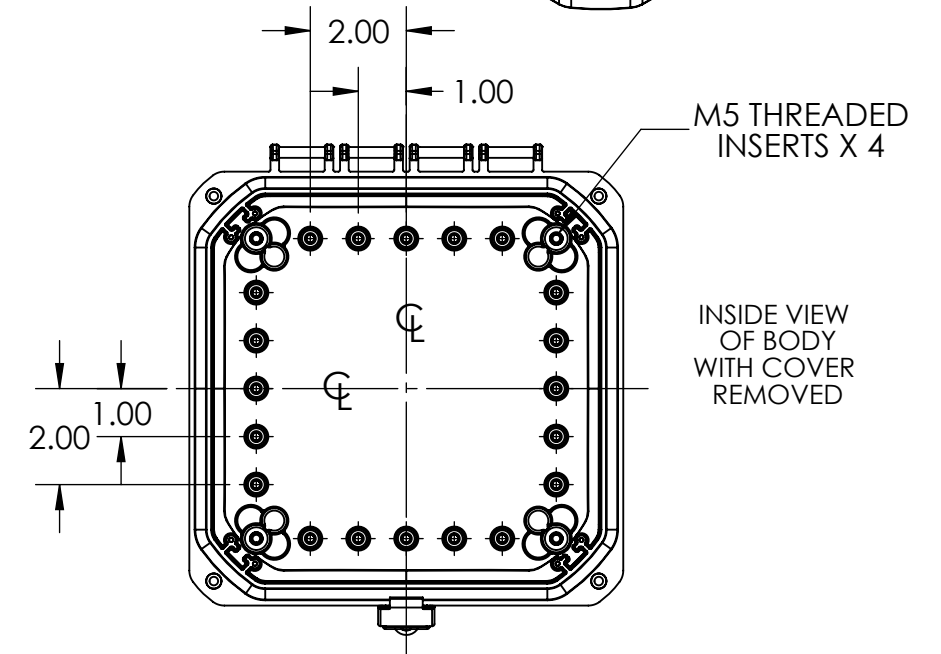
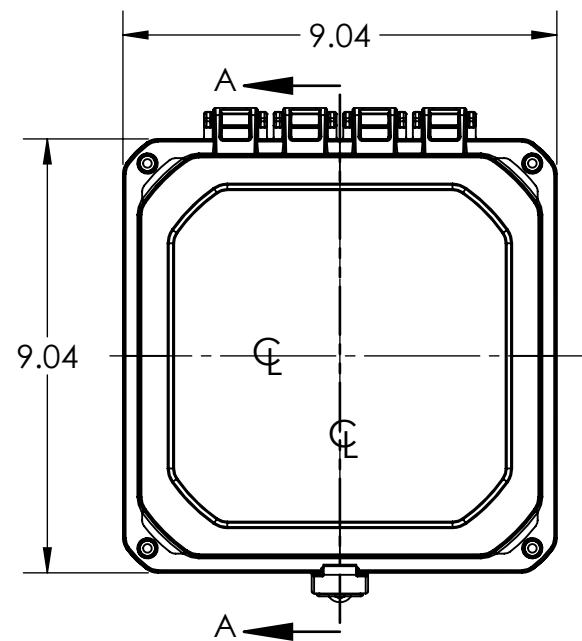
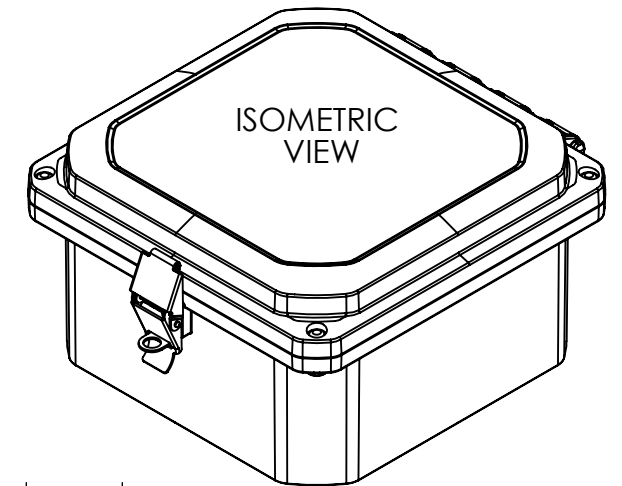
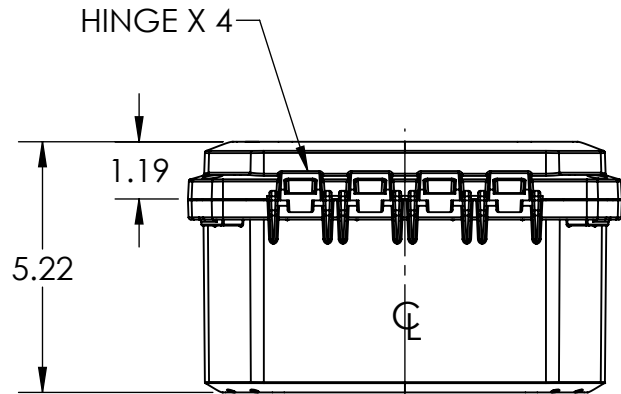
## DPH-28709 & DPH-28709-C

REVISION DATE

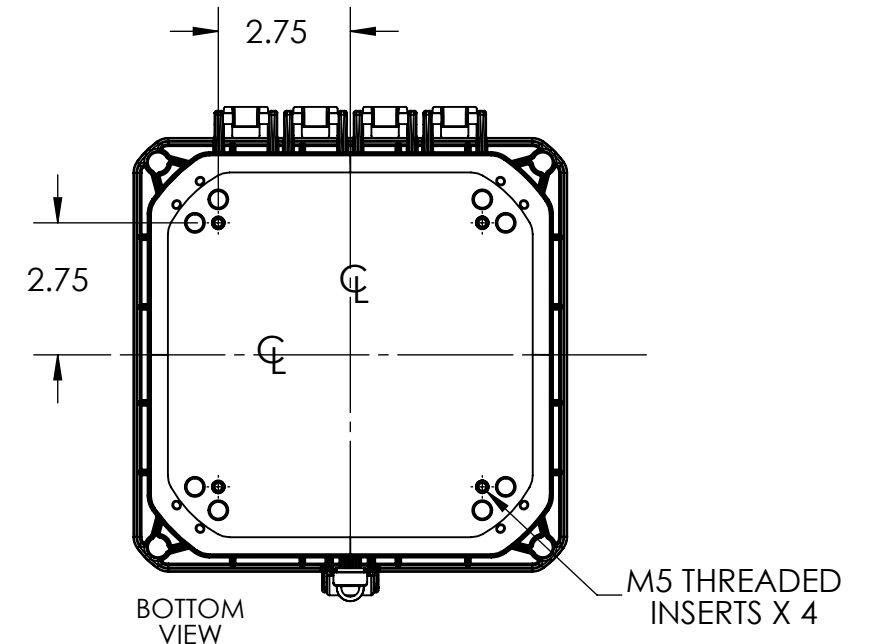
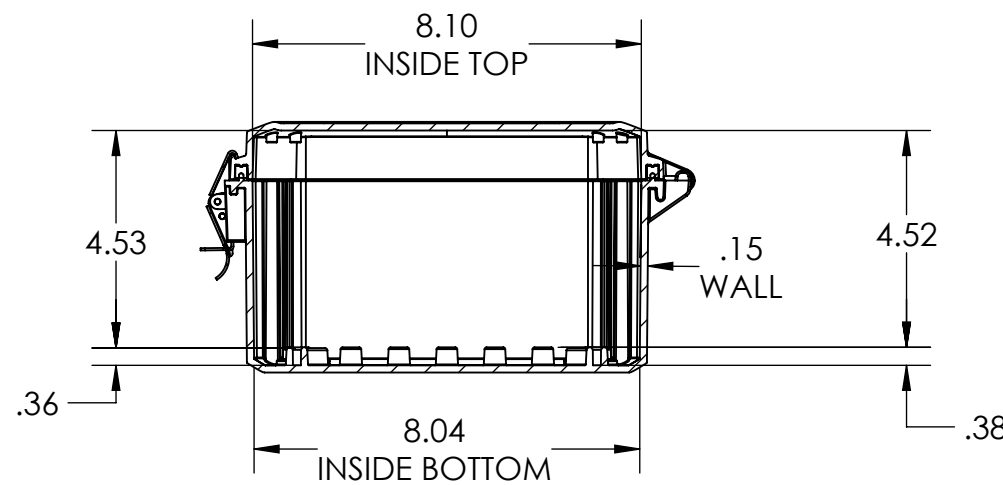
2/20/21

### NOTES:

- MATERIAL AND FLAMMABILITY RATING.  
BODY -PC LIGHT GRAY POLYCARBONATE - UL94-5VA  
COVER - PC LIGHT GRAY POLYCARBONATE - UL94-5VA  
CLEAR COVER (C) - PC CLEAR POLYCARBONATE - UL94-V0 AND TESED TO PASS 5VA PER UL746C
- FOLLOW ENCLOSED INSTRUCTION FOR UL COMPLIANCE.: BOXES UL LISTED NEMA TYPE 1, 2, 3, 3R, 4, 4X, 5, 6, 6P 12, 13. DESIGNED MEETS IP65, IP66, IP67, IP68 REQUIREMENTS. UV RESISTANT FOR OUT DOOR USE.
- OPERATING TEMPERATURE IS -35 TO 110C.
- PRE INSTALLED SILICONE GASKET IN COVER
- BOX COMES WITH 4 UNINSTALLED MOUNTING BRACKETS AND HARDWARE (DPX-100)
- OPTIONAL ACCESSORIES:
  - HINGE AND PANEL SUPPENSION KIT (DPX-444KIT)
  - 8" FLANGE KIT (2 FLANGES + 4 SCREWS) (DPX-824KIT)
  - FLOATING INTERNAL MOUNTING PANEL (DPX-287094)
  - HINGED INTERNAL MOUNTING PANEL (DPX-287092)
  - COVER MOUNTING PANEL (DPX-287093)
  - BASE INTERNAL MOUNTING PANEL (DPX-287091)
- DIMENSIONS ARE INCH



SECTION A-A  
SCALE 1 : 4



### DRAWING FOR REFERENCE

WE RESERVE THE RIGHT TO MAKE CHANGES TO OUR STANDARD PRODUCTS. PLEASE CONSULT WITH BUD INDUSTRIES PRIOR TO USING THIS DRAWING FOR DESIGN PURPOSE.