

TECHNICAL CHARACTERISTICS

MATERIAL
 CONTACT MATERIAL: COPPER ALLOY
 CONTACT TYPE: STAMPED
 CONTACT PLATING: TIN
 QUALITY CLASS: 25 MATING CYCLES

ENVIRONMENTAL
 OPERATING TEMPERATURE: -40 UP TO 85°C
 COMPLIANCE: LEAD FREE AND ROHS

ELECTRICAL
 CURRENT RATING: 1 A
 WORKING VOLTAGE: 125 VAC
 CONTACT RESISTANCE: 20 MOHM MAX

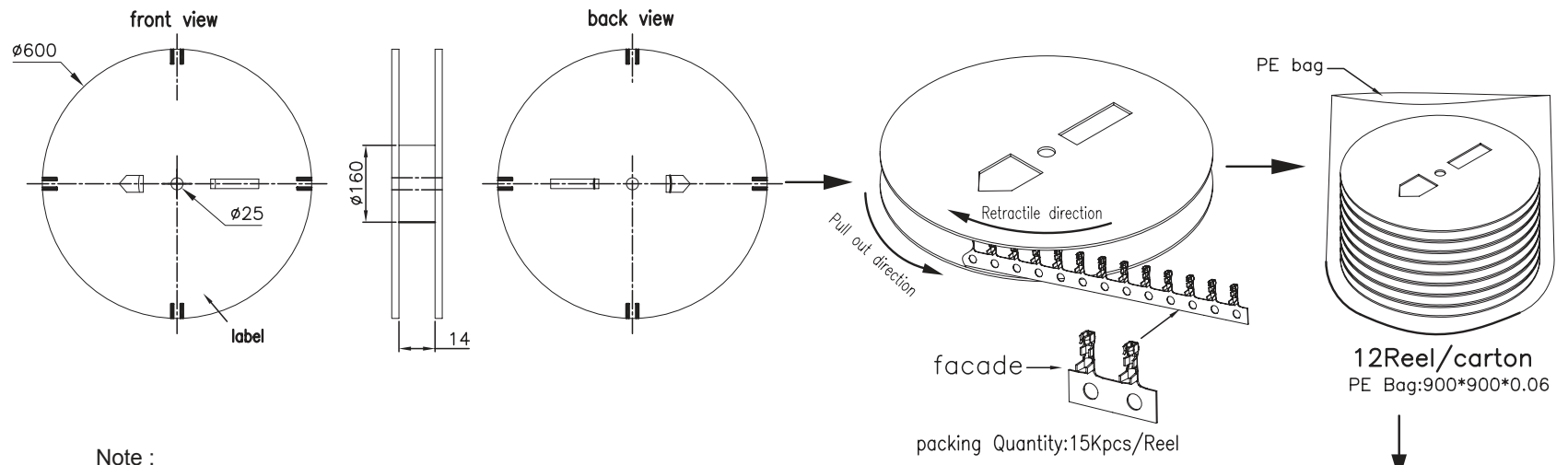
WIRE DIMENSION
 AWG: 28 - 30

PACKAGING
 15 KPCS REEL

A
 B
 C

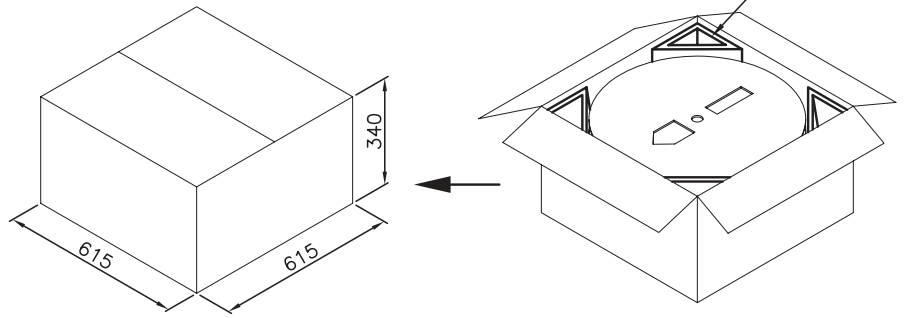
RoHS Compliant				PROJECTION: 	GENERAL TOLERANCE .X = +/- 0.2 .XX = +/- 0.15		DESCRIPTION: 1.25 MM FEMALE CRIMP TERMINAL	SIZE A4
I	06-JAN-16	DRAWING	AK					
H	19-NOV-15	WORKING VOLTAGE	AK		SCALE:			
REV	DATE	FILE	BY		SHEET: 1/3			
					DRAW: AK			

D



Note :

1. All dimensions meet EIA-481-3 requirements.
2. Material :WH Conductive polystyrene Alloy.
3. Thickness : 0.50±0.05mm.
4. Component load per reel : 15.000 pcs.
5. Reel size : diameters 160*25, T=14.
6. Reel chipboard size : diameters 600*25, T=14.
7. Bag size : 900*900*0.06.
8. Carton size : 615*615*340.



Q'tY/Reel	Reel/Carton	Q'tY/Carton
15Kpcs	12	180Kpcs

RoHS Compliant				PROJECTION: 	GENERAL TOLERANCE .X = +/- 0.2 .XX = +/- 0.15		DESCRIPTION: 1.25 MM FEMALE CRIMP TERMINAL	SIZE A4
G								
F								
E								
D				APPROVAL:	UNIT: MM	WERI PART NO: 653 001 137 22		
C					SCALE:			
B					SHEET: 2/3			
A				DRAW: MIKE				
REV	DATE	FILE	BY					

1

2

3

4

5

Cautions and Warnings:

This electronic component is designed and developed with the intention for use in general electronics equipments.

Before incorporating the components into any equipments in the field such as aerospace, aviation, nuclear control, submarine, transportation, (automotive control, train control, ship control), transportation signal, disaster prevention, medical, public information network etc. where higher safety and reliability are especially required or if there is possibility of direct damage or injury to human body, Würth Elektronik must be asked for a written approval.

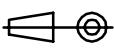

In addition, even electronic component in general electronic equipments, when used in electrical circuits that require high safety, reliability functions or performance, the sufficient reliability evaluation-check for the safety must be performed before by the user before usage.

A

B

C

RoHS Compliant

G				PROJECTION: 	GENERAL TOLERANCE .X = +/- 0.2 .XX = +/- 0.15		
F							
E							
D							
C				APPROVAL: JC	UNIT: MM	DESCRIPTION: DISCLAIMER	SIZE A4
B					SCALE:		
A	10-SEP-14	PDF	QL		SHEET: 3/3	WERI PART NO: DISCLAIMER	
REV	DATE	FILE	BY		DRAW: QL		

D