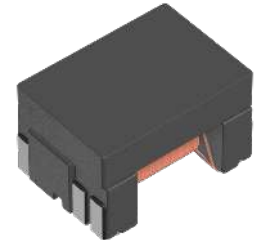


ALT4532V-201-T001



Applications	for Automotive
Product Type	Transformers
System	10/100/1000Base-T
Features	AEC-Q200 AEC-Q200 Auto Prod. Automated Production
Series	ALT
Status	Preliminary
Brand	TDK



Size	
Length(L)	4.50mm ±0.20mm
Width(W)	3.20mm ±0.20mm
Height(H)	2.90mm Max.

Electrical Characteristics	
Turns Ratio	1CT:1CT
Inductance	200µH Min. at 100kHz, DC bias 8mA
Insertion Loss	1.5dB Max. [0.1 to 100MHz]
Inter-winding Stray Capacitance	35pF
Withstanding Voltage	Compliant with IEEE 802.3, Impulse 2400V 1.2/50µs

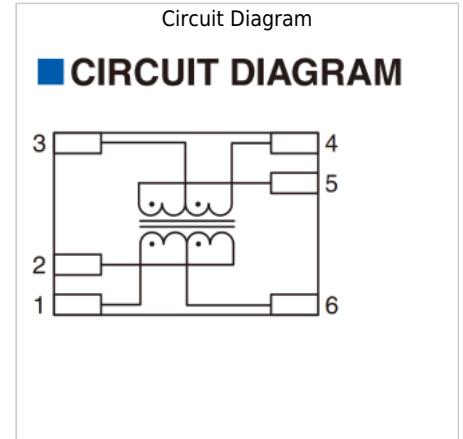
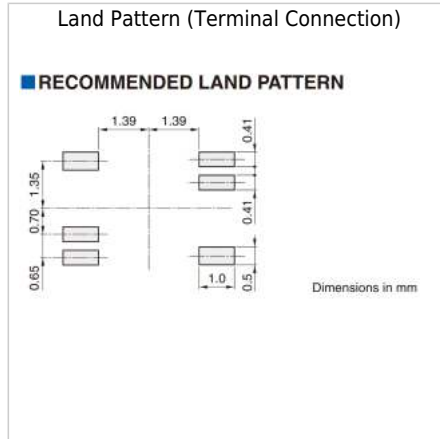
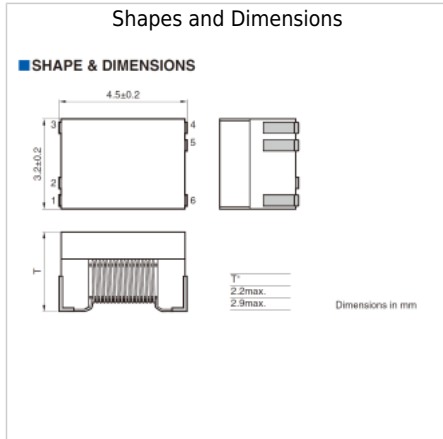
Other	
Operating Temp. Range	-40 to 105°C
AEC-Q200	Yes
Packing	Blister (Plastic)Taping [330mm Reel]
Package Quantity	2000pcs
Weight	0.16g

! Images are for reference only and show exemplary products.
 ! This PDF document was created based on the data listed on the TDK Corporation website.
 ! All specifications are subject to change without notice.

ALT4532V-201-T001



Associated Images



! Images are for reference only and show exemplary products.
! This PDF document was created based on the data listed on the TDK Corporation website.
! All specifications are subject to change without notice.