

# CDCV850

## 2.5-V PHASE LOCK LOOP CLOCK DRIVER WITH 2-LINE SERIAL INTERFACE

SCAS647D – OCTOBER 2000 – REVISED APRIL 2013

- **Phase-Lock Loop Clock Driver for Double Data-Rate Synchronous DRAM Applications**
- **Spread Spectrum Clock Compatible**
- **Operating Frequency: 60 to 140 MHz**
- **Low Jitter (cyc–cyc):  $\pm 75$  ps**
- **Distributes One Differential Clock Input to Ten Differential Outputs**
- **Two-Line Serial Interface Provides Output Enable and Functional Control**
- **Outputs Are Put Into a High-Impedance State When the Input Differential Clocks Are <20 MHz**
- **48-Pin TSSOP Package**
- **Consumes <250- $\mu$ A Quiescent Current**
- **External Feedback Pins (FBIN,  $\overline{\text{FBIN}}$ ) Are Used to Synchronize the Outputs to the Input Clocks**

### description

The CDCV850 is a high-performance, low-skew, low-jitter zero delay buffer that distributes a differential clock input pair (CLK,  $\overline{\text{CLK}}$ ) to ten differential pairs of clock outputs (Y[0:9],  $\overline{\text{Y}}[0:9]$ ) and one differential pair of feedback clock outputs (FBOU,  $\overline{\text{FBOU}}$ ). The clock outputs are controlled by the clock inputs (CLK,  $\overline{\text{CLK}}$ ), the feedback clocks (FBIN,  $\overline{\text{FBIN}}$ ), the 2-line serial interface (SDATA, SCLK), and the analog power input (AV<sub>DD</sub>). A two-line serial interface can put the individual output clock pairs in a high-impedance state. When the AV<sub>DD</sub> terminal is tied to GND, the PLL is turned off and bypassed for test purposes.

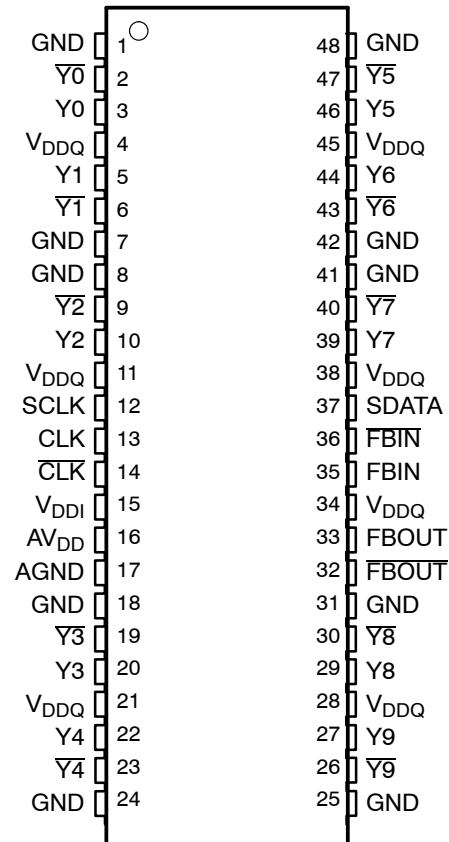
The device provides a standard mode (100 Kbits/s) 2-line serial interface for device control. The implementation is as a slave/receiver. The device address is specified in the 2-line serial device address table. Both of the 2-line serial inputs (SDATA and SCLK) provide integrated pullup resistors (typically 100 k $\Omega$ ).

Two 8-bit, 2-line serial registers provide individual enable control for each output pair. All outputs default to enabled at powerup. Each output pair can be placed in a high-impedance mode, when a low-level control bit is written to the control register. The registers must be accessed in sequential order (i.e., random access of the registers not supported). The serial interface circuit can be supplied with either 2.5 V or 3.3 V (at VDDI) in applications where this programming option is not required (after power up, all output pairs will then be enabled).

When the input frequency falls below a suggested detection frequency that is below 20 MHz (typically 10 MHz), the output pairs are put into a high-impedance condition, the PLL is shut down, and the device will enter a low power mode. The CDCV850 is also able to track spread spectrum clocking for reduced EMI.

Since the CDCV850 is based on PLL circuitry, it requires a stabilization time to achieve phase-lock of the PLL. This stabilization time is required following power up, as well as changes to various 2-line serial registers that affect the PLL. The CDCV850 is characterized in a temperature range from –40°C to 85°C.

**DGG PACKAGE  
(TOP VIEW)**



Please be aware that an important notice concerning availability, standard warranty, and use in critical applications of Texas Instruments semiconductor products and disclaimers thereto appears at the end of this data sheet.

PRODUCTION DATA information is current as of publication date. Products conform to specifications per the terms of Texas Instruments standard warranty. Production processing does not necessarily include testing of all parameters.



POST OFFICE BOX 655303 • DALLAS, TEXAS 75265

Copyright © 2002, Texas Instruments Incorporated

# CDCV850

## 2.5-V PHASE LOCK LOOP CLOCK DRIVER

### WITH 2-LINE SERIAL INTERFACE

SCAS647D – OCTOBER 2000 – REVISED APRIL 2013

#### AVAILABLE OPTIONS

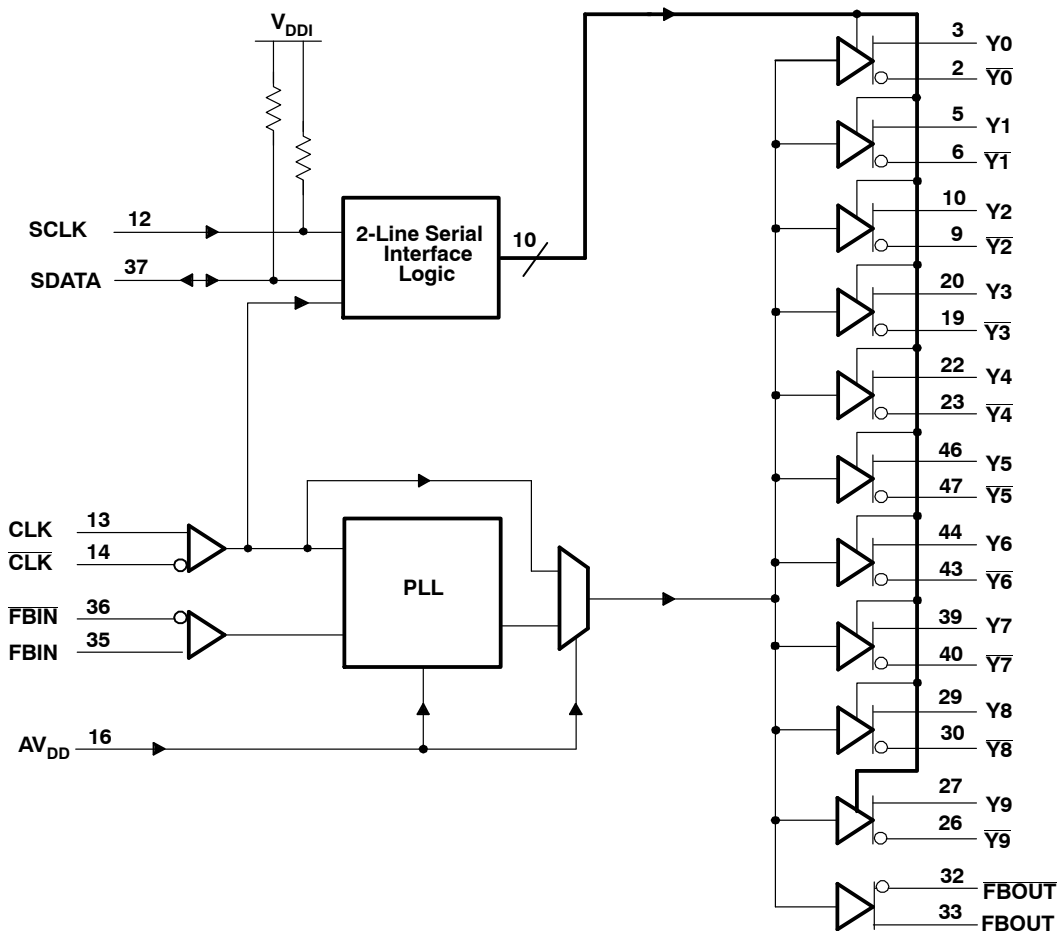
T <sub>A</sub>	PACKAGED DEVICES
	TSSOP (DGG)
-40°C to 85°C	CDCV850DGG

#### FUNCTION TABLE (Select Functions)

INPUTS			OUTPUTS <sup>†</sup>				PLL
AV <sub>DD</sub>	CLK	CLK	Y[0:9]	Y[0:9]	FBOUT	FBOUT	
GND	L	H	L	H	L	H	Bypassed/Off
GND	H	L	H	L	H	L	Bypassed/Off
2.5 V (nom)	L	H	L	H	L	H	On
2.5 V (nom)	H	L	H	L	H	L	On
2.5 V (nom)	<20 MHz	<20 MHz	Hi-Z	Hi-Z	Hi-Z	Hi-Z	Off

<sup>†</sup> Each output pair (except FBOUT, FBOUT) can be put into a high-impedance state through the 2-line serial interface.

#### functional block diagram



**CDCV850**  
**2.5-V PHASE LOCK LOOP CLOCK DRIVER**  
**WITH 2-LINE SERIAL INTERFACE**

SCAS647D – OCTOBER 2000 – REVISED APRIL 2013

**Terminal Functions**

TERMINAL NAME	NO.	I/O	DESCRIPTION
AGND	17		Ground for 2.5-V analog supply
AV <sub>DD</sub>	16		2.5-V analog supply
CLK, $\overline{\text{CLK}}$	13, 14	I	Differential clock input
FBIN, $\overline{\text{FBIN}}$	35, 36	I	Feedback differential clock input
FBOU <sub>T</sub> , $\overline{\text{FBOU}}$	32, 33	O	Feedback differential clock output
GND	1, 7, 8, 18, 24, 25, 31, 41, 42, 48		Ground
SCLK	12	I	Clock input for 2-line serial interface
SDATA	37	I/O	Data input/output for 2-line serial interface
V <sub>DDQ</sub>	4, 11, 21, 28, 34, 38, 45		2.5-V supply
V <sub>DDI</sub>	15	I	2.5-V or 3.3-V supply for 2-line serial interface
Y[0:9]	3, 5, 10, 20, 22, 27, 29, 39, 44, 46	O	Buffered output copies of input clock, CLK
$\overline{\text{Y}}$ [0:9]	2, 6, 9, 19, 23, 26, 30, 40, 43, 47	O	Buffered output copies of input clock, $\overline{\text{CLK}}$

# CDCV850

## 2.5-V PHASE LOCK LOOP CLOCK DRIVER

### WITH 2-LINE SERIAL INTERFACE

SCAS647D – OCTOBER 2000 – REVISED APRIL 2013

#### absolute maximum ratings over operating free-air temperature (unless otherwise noted)<sup>†</sup>

Supply voltage range: $V_{DDQ}, AV_{DD}$	.....	-0.5 V to 3.6 V
$V_{DDI}$	.....	-0.5 V to 4.6 V
Input voltage range: $V_I$ (except SCLK and SDATA) (see Notes 1 and 2)	.....	-0.5 V to $V_{DDQ} + 0.5$ V
$V_I$ (SCLK, SDATA) (see Notes 1 and 2)	.....	-0.5 V to $V_{DDI} + 0.5$ V
Output voltage range: $V_O$ (except SDATA) (see Notes 1 and 2)	.....	-0.5 V to $V_{DDQ} + 0.5$ V
$V_O$ (SDATA) (see Notes 1 and 2)	.....	-0.5 V to $V_{DDQ} + 0.5$ V
Input clamp current, $I_{IK}$ ( $V_I < 0$ or $V_I > V_{DDQ}$ )	.....	±50 mA
Output clamp current, $I_{OK}$ ( $V_O < 0$ or $V_O > V_{DDQ}$ )	.....	±50 mA
Continuous output current, $I_O$ ( $V_O = 0$ to $V_{DDQ}$ )	.....	±50 mA
Package thermal impedance, $\theta_{JA}$ (see Note 3): DGG package	.....	89°C/W
Storage temperature range $T_{stg}$	.....	-65°C to 150°C

<sup>†</sup> Stresses beyond those listed under “absolute maximum ratings” may cause permanent damage to the device. These are stress ratings only, and functional operation of the device at these or any other conditions beyond those indicated under “recommended operating conditions” is not implied. Exposure to absolute-maximum-rated conditions for extended periods may affect device reliability.

- NOTES: 1. The input and output negative voltage ratings may be exceeded if the input and output clamp-current ratings are observed.  
 2. This value is limited to 3.6 V maximum.  
 3. The package thermal impedance is calculated in accordance with JESD 51.

#### recommended operating conditions (see Note 4)

		MIN	TYP	MAX	UNIT
Supply voltage	$V_{DDQ}, AV_{DD}$	2.3		2.7	V
	$V_{DDI}$ (see Note 5)	2.3		3.6	
Low level input voltage, $V_{IL}$	CLK, $\overline{CLK}$ , HCSL Buffer only		0	0.24	V
	CLK, $\overline{CLK}$	-0.3		$V_{DDQ} - 0.4$	
	FBIN, $\overline{FBIN}$			$V_{DDQ}/2 - 0.18$	
	SDATA, SCLK			$0.3 \times V_{DDI}$	
High level input voltage, $V_{IH}$	CLK, $\overline{CLK}$ , HCSL Buffer only	0.66	0.71		V
	CLK, $\overline{CLK}$	0.4		$V_{DDQ} + 0.3$	
	FBIN, $\overline{FBIN}$	$V_{DDQ}/2 + 0.18$			
	SDATA, SCLK	$0.7 \times V_{DDI}$			
DC input signal voltage (see Note 6)		-0.3		$V_{DDQ} + 0.3$	V
Differential input signal voltage, $V_{ID}$ (see Note 7)	DC   CLK, FBIN	0.36		$V_{DDQ} + 0.6$	V
	AC   CLK, FBIN	0.2		$V_{DDQ} + 0.6$	
Input differential pair cross-voltage, $V_{IX}$ (see Note 8)		$0.45 \times (V_{IH} - V_{IL})$		$0.55 \times (V_{IH} - V_{IL})$	V
High-level output current, $I_{OH}$				-12	mA
Low-level output current, $I_{OL}$				12	V
		SDATA		3	mA
Input slew rate, SR (see Figure 8)		1		4	V/ns
SSC modulation frequency		30		33.3	kHz
SSC clock input frequency deviation		0		-0.50	kHz
Operating free-air temperature, $T_A$		-40		85	°C

- NOTES: 4. Unused inputs must be held high or low to prevent them from floating.  
 5. All devices on the serial interface bus, with input levels related to  $V_{DDI}$ , must have one common supply line to which the pullup resistor is connected to.  
 6. DC input signal voltage specifies the allowable dc execution of differential input.  
 7. Differential input signal voltage specifies the differential voltage  $|V_{TR} - V_{CP}|$  required for switching, where  $V_{TR}$  is the true input level and  $V_{CP}$  is the complementary input level.  
 8. Differential cross-point voltage is expected to track variations of VCC and is the voltage at which the differential signals must be crossing.



**CDCV850**  
**2.5-V PHASE LOCK LOOP CLOCK DRIVER**  
**WITH 2-LINE SERIAL INTERFACE**

SCAS647D – OCTOBER 2000 – REVISED APRIL 2013

**electrical characteristics over recommended operating free-air temperature range (unless otherwise noted)**

PARAMETER			TEST CONDITIONS	MIN	TYP†	MAX	UNIT
V <sub>IK</sub>	Input voltage	All inputs	V <sub>DDQ</sub> = 2.3 V, I <sub>I</sub> = -18 mA			-1.2	V
V <sub>OH</sub>	High-level output voltage		V <sub>DDQ</sub> = min to max, I <sub>OH</sub> = -1 mA	V <sub>DDQ</sub> - 0.1			V
			V <sub>DDQ</sub> = 2.3 V, I <sub>OH</sub> = -12 mA	1.7			
V <sub>OL</sub>	Low-level output voltage		V <sub>DDQ</sub> = min to max, I <sub>OL</sub> = 1 mA			0.1	V
			V <sub>DDQ</sub> = 2.3 V, I <sub>OL</sub> = 12 mA			0.6	
		SDATA	V <sub>DDI</sub> = 3.0 V, I <sub>OL</sub> = 3 mA			0.4	
I <sub>OH</sub>	High-level output current		V <sub>DDQ</sub> = 2.3 V, V <sub>O</sub> = 1 V	-18	-32		mA
I <sub>OL</sub>	Low-level output current		V <sub>DDQ</sub> = 2.3 V, V <sub>O</sub> = 1.2 V	26	35		mA
V <sub>O</sub>	Output voltage swing		For load condition see Figure 3	1.1		V <sub>DDQ</sub> - 0.4	V
V <sub>OX</sub>	Output differential cross voltage			V <sub>DDQ</sub> /2 - 0.2	V <sub>DDQ</sub> /2	V <sub>DDQ</sub> /2 + 0.2	V
I <sub>I</sub>	Input current	SDATA, SCLK	V <sub>DDQ</sub> = 3.6 V, V <sub>I</sub> = 0 V to 3.6 V			+10/-50	μA
		CLK, FBIN	V <sub>DDQ</sub> = 2.7 V, V <sub>I</sub> = 0 V to 2.7 V			±10	μA
I <sub>OZ</sub>	High-impedance-state output current		V <sub>DDQ</sub> = 2.7 V, V <sub>O</sub> = V <sub>DDQ</sub> or GND			±10	μA
I <sub>DDPD</sub>	Power-down current on V <sub>DDQ</sub> + AV <sub>DD</sub>		CLK at 0 MHz; Σ of I <sub>DD</sub> and A <sub>I</sub> DD		150	250	μA
	Power down current on V <sub>DDI</sub>		CLK at 0 MHz; V <sub>DDQ</sub> = 3.6 V		3	20	μA
I <sub>DD</sub>	Dynamic current on V <sub>DDQ</sub>		V <sub>DDQ</sub> = 2.7 V, f <sub>O</sub> = 100 MHz All differential output pairs are terminated with 120 Ω / C <sub>L</sub> = 4 pF		205	230	mA
A <sub>I</sub> (DD)	Supply current on AV <sub>DD</sub>		AV <sub>DD</sub> = 2.7 V, f <sub>O</sub> = 100 MHz		4	6	mA
I <sub>DDI</sub>	Supply current on V <sub>DDI</sub>		V <sub>DDI</sub> = 3.6 V, SCLK and SDATA = 3.6 V		1	2	mA
C <sub>I</sub>	Input capacitance		V <sub>DDQ</sub> = 2.5 V, V <sub>I</sub> = V <sub>DDQ</sub> or GND	2	2.5	3	pF
C <sub>O</sub>	Output capacitance		V <sub>DDQ</sub> = 2.5 V, V <sub>O</sub> = V <sub>DDQ</sub> or GND	2.5	3	3.5	pF

† All typical values are at respective nominal V<sub>DDQ</sub>.

‡ The value of V<sub>OC</sub> is expected to be |V<sub>TR</sub> + V<sub>CP</sub>]/2. In case of each clock directly terminated by a 120-Ω resistor, where V<sub>TR</sub> is the true input signal voltage and V<sub>CP</sub> is the complementary input signal voltage (see Figure 3).

# CDCV850

## 2.5-V PHASE LOCK LOOP CLOCK DRIVER WITH 2-LINE SERIAL INTERFACE

SCAS647D – OCTOBER 2000 – REVISED APRIL 2013

### timing requirements over recommended ranges of supply voltage and operating free-air temperature

	MIN	MAX	UNIT
$f_{(CLK)}$ Clock frequency	60	140	MHz
Input clock duty cycle	40%	60%	
Stabilization time <sup>†</sup>		10	$\mu$ s

<sup>†</sup> Time required for the integrated PLL circuit to obtain phase lock of its feedback signal to its reference signal. For phase lock to be obtained, a fixed-frequency, fixed-phase reference signal must be present at CLK. Until phase lock is obtained, the specifications for propagation delay, skew, and jitter parameters given in the switching characteristics table are not applicable. This parameter does not apply for input modulation under SSC application.

### timing requirements for the 2-line serial interface over recommended ranges of operating free-air temperature and VDDI from 3.3 V to 3.6 V (see Figure 10)

	MIN	MAX	UNIT
$f_{(SCLK)}$ SCLK frequency		100	kHz
$t_{(BUS)}$ Bus free time	4.7		$\mu$ s
$t_{su}(START)$ START setup time <sup>†</sup>	4.7		$\mu$ s
$t_h(START)$ START hold time <sup>†</sup>	4.0		$\mu$ s
$t_w(SCLL)$ SCLK low pulse duration	4.7		$\mu$ s
$t_w(SCLH)$ SCLK high pulse duration	4.0		$\mu$ s
$t_r(SDATA)$ SDATA input rise time		1000	ns
$t_f(SDATA)$ SDATA input fall time		300	ns
$t_{su}(SDATA)$ SDATA setup time	250		ns
$t_h(SDATA)$ SDATA hold time	0		ns
$t_{su}(STOP)$ STOP setup time	4		$\mu$ s

<sup>†</sup> This conforms to I2C specification, version 2.1.



**CDCV850**  
**2.5-V PHASE LOCK LOOP CLOCK DRIVER**  
**WITH 2-LINE SERIAL INTERFACE**

SCAS647D – OCTOBER 2000 – REVISED APRIL 2013

**switching characteristics over recommended ranges of operating free-air temperature (unless otherwise noted)**

PARAMETER		TEST CONDITIONS	MIN	TYP	MAX	UNIT	
$t_{pd}$	Propagation delay time	Test mode/CLK to any output		4		ns	
$t_{PHL}$	High-to low-level propagation delay time	SCLK to SDATA (acknowledge)		500 <sup>†</sup>		ns	
$t_{en}$	Output enable time	Test mode/SDATA to Y-output		85		ns	
$t_{dis}$	Output disable time	Test mode/SDATA to Y-output		35		ns	
$t_{jit(per)}$	Jitter (period), See Figure 6	100/133 MHz	-30		30	ps	
$t_{jit(cc)}$	Jitter (cycle-to-cycle), See Figure 3	100/133 MHz	-30		30	ps	
$t_{jit(hper)}$	Half-period jitter, See Figure 7	100/133 MHz	-75		75	ps	
$t_{(o)}$	Static phase offset, See Figure 4a	0°C to 85°C	100 MHz/VID on CLK = 0.71 V <sup>‡</sup>		-120	120	ps
			100 MHz/VID on CLK = 0.59 V <sup>§</sup>		-50	160	
			100 MHz/VID on CLK = 0.82 V <sup>¶</sup>		-170	70	
			133 MHz/VID on CLK = 0.71 V <sup>¶</sup>		-50	180	
		-40°C to 85°C	100 MHz/VID on CLK = 0.71 V <sup>‡</sup>		-160	80	ps
			100 MHz/VID on CLK = 0.59 V <sup>§</sup>		-90	120	
			100 MHz/VID on CLK = 0.82 V <sup>¶</sup>		-210	30	
			133 MHz/VID on CLK = 0.71 V <sup>¶</sup>		-80	150	
$td_{(o)}$ <sup>#</sup>	Dynamic phase offset, SSC on, See Figure 4b and Figure 9	100 MHz/VID on CLK = 0.71 V <sup>‡</sup>		-190	190	ps	
		133 MHz/VID on CLK = 0.71 V <sup>‡</sup>		-140	140	ps	
	Dynamic phase offset, SSC off, See Figure 4b	100 MHz/VID on CLK = 0.71 V <sup>‡</sup>		-160	160	ps	
		133 MHz/VID on CLK = 0.71 V <sup>‡</sup>		-130	130	ps	
$t_{slr(o)}$	Output clock slew rate, terminated with 120Ω/14 pF, See Figures 1 and 8		1		2	V/ns	
$t_{slr(o)}$	Output clock slew rate, terminated with 120Ω/4 pF, See Figures 1 and 8		1		3	V/ns	
$t_{sk(o)}$ <sup>  </sup>	Output skew, See Figure 5				75	ps	
	SSC modulation frequency		30		33.3	kHz	
	SSC clock input frequency deviation		0.00		-0.50	%	

<sup>†</sup> This time is for a PLL frequency of 100 MHz.

<sup>‡</sup> According CK00 spec:  $6 \times I_{ref}$  at 50 Ω and  $R_{ref} = 475 \Omega$

<sup>§</sup> According CK00 spec:  $5 \times I_{ref}$  at 50 Ω and  $R_{ref} = 475 \Omega$

<sup>¶</sup> According CK00 spec:  $7 \times I_{ref}$  at 50 Ω and  $R_{ref} = 475 \Omega$

<sup>#</sup> The parameter is assured by design but cannot be 100% production tested.

<sup>||</sup> All differential output pins are terminated with 120 Ω/4 pF

# CDCV850

## 2.5-V PHASE LOCK LOOP CLOCK DRIVER

### WITH 2-LINE SERIAL INTERFACE

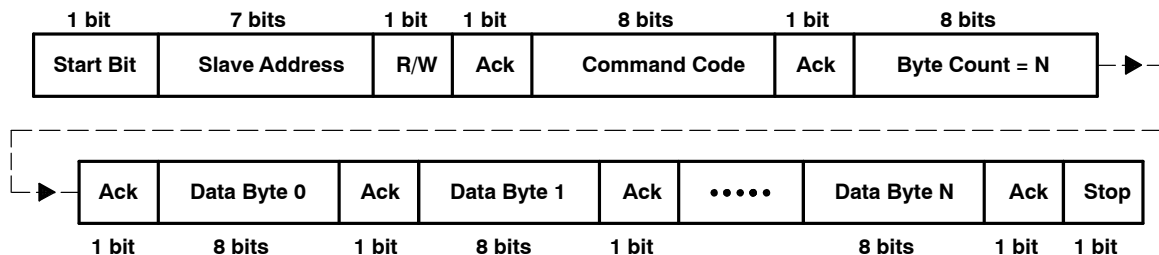
SCAS647D – OCTOBER 2000 – REVISED APRIL 2013

#### 2-line serial interface

##### 2-line serial interface slave address

A7	A6	A5	A4	A3	A2	A1	R/W
1	1	0	1	0	0	1	0

Writing to the device is accomplished by sequentially sending the device address D2<sub>H</sub>, the dummy bytes (command code and the number of bytes), and the data bytes. This sequence is illustrated in the following tables:



##### 2-line serial interface configuration command bitmap

The 2-line serial command bytes are used to control the output clock pairs (Y[0:9],  $\bar{Y}$ [0:9]). The output clock pairs are enabled after power up. During normal operation, the clock pairs can be disabled (set Hi-Z) or enabled (running) by writing the corresponding bit to the data bytes in the following tables:

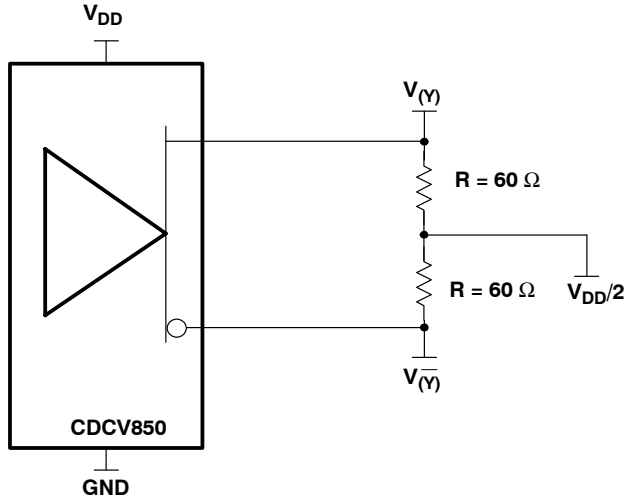
##### Byte 0: Enable/Disable Register (H = Enable, L = Disable)

##### Byte 1: Enable/Disable Register (H = Enable, L = Disable)

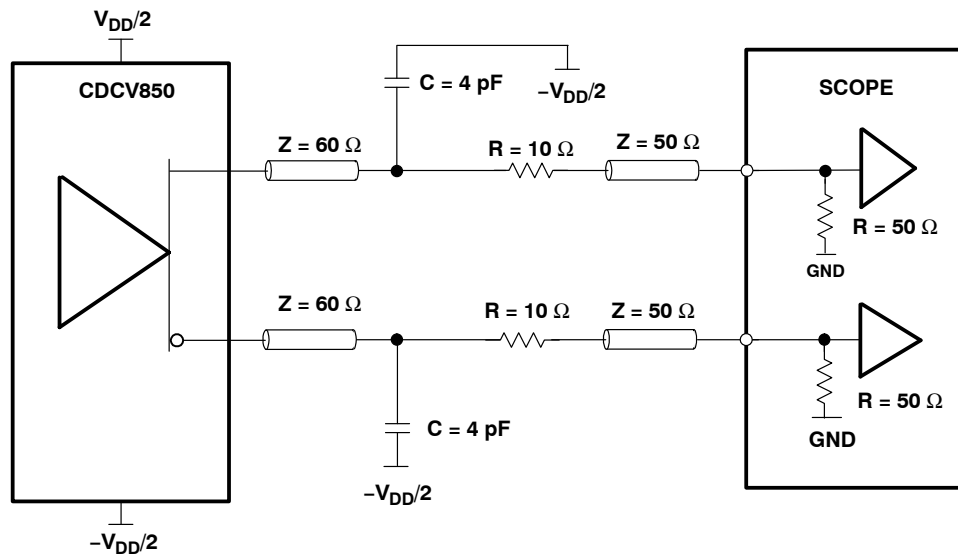
BIT	PINS	INITIAL VALUE	DESCRIPTION	BIT	PINS	INITIAL VALUE	DESCRIPTION
7	3, 2	H	Y0, $\bar{Y}$ 0	7	29, 30	H	Y8, $\bar{Y}$ 8
6	5, 6	H	Y1, $\bar{Y}$ 1	6	27, 26	H	Y9, $\bar{Y}$ 9
5	10, 9	H	Y2, $\bar{Y}$ 2	5	-	L	Reserved
4	20, 19	H	Y3, $\bar{Y}$ 3	4	-	L	Reserved
3	22, 23	H	Y4, $\bar{Y}$ 4	3	-	L	Reserved
2	46, 47	H	Y5, $\bar{Y}$ 5	2	-	L	Reserved
1	44, 43	H	Y6, $\bar{Y}$ 6	1	-	L	Reserved
0	39, 40	H	Y7, $\bar{Y}$ 7	0	-	L	Reserved



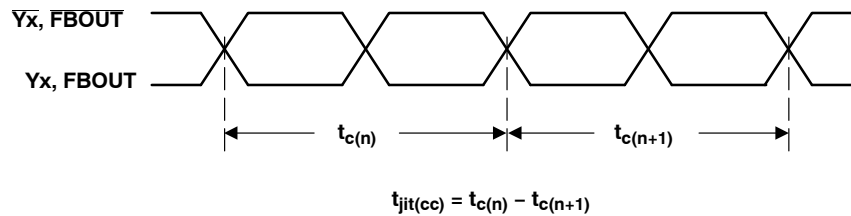
**PARAMETER MEASUREMENT INFORMATION**



**Figure 1. IBIS Model Output Load (used for slew rate measurement)**



**Figure 2. Output Load Test Circuit**

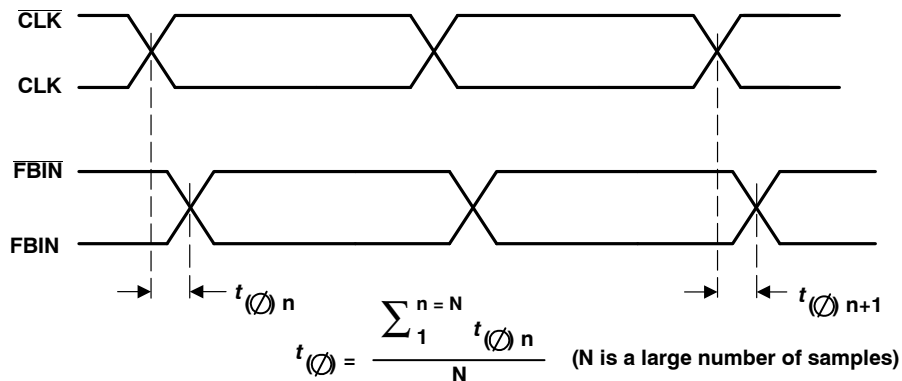


**Figure 3. Cycle-to-Cycle Jitter**

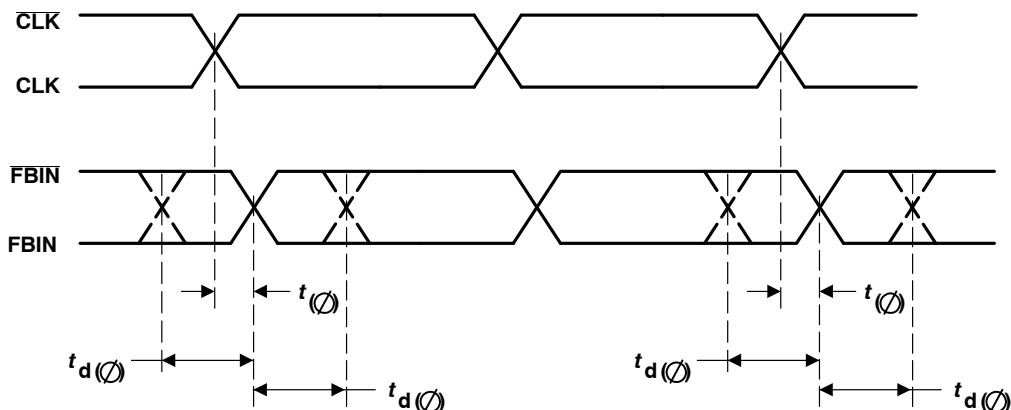
**CDCV850**  
**2.5-V PHASE LOCK LOOP CLOCK DRIVER**  
**WITH 2-LINE SERIAL INTERFACE**

SCAS647D – OCTOBER 2000 – REVISED APRIL 2013

**PARAMETER MEASUREMENT INFORMATION**

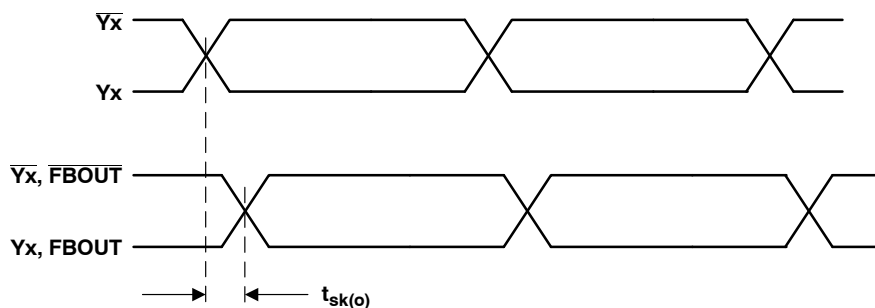


(a) Static Phase Offset



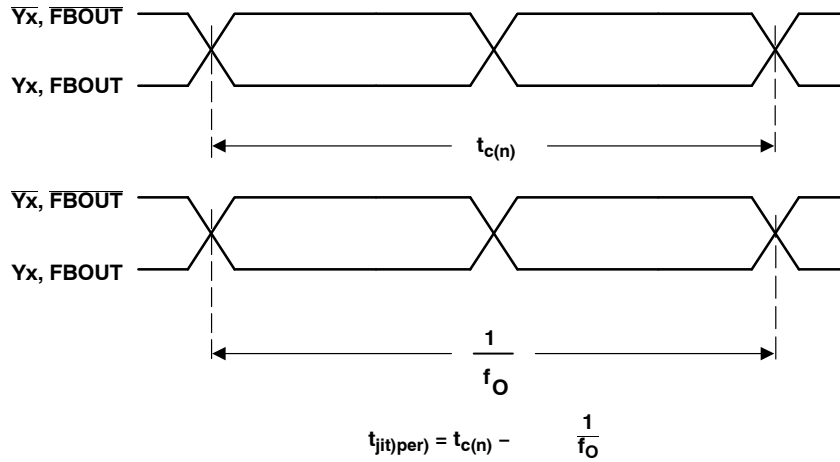
(b) Dynamic Phase Offset

**Figure 4. Static Phase Offset**

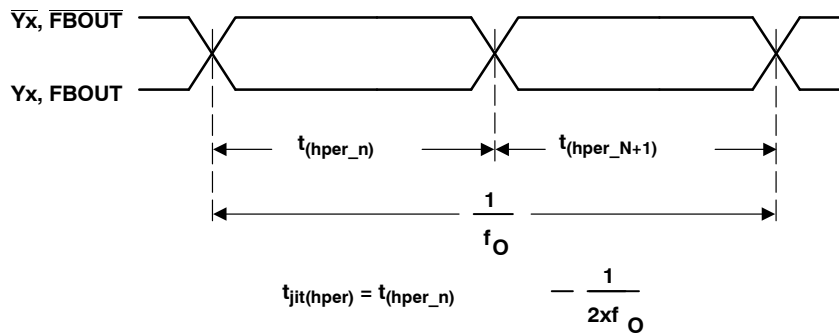


**Figure 5. Output Skew**

**PARAMETER MEASUREMENT INFORMATION**



**Figure 6. Period Jitter**



**Figure 7. Half-Period Jitter**

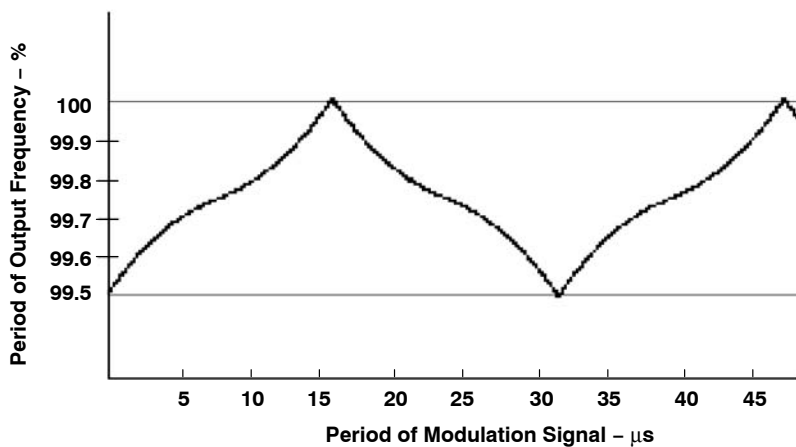
**CDCV850**  
**2.5-V PHASE LOCK LOOP CLOCK DRIVER**  
**WITH 2-LINE SERIAL INTERFACE**

SCAS647D – OCTOBER 2000 – REVISED APRIL 2013

**PARAMETER MEASUREMENT INFORMATION**



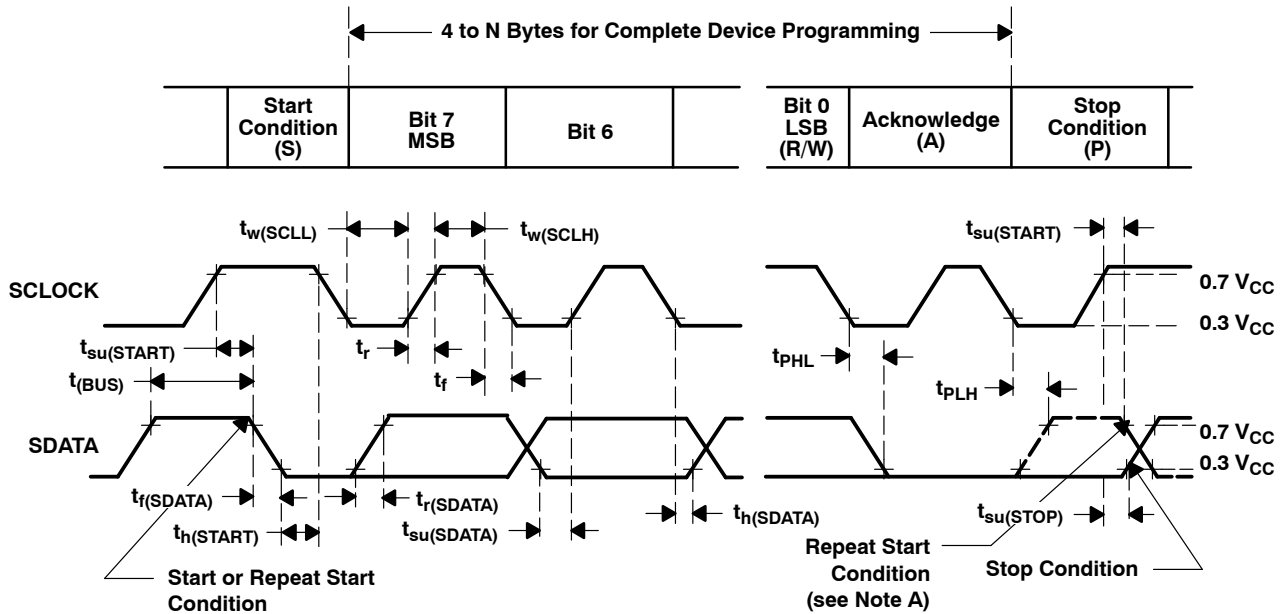
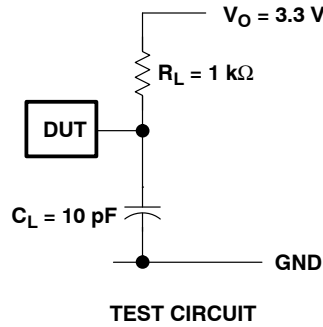
**Figure 8. Input and Output Slew Rates**



**Figure 9. SSC Modulation Profile**

**CDCV850**  
**2.5-V PHASE LOCK LOOP CLOCK DRIVER**  
**WITH 2-LINE SERIAL INTERFACE**

SCAS647D - OCTOBER 2000 - REVISED APRIL 2013



**VOLTAGE WAVEFORMS**

BYTE	DESCRIPTION
1	Slave Address
2	Common (Dummy Value, Ignored)
3	Byte Count = N
4	Data Byte 0
5 - N	Data Byte 1 - N

NOTE A: The repeat start condition is supported. If PWRDWN# is asserted SDATA will be set to off-state, high impedance.

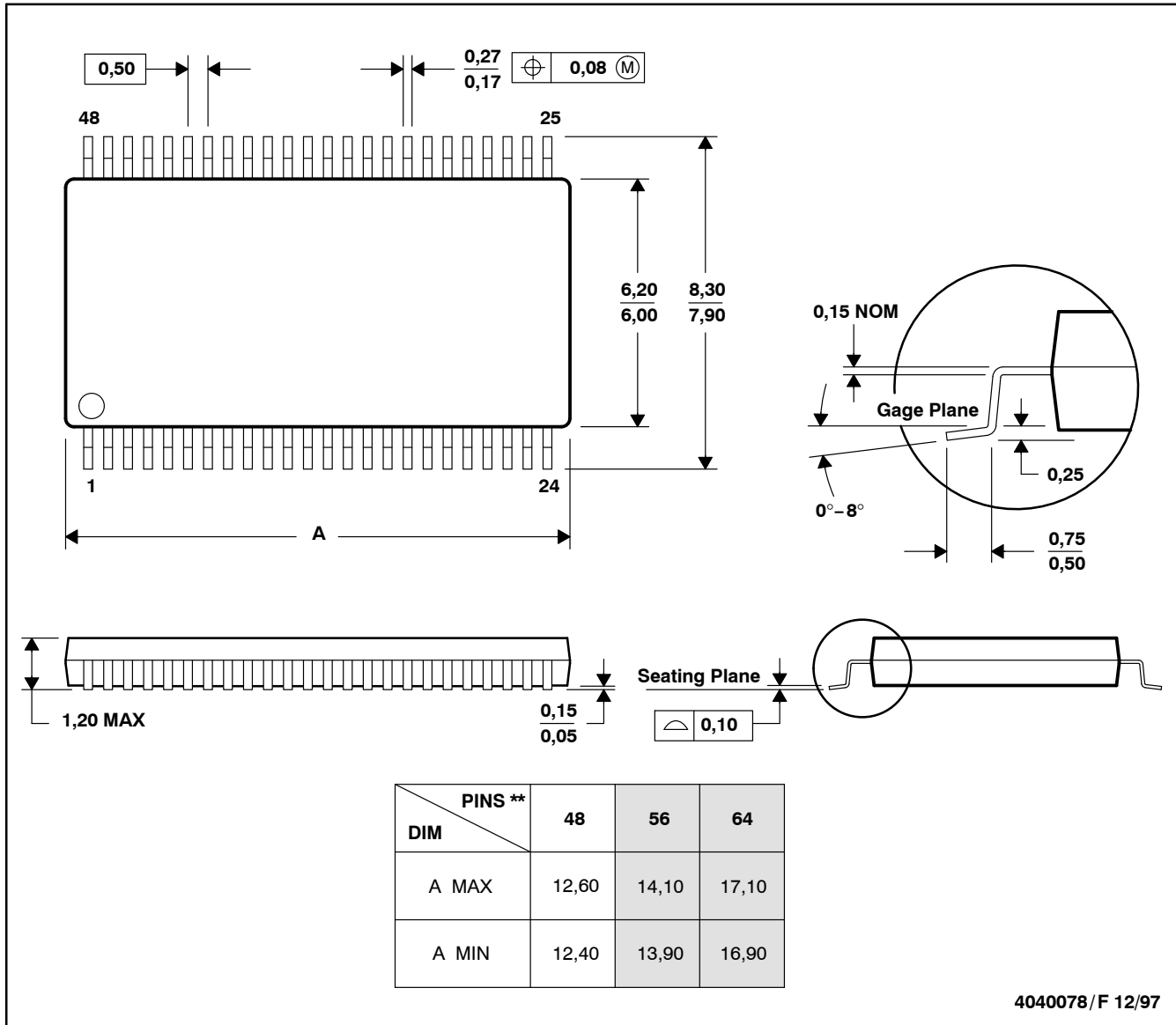
**Figure 10. Propagation Delay Times,  $t_r$  and  $t_f$**

**CDCV850**  
**2.5-V PHASE LOCK LOOP CLOCK DRIVER**  
**WITH 2-LINE SERIAL INTERFACE**

SCAS647D – OCTOBER 2000 – REVISED APRIL 2013

**MECHANICAL DATA**

48 PINS SHOWN



- NOTES: B. All linear dimensions are in millimeters.  
 C. This drawing is subject to change without notice.  
 D. Body dimensions do not include mold protrusion not to exceed 0,15.  
 E. Falls within JEDEC MO-153

**PACKAGING INFORMATION**

Orderable Device	Status (1)	Package Type	Package Drawing	Pins	Package Qty	Eco Plan (2)	Lead/Ball Finish (6)	MSL Peak Temp (3)	Op Temp (°C)	Device Marking (4/5)	Samples
CDCV850DGG	OBSOLETE	TSSOP	DGG	48		TBD	Call TI	Call TI	-40 to 85	CDCV850	
CDCV850DGGG4	OBSOLETE	TSSOP	DGG	48		TBD	Call TI	Call TI	-40 to 85	CDCV850	
CDCV850DGGR	OBSOLETE	TSSOP	DGG	48		TBD	Call TI	Call TI	-40 to 85	CDCV850	
CDCV850DGGRG4	OBSOLETE	TSSOP	DGG	48		TBD	Call TI	Call TI	-40 to 85	CDCV850	
CDCV850IDGG	OBSOLETE	TSSOP	DGG	48		TBD	Call TI	Call TI	-40 to 85	CDCV850-I	

(1) The marketing status values are defined as follows:

**ACTIVE:** Product device recommended for new designs.

**LIFEBUY:** TI has announced that the device will be discontinued, and a lifetime-buy period is in effect.

**NRND:** Not recommended for new designs. Device is in production to support existing customers, but TI does not recommend using this part in a new design.

**PREVIEW:** Device has been announced but is not in production. Samples may or may not be available.

**OBSOLETE:** TI has discontinued the production of the device.

(2) **RoHS:** TI defines "RoHS" to mean semiconductor products that are compliant with the current EU RoHS requirements for all 10 RoHS substances, including the requirement that RoHS substance do not exceed 0.1% by weight in homogeneous materials. Where designed to be soldered at high temperatures, "RoHS" products are suitable for use in specified lead-free processes. TI may reference these types of products as "Pb-Free".

**RoHS Exempt:** TI defines "RoHS Exempt" to mean products that contain lead but are compliant with EU RoHS pursuant to a specific EU RoHS exemption.

**Green:** TI defines "Green" to mean the content of Chlorine (Cl) and Bromine (Br) based flame retardants meet JS709B low halogen requirements of <=1000ppm threshold. Antimony trioxide based flame retardants must also meet the <=1000ppm threshold requirement.

(3) MSL, Peak Temp. - The Moisture Sensitivity Level rating according to the JEDEC industry standard classifications, and peak solder temperature.

(4) There may be additional marking, which relates to the logo, the lot trace code information, or the environmental category on the device.

(5) Multiple Device Markings will be inside parentheses. Only one Device Marking contained in parentheses and separated by a "~" will appear on a device. If a line is indented then it is a continuation of the previous line and the two combined represent the entire Device Marking for that device.

(6) Lead/Ball Finish - Orderable Devices may have multiple material finish options. Finish options are separated by a vertical ruled line. Lead/Ball Finish values may wrap to two lines if the finish value exceeds the maximum column width.

**Important Information and Disclaimer:** The information provided on this page represents TI's knowledge and belief as of the date that it is provided. TI bases its knowledge and belief on information provided by third parties, and makes no representation or warranty as to the accuracy of such information. Efforts are underway to better integrate information from third parties. TI has taken and continues to take reasonable steps to provide representative and accurate information but may not have conducted destructive testing or chemical analysis on incoming materials and chemicals. TI and TI suppliers consider certain information to be proprietary, and thus CAS numbers and other limited information may not be available for release.

In no event shall TI's liability arising out of such information exceed the total purchase price of the TI part(s) at issue in this document sold by TI to Customer on an annual basis.



DGG (R-PDSO-G\*\*)

PLASTIC SMALL-OUTLINE PACKAGE

48 PINS SHOWN



- NOTES: A. All linear dimensions are in millimeters.  
 B. This drawing is subject to change without notice.  
 C. Body dimensions do not include mold protrusion not to exceed 0,15.  
 D. Falls within JEDEC MO-153

## IMPORTANT NOTICE AND DISCLAIMER

TI PROVIDES TECHNICAL AND RELIABILITY DATA (INCLUDING DATASHEETS), DESIGN RESOURCES (INCLUDING REFERENCE DESIGNS), APPLICATION OR OTHER DESIGN ADVICE, WEB TOOLS, SAFETY INFORMATION, AND OTHER RESOURCES "AS IS" AND WITH ALL FAULTS, AND DISCLAIMS ALL WARRANTIES, EXPRESS AND IMPLIED, INCLUDING WITHOUT LIMITATION ANY IMPLIED WARRANTIES OF MERCHANTABILITY, FITNESS FOR A PARTICULAR PURPOSE OR NON-INFRINGEMENT OF THIRD PARTY INTELLECTUAL PROPERTY RIGHTS.

These resources are intended for skilled developers designing with TI products. You are solely responsible for (1) selecting the appropriate TI products for your application, (2) designing, validating and testing your application, and (3) ensuring your application meets applicable standards, and any other safety, security, or other requirements. These resources are subject to change without notice. TI grants you permission to use these resources only for development of an application that uses the TI products described in the resource. Other reproduction and display of these resources is prohibited. No license is granted to any other TI intellectual property right or to any third party intellectual property right. TI disclaims responsibility for, and you will fully indemnify TI and its representatives against, any claims, damages, costs, losses, and liabilities arising out of your use of these resources.

TI's products are provided subject to TI's Terms of Sale ([www.ti.com/legal/termsofsale.html](http://www.ti.com/legal/termsofsale.html)) or other applicable terms available either on [ti.com](http://ti.com) or provided in conjunction with such TI products. TI's provision of these resources does not expand or otherwise alter TI's applicable warranties or warranty disclaimers for TI products.

Mailing Address: Texas Instruments, Post Office Box 655303, Dallas, Texas 75265  
Copyright © 2019, Texas Instruments Incorporated