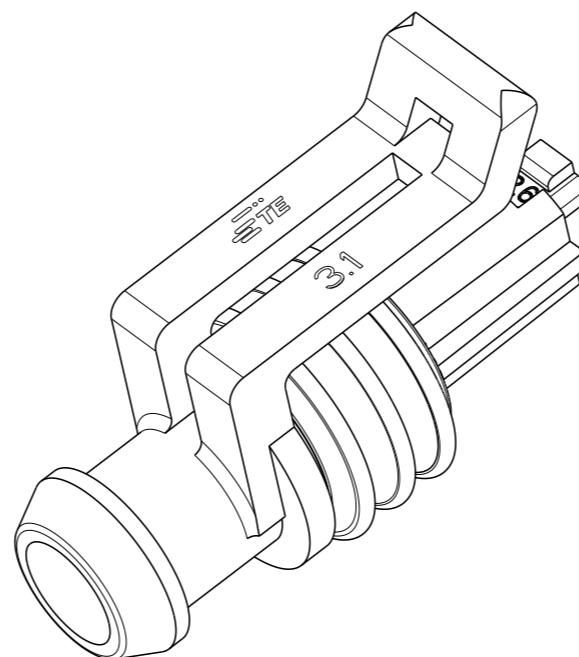
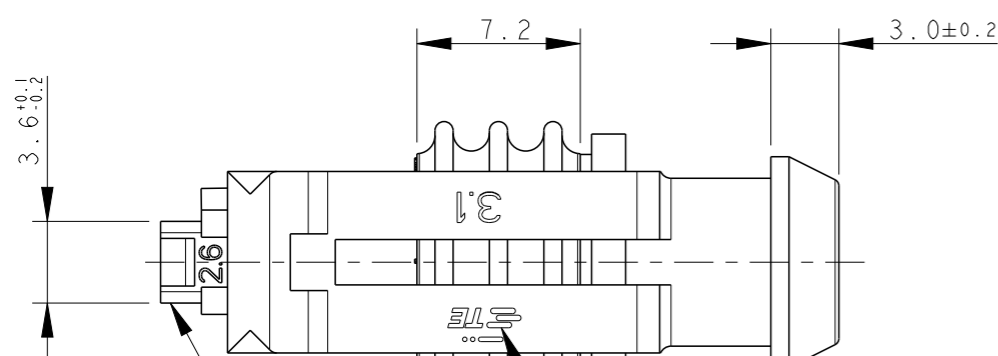
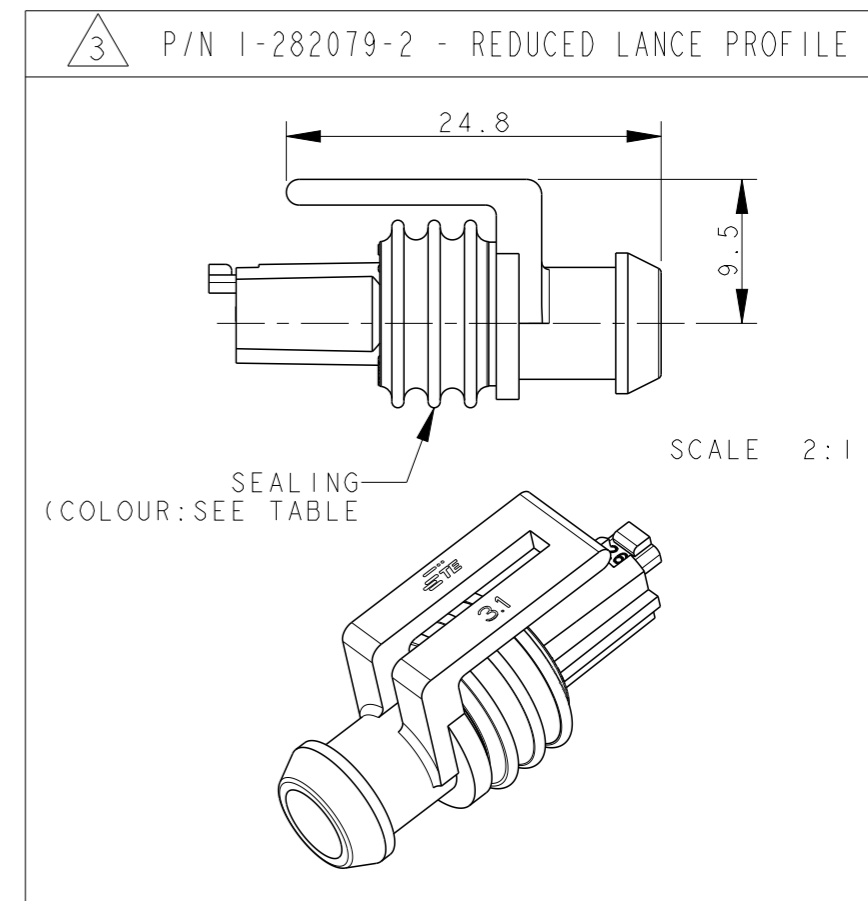
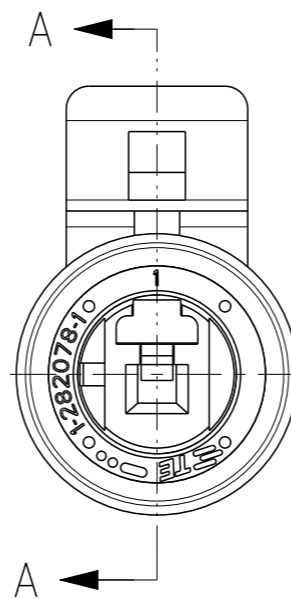
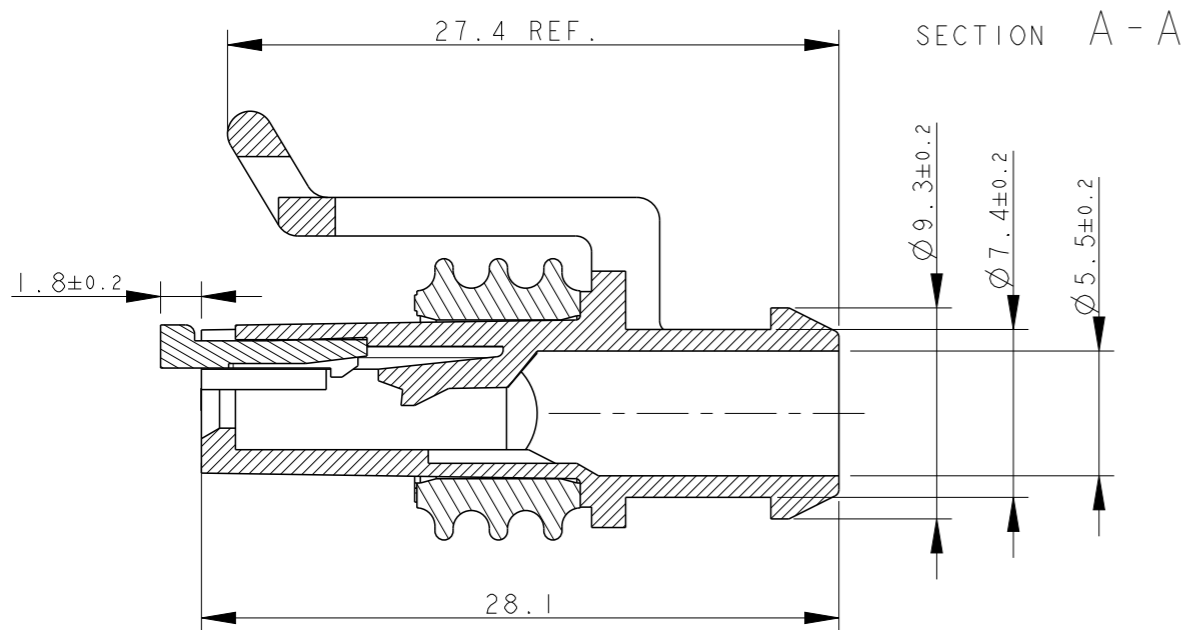


REVISIONS

P	LTR	DESCRIPTION	DATE	DWN	APVD
G		ECR-14-009314	24MAR2015	M.P.	M.G.
G1		REVISED (ECR-15-014031)	25SEP2015	M.G.	M.G.
G2		REVISED PER ECO-17-001706	10FEB2017	C.A.	M.G.
G3		REVISED PER ECO-17-018626	18DEC2017	AP	VN



TE CONNECTIVITY TRADE MARK,
(IN ALTERNATIVE: "AMP" LOGO, OR "Tyco Electronics" LOGO)

SEALING
(COLOUR:SEE TABLE)

PRE-ASSEMBLED SECONDARY LOCK
(COLOUR RED)

1 WARNING: LOW RETENTION FORCE OF SEALING ON HOUSING (<9N)
2) FOR COUNTERPART DETAILS, SEE SHEET 2 OF 2

NOTE	SEAL COLOUR	HOUSING COLOR	MATERIAL	PART NUMBER
1	NATURAL	BLACK	HOUSING+SEC.LOCK: PA 66-GF SEALING: LSR (4% OIL CONTENT)	2-282079-2
	YELLOW	3 BLACK	HOUSING+SEC.LOCK: PA 66-GF SEALING: LSR (NO OIL CONTENT)	1-282079-2
	YELLOW	GRAY		282079-3
	YELLOW	BLACK		282079-2

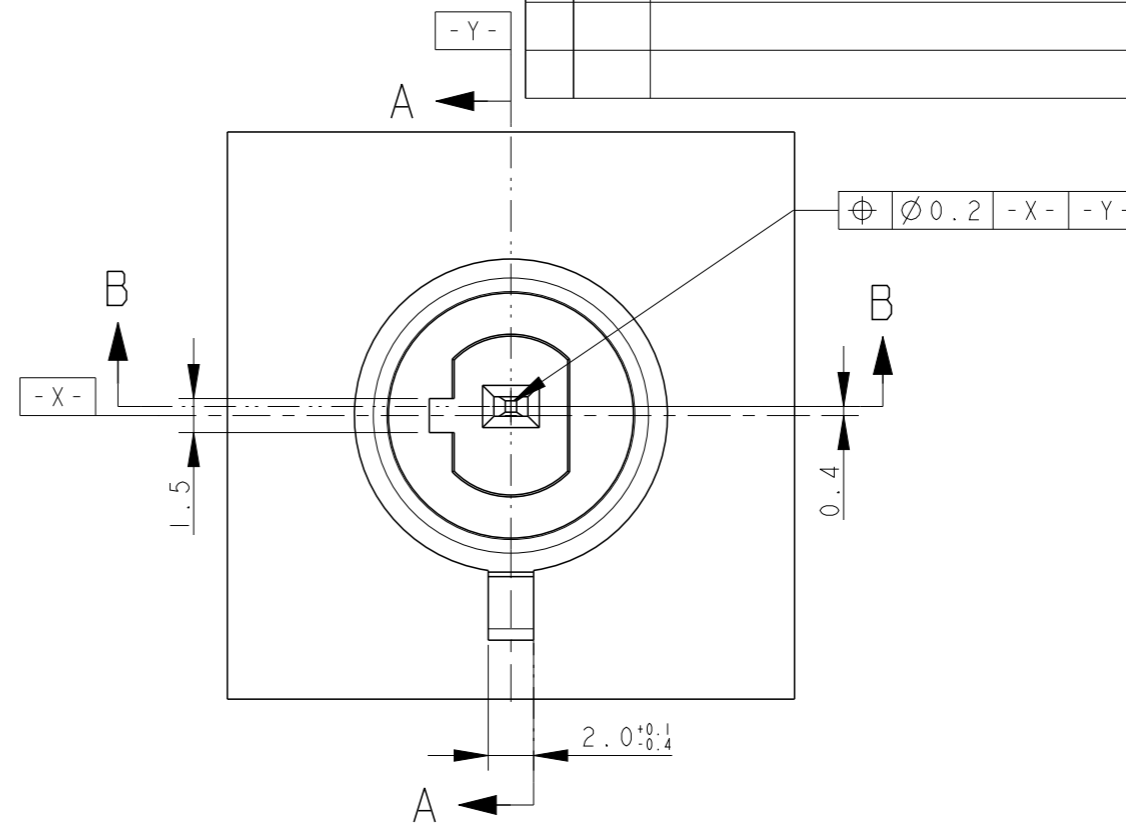
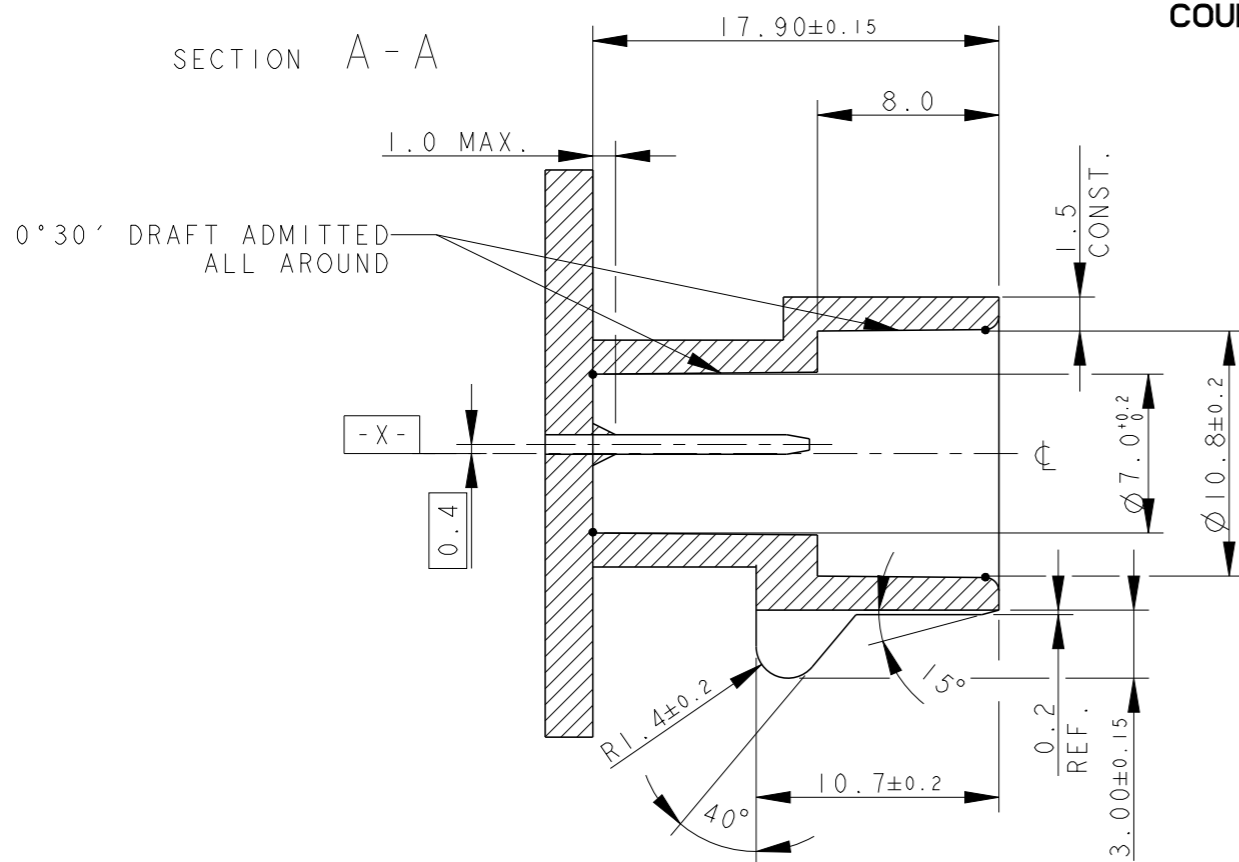
THIS DRAWING IS A CONTROLLED DOCUMENT.		DWN 05-1992 C. BERTINI		STE TE Connectivity	
		CHK 05-1992 A. BRUNI			
DIMENSIONS: mm		TOLERANCES UNLESS OTHERWISE SPECIFIED:		NAME	
		0 PLC ±-		PRODUCT SPEC	
		1 PLC ±0.3		108-20090	
MATERIAL		2 PLC ±-		APPLICATION SPEC	
		3 PLC ±-		412-20000	
SEE TABLE		4 PLC ±-		WEIGHT	
		ANGLES ±2°		1.55gr	
		FINISH		SIZE	
		-		A300779	
		-		CAGE CODE	
		-		G-282079	
		-		DRAWING NO	
		-		RESTRICTED TO	
		-		-	
		-		SCALE	
		-		3:1	
		-		SHEET	
		-		1 OF 2	
		-		REV	
		-		G3	

REVISIONS

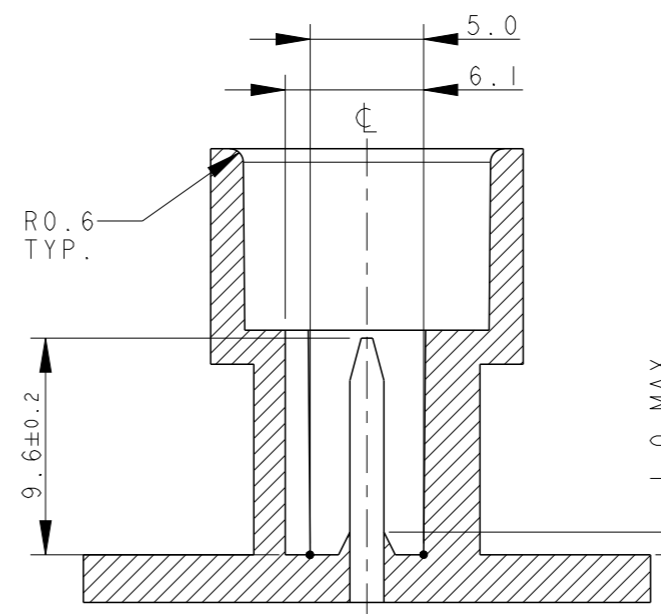
P	LTR	DESCRIPTION	DATE	DWN	APVD
-	-	SEE SHEET 1	-	-	-

COUNTERPART DETAILS

SECTION A - A

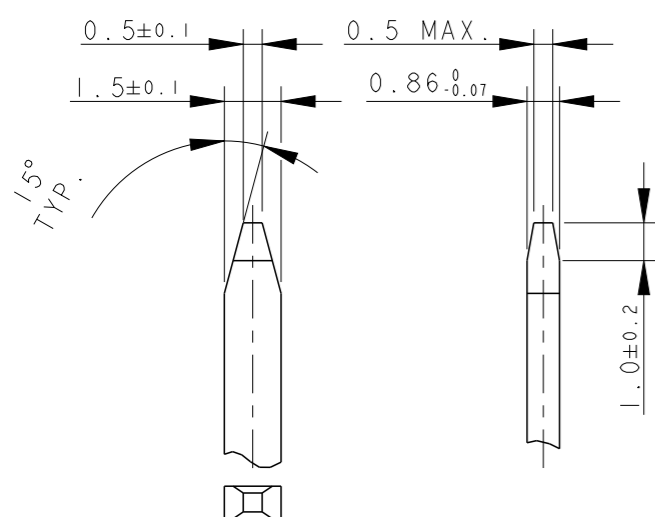


SECTION B - B



MATERIALS: PA66-GF FOR HOUSING
TIN PLATED BRASS FOR TABS

TAB DETAILS



THIS DRAWING IS A CONTROLLED DOCUMENT.

DWN C. BERTINI 05-1992

CHK A. BRUNI 05-1992

APVD -

NAME

DIMENSIONS:

mm

TOLERANCES UNLESS OTHERWISE SPECIFIED:

- 0 PLC ±0.3
- 1 PLC ±0.1
- 2 PLC ±0.05
- 3 PLC ±
- 4 PLC ±
- ANGLES ±2°

MATERIAL

FINISH

PRODUCT SPEC

108-20090

APPLICATION SPEC

412-20000

WEIGHT

1.55gr



TE Connectivity

AMP SUPERSEAL 1.5 SRS.
1 POSITION PLUG ASS'Y

SIZE CAGE CODE DRAWING NO RESTRICTED TO

A300779 C-282079

Customer Drawing

SCALE 5:1 SHEET 2 OF 2 REV G3