

### 60 V Input Low Supply Current Voltage Detector for Automotive Applications

No. EC-402-190607

#### OVERVIEW

The R3160N is a 60 V-input voltage detector provided with high detector threshold accuracy and low supply current. This device offers a direct-monitoring of 24-/48-V battery and a detection of low-voltage battery state.

#### KEY BENEFITS

- Enables a direct-monitoring of battery voltage and can be used for an early warning of low-voltage battery state.
- Provides a wide-range detector threshold of 10 V to 48 V and a high-accuracy of  $\pm 1.5\%$  to  $\pm 1.75\%$ .
- Available in a small SOT-23-6 package.

#### KEY SPECIFICATIONS

- Operating Voltage Range (Maximum Rating): 2.7 V to 60.0 V (80.0 V)
- Operating Temperature Range:  $-40^{\circ}\text{C}$  to  $125^{\circ}\text{C}$
- Supply Current: Typ. 1.8  $\mu\text{A}$
- Voltage Detector Threshold Range: 10.0 V to 48.0 V
- Hysteresis Threshold: Typ. 4.3%
- Voltage Detector Threshold Accuracy:  $\pm 1.75\%$  (Detector Threshold 20 V or lower)  
 $\pm 1.5\%$  (Detector Threshold 20.5 V or higher)
- Release Delay Time (at Power-on): Typ. 18 ms ( $C_D = 0.01 \mu\text{F}$ )
- Output Type: Nch. Open-drain

#### SELECTION GUIDE

The detector threshold and the output logic are user selectable options.

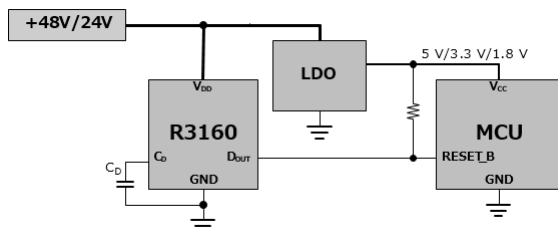
Product Name: R3160Nxxx\$

xxx: Detector Threshold ( $V_{SET}$ ) Ranges  
 10.0 V (100) to 20.0 V (200) in 0.2 V step  
 20.5 V (205) to 30.0 V (300) in 0.5 V step  
 31.0 V (310) to 48.0 V (480) in 1.0 V step

\$: Output Logic

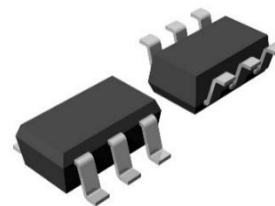
\$	DOUT Pin Output	
	Detection	Release
A	Low	High
B	High	Low

#### TYPICAL APPLICATION



$C_D$ : The capacitor according to the release delay time setting

#### PACKAGE



SOT-23-6

Size = 2.9 mm x 2.8 mm, t = 1.3 mm (Max.)

#### APPLICATIONS

- Voltage supervisor for in-vehicle battery.

---

**R3160N**

---

No. EC-402-190607

**SELECTION GUIDE**

The detector threshold and the polarity of DOUT pin are user selectable options.

Product Name	Package	Quantity per Reel	Pb Free	Halogen Free
R3160Nxxx\$-TR-#E	SOT-23-6	3,000 pcs	Yes	Yes

xxx : Detector Threshold ( $V_{SET}$ ) Ranges

10.0 V (100) to 20.0 V (200) in 0.2 V step

20.5 V (205) to 30.0 V (300) in 0.5 V step

31.0 V (310) to 48.0 V (480) in 1.0 V step

If a device with a voltage other than above is required, contact our sales representatives or our distributors.

\$: Version

Version	DOUT Pin Output	
	Detection	Release
<b>A</b>	Low	High
<b>B<sup>(1)</sup></b>	High	Low

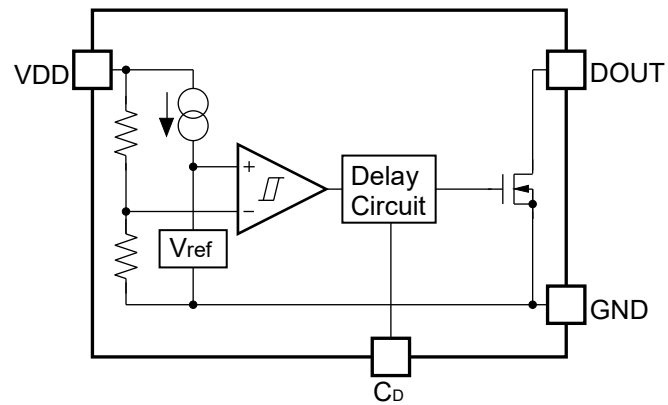
#: Quality Class

	Operating Temperature Range	Guaranteed Specs Temperature Range	Screening
<b>A</b>	-40°C to 125°C	25°C	High Temperature
<b>K</b>	-40°C to 125°C	-40°C to 125°C	High and Low Temperature

---

<sup>(1)</sup> R3160NxxxB is the inverted output of R3160NxxxA.

---

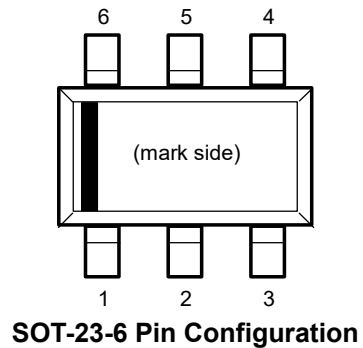
**BLOCK DIAGRAM****R3160NxxxA/B Block Diagram**

---

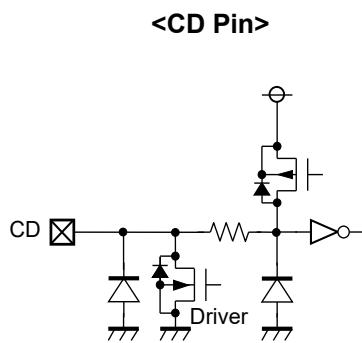
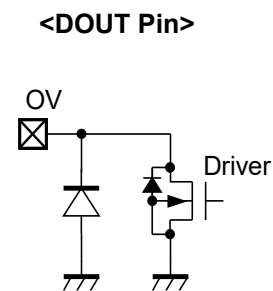
**R3160N**

---

No. EC-402-190607

**PIN DESCRIPTIONS****Pin Description**

Pin No.	Symbol	Description
1	VDD	Supply Voltage Pin
2	NC	No Connection
3	DOUT	Driver Output Pin
4	CD	Connection Pin with External Capacitor for Delay
5	TAB	TAB Pin. GND short before use.
6	GND	GND Pin

**Equivalent Circuits of Individual Pins****Equivalent Circuit for CD Pin****Equivalent Circuit for DOUT Pin**

## ABSOLUTE MAXIMUM RATINGS

Symbol	Item	Rating	Unit
$V_{DD}$	Supply Voltage	-0.3 to 80.0	V
	Peak Voltage <sup>(1)</sup>	90	
$V_{OUT}$	DOUT Pin Output Voltage	-0.3 to 7.0	V
$V_{CD}$	CD Pin Output Voltage	-0.3 to 7.0	V
$I_{OUT}$	DOUT Pin Output Voltage	20	mA
$P_D$	Power Dissipation <sup>(2)</sup> (SOT-23-6, Standard Land Pattern)	525	mW
$T_j$	Junction Temperature Range	-40 to 150	°C
$T_{stg}$	Storage Temperature Range	-55 to 150	°C

### ABSOLUTE MAXIMUM RATINGS

Electronic and mechanical stress momentarily exceeded absolute maximum ratings may cause permanent damage and may degrade the life time and safety for both device and system using the device in the field. The functional operation at or over these absolute maximum ratings are not assured.

## RECOMMENDED OPERATING CONDITIONS

Symbol	Item	Rating	Unit
$V_{DD}$	Operating Voltage	2.7 to 60.0	V
$T_a$	Operating Temperature Range	-40 to 125	°C

### RECOMMENDED OPERATING CONDITIONS

All of electronic equipment should be designed that the mounted semiconductor devices operate within the recommended operating conditions. The semiconductor devices cannot operate normally over the recommended operating conditions, even if they are used over such conditions by momentary electronic noise or surge. And the semiconductor devices may receive serious damage when they continue to operate over the recommended operating conditions.

<sup>(1)</sup> Applied Time: 200 ms or less

<sup>(2)</sup> Refer to *POWER DISSIPATION* for detailed information.

## R3160N

No. EC-402-190607

## ELECTRICAL CHARACTERISTICS

The specifications surrounded by   are guaranteed by design engineering at  $-40^{\circ}\text{C} \leq T_a \leq 125^{\circ}\text{C}$ .

### R3160Nxxx\$ (-AE) Electrical Characteristics

( $T_a = 25^{\circ}\text{C}$ )

Symbol	Item	Conditions		Min.	Typ.	Max.	Unit
$-V_{\text{DET}}$	Detector Threshold	$T_a = 25^{\circ}\text{C}$		$\times 0.99$		$\times 1.01$	V
		$-40^{\circ}\text{C} \leq T_a \leq 125^{\circ}\text{C}$	$-V_{\text{DET}} \leq 20\text{ V}$	<span style="border: 1px solid black; padding: 0 2px;"><math>\times 0.9825</math></span>		<span style="border: 1px solid black; padding: 0 2px;"><math>\times 1.0175</math></span>	
			$-V_{\text{DET}} \geq 20.5\text{ V}$	<span style="border: 1px solid black; padding: 0 2px;"><math>\times 0.985</math></span>		<span style="border: 1px solid black; padding: 0 2px;"><math>\times 1.015</math></span>	
$V_{\text{HYS}}$	Hysteresis Threshold			<span style="border: 1px solid black; padding: 0 2px;">3.4</span>	4.3	<span style="border: 1px solid black; padding: 0 2px;">5.2</span>	%
$I_{\text{SS}}$	Supply Current	$V_{\text{DD}} = -V_{\text{DET}} - 0.1\text{ V}$			1.8	<span style="border: 1px solid black; padding: 0 2px;">5.0</span>	$\mu\text{A}$
		$V_{\text{DD}} = -V_{\text{DET}} + 0.1\text{ V}$			1.8	<span style="border: 1px solid black; padding: 0 2px;">5.0</span>	
$V_{\text{DDH}}$	Maximum Operating Voltage					60	V
$V_{\text{DDL}}$	Minimum Operating Voltage					2.7	V
$V_{\text{DDL V}}$	Driver Output Minimum Operating Voltage <sup>(1)</sup>					1.5	V
$I_{\text{OUT}}$	Output Current (Driver Output Current)	R3160NxxxA	$V_{\text{DD}} = 3.0\text{ V}, V_{\text{DS}} = 0.05\text{ V}$	<span style="border: 1px solid black; padding: 0 2px;">360</span>			$\mu\text{A}$
		R3160NxxxA	$V_{\text{DD}} = -V_{\text{DET}} - 0.1\text{ V}$ $V_{\text{DS}} = 0.5\text{ V}$	3.3			mA
		R3160NxxxB	$V_{\text{DD}} = +V_{\text{DET}} + 0.1\text{ V}$ $V_{\text{DS}} = 0.5\text{ V}$				
$I_{\text{LEAK}}$	Nch. Driver Leakage Current	R3160NxxxA	$V_{\text{DD}} = 60\text{ V}, V_{\text{DS}} = 6.0\text{ V}$			<span style="border: 1px solid black; padding: 0 2px;">1.0</span>	$\mu\text{A}$
		R3160NxxxB	$V_{\text{DD}} = -V_{\text{DET}} - 0.1\text{ V}$ $V_{\text{DS}} = 6.0\text{ V}$				
$t_{\text{DELAY}}$	Release Delay Time	$-V_{\text{DET}} \times 0.9 \rightarrow V_{\text{DET}} \times 1.1$ $C_{\text{D}} = 10\text{ nF}$		<span style="border: 1px solid black; padding: 0 2px;">9</span>	18	<span style="border: 1px solid black; padding: 0 2px;">27</span>	ms

All test items listed under Electrical Characteristics are done under the pulse load condition ( $T_j \approx T_a = 25^{\circ}\text{C}$ ).

<sup>(1)</sup> The Minimum value of power supply voltage when an output voltage becomes 50 mV or less at a detection (pulled-up resistance: 100 k $\Omega$ , pulled-up voltage: 5 V).

The specifications surrounded by   are guaranteed by design engineering at  $-40^{\circ}\text{C} \leq T_a \leq 125^{\circ}\text{C}$ .

**R3160Nxxx\$ (-AE) Product-specific Electrical Characteristics**

Product Name	$-V_{\text{DET}}$ [V]					
	$T_a = 25^{\circ}\text{C}$			$-40^{\circ}\text{C} \leq T_a \leq 125^{\circ}\text{C}$		
	Min.	Typ.	Max.	Min.	Typ.	Max.
R3160N100x	9.900	10.0	10.100	9.8250	10.0	10.1750
R3160N102x	10.098	10.2	10.302	10.0215	10.2	10.3785
R3160N104x	10.296	10.4	10.504	10.2180	10.4	10.5820
R3160N106x	10.494	10.6	10.706	10.4145	10.6	10.7855
R3160N108x	10.692	10.8	10.908	10.6110	10.8	10.9890
R3160N110x	10.890	11.0	11.110	10.8075	11.0	11.1925
R3160N112x	11.088	11.2	11.312	11.0040	11.2	11.3960
R3160N114x	11.286	11.4	11.514	11.2005	11.4	11.5995
R3160N116x	11.484	11.6	11.716	11.3970	11.6	11.8030
R3160N118x	11.682	11.8	11.918	11.5935	11.8	12.0065
R3160N120x	11.880	12.0	12.120	11.7900	12.0	12.2100
R3160N122x	12.078	12.2	12.322	11.9865	12.2	12.4135
R3160N124x	12.276	12.4	12.524	12.1830	12.4	12.6170
R3160N126x	12.474	12.6	12.726	12.3795	12.6	12.8205
R3160N128x	12.672	12.8	12.928	12.5760	12.8	13.0240
R3160N130x	12.870	13.0	13.130	12.7725	13.0	13.2275
R3160N132x	13.068	13.2	13.332	12.9690	13.2	13.4310
R3160N134x	13.266	13.4	13.534	13.1655	13.4	13.6345
R3160N136x	13.464	13.6	13.736	13.3620	13.6	13.8380
R3160N138x	13.662	13.8	13.938	13.5585	13.8	14.0415
R3160N140x	13.860	14.0	14.140	13.7550	14.0	14.2450
R3160N142x	14.058	14.2	14.342	13.9515	14.2	14.4485
R3160N144x	14.256	14.4	14.544	14.1480	14.4	14.6520
R3160N146x	14.454	14.6	14.746	14.3445	14.6	14.8555
R3160N148x	14.652	14.8	14.948	14.5410	14.8	15.0590
R3160N150x	14.850	15.0	15.150	14.7375	15.0	15.2625
R3160N152x	15.048	15.2	15.352	14.9340	15.2	15.4660
R3160N154x	15.246	15.4	15.554	15.1305	15.4	15.6695
R3160N156x	15.444	15.6	15.756	15.3270	15.6	15.8730
R3160N158x	15.642	15.8	15.958	15.5235	15.8	16.0765
R3160N160x	15.840	16.0	16.160	15.7200	16.0	16.2800
R3160N162x	16.038	16.2	16.362	15.9165	16.2	16.4835
R3160N164x	16.236	16.4	16.564	16.1130	16.4	16.6870
R3160N166x	16.434	16.6	16.766	16.3095	16.6	16.8905
R3160N168x	16.632	16.8	16.968	16.5060	16.8	17.0940
R3160N170x	16.830	17.0	17.170	16.7025	17.0	17.2975
R3160N172x	17.028	17.2	17.372	16.8990	17.2	17.5010
R3160N174x	17.226	17.4	17.574	17.0955	17.4	17.7045
R3160N176x	17.424	17.6	17.776	17.2920	17.6	17.9080
R3160N178x	17.622	17.8	17.978	17.4885	17.8	18.1115
R3160N180x	17.820	18.0	18.180	17.6850	18.0	18.3150
R3160N182x	18.018	18.2	18.382	17.8815	18.2	18.5185
R3160N184x	18.216	18.4	18.584	18.0780	18.4	18.7220
R3160N186x	18.414	18.6	18.786	18.2745	18.6	18.9255
R3160N188x	18.612	18.8	18.988	18.4710	18.8	19.1290

## R3160N

No. EC-402-190607

The specifications surrounded by   are guaranteed by design engineering at  $-40^{\circ}\text{C} \leq T_a \leq 125^{\circ}\text{C}$ .

### R3160Nxxx\$ (-AE) Product-specific Electrical Characteristics

Product Name	-V <sub>DET</sub> [V]					
	T <sub>a</sub> = 25°C			-40°C ≤ T <sub>a</sub> ≤ 125°C		
	Min.	Typ.	Max.	Min.	Typ.	Max.
R3160N190x	18.810	19.0	19.190	<span style="border: 1px solid black;">18.6675</span>	19.0	<span style="border: 1px solid black;">19.3325</span>
R3160N192x	19.008	19.2	19.392	<span style="border: 1px solid black;">18.8640</span>	19.2	<span style="border: 1px solid black;">19.5360</span>
R3160N194x	19.206	19.4	19.594	<span style="border: 1px solid black;">19.0605</span>	19.4	<span style="border: 1px solid black;">19.7395</span>
R3160N196x	19.404	19.6	19.796	<span style="border: 1px solid black;">19.2570</span>	19.6	<span style="border: 1px solid black;">19.9430</span>
R3160N198x	19.602	19.8	19.998	<span style="border: 1px solid black;">19.4535</span>	19.8	<span style="border: 1px solid black;">20.1465</span>
R3160N200x	19.800	20.0	20.200	<span style="border: 1px solid black;">19.6500</span>	20.0	<span style="border: 1px solid black;">20.3500</span>
R3160N205x	20.295	20.5	20.705	<span style="border: 1px solid black;">20.1925</span>	20.5	<span style="border: 1px solid black;">20.8075</span>
R3160N210x	20.790	21.0	21.210	<span style="border: 1px solid black;">20.6850</span>	21.0	<span style="border: 1px solid black;">21.3150</span>
R3160N215x	21.285	21.5	21.715	<span style="border: 1px solid black;">21.1775</span>	21.5	<span style="border: 1px solid black;">21.8225</span>
R3160N220x	21.780	22.0	22.220	<span style="border: 1px solid black;">21.6700</span>	22.0	<span style="border: 1px solid black;">22.3300</span>
R3160N225x	22.275	22.5	22.725	<span style="border: 1px solid black;">22.1625</span>	22.5	<span style="border: 1px solid black;">22.8375</span>
R3160N230x	22.770	23.0	23.230	<span style="border: 1px solid black;">22.6550</span>	23.0	<span style="border: 1px solid black;">23.3450</span>
R3160N235x	23.265	23.5	23.735	<span style="border: 1px solid black;">23.1475</span>	23.5	<span style="border: 1px solid black;">23.8525</span>
R3160N240x	23.760	24.0	24.240	<span style="border: 1px solid black;">23.6400</span>	24.0	<span style="border: 1px solid black;">24.3600</span>
R3160N245x	24.255	24.5	24.745	<span style="border: 1px solid black;">24.1325</span>	24.5	<span style="border: 1px solid black;">24.8675</span>
R3160N250x	24.750	25.0	25.250	<span style="border: 1px solid black;">24.6250</span>	25.0	<span style="border: 1px solid black;">25.3750</span>
R3160N255x	25.245	25.5	25.755	<span style="border: 1px solid black;">25.1175</span>	25.5	<span style="border: 1px solid black;">25.8825</span>
R3160N260x	25.740	26.0	26.260	<span style="border: 1px solid black;">25.6100</span>	26.0	<span style="border: 1px solid black;">26.3900</span>
R3160N265x	26.235	26.5	26.765	<span style="border: 1px solid black;">26.1025</span>	26.5	<span style="border: 1px solid black;">26.8975</span>
R3160N270x	26.730	27.0	27.270	<span style="border: 1px solid black;">26.5950</span>	27.0	<span style="border: 1px solid black;">27.4050</span>
R3160N275x	27.225	27.5	27.775	<span style="border: 1px solid black;">27.0875</span>	27.5	<span style="border: 1px solid black;">27.9125</span>
R3160N280x	27.720	28.0	28.280	<span style="border: 1px solid black;">27.5800</span>	28.0	<span style="border: 1px solid black;">28.4200</span>
R3160N285x	28.215	28.5	28.785	<span style="border: 1px solid black;">28.0725</span>	28.5	<span style="border: 1px solid black;">28.9275</span>
R3160N290x	28.710	29.0	29.290	<span style="border: 1px solid black;">28.5650</span>	29.0	<span style="border: 1px solid black;">29.4350</span>
R3160N295x	29.205	29.5	29.795	<span style="border: 1px solid black;">29.0575</span>	29.5	<span style="border: 1px solid black;">29.9425</span>
R3160N300x	29.700	30.0	30.300	<span style="border: 1px solid black;">29.5500</span>	30.0	<span style="border: 1px solid black;">30.4500</span>
R3160N310x	30.690	31.0	31.310	<span style="border: 1px solid black;">30.5350</span>	31.0	<span style="border: 1px solid black;">31.4650</span>
R3160N320x	31.680	32.0	32.320	<span style="border: 1px solid black;">31.5200</span>	32.0	<span style="border: 1px solid black;">32.4800</span>
R3160N330x	32.670	33.0	33.330	<span style="border: 1px solid black;">32.5050</span>	33.0	<span style="border: 1px solid black;">33.4950</span>
R3160N340x	33.660	34.0	34.340	<span style="border: 1px solid black;">33.4900</span>	34.0	<span style="border: 1px solid black;">34.5100</span>
R3160N350x	34.650	35.0	35.350	<span style="border: 1px solid black;">34.4750</span>	35.0	<span style="border: 1px solid black;">35.5250</span>
R3160N360x	35.640	36.0	36.360	<span style="border: 1px solid black;">35.4600</span>	36.0	<span style="border: 1px solid black;">36.5400</span>
R3160N370x	36.630	37.0	37.370	<span style="border: 1px solid black;">36.4450</span>	37.0	<span style="border: 1px solid black;">37.5550</span>
R3160N380x	37.620	38.0	38.380	<span style="border: 1px solid black;">37.4300</span>	38.0	<span style="border: 1px solid black;">38.5700</span>
R3160N390x	38.610	39.0	39.390	<span style="border: 1px solid black;">38.4150</span>	39.0	<span style="border: 1px solid black;">39.5850</span>
R3160N400x	39.600	40.0	40.400	<span style="border: 1px solid black;">39.4000</span>	40.0	<span style="border: 1px solid black;">40.6000</span>
R3160N410x	40.590	41.0	41.410	<span style="border: 1px solid black;">40.3850</span>	41.0	<span style="border: 1px solid black;">41.6150</span>
R3160N420x	41.580	42.0	42.420	<span style="border: 1px solid black;">41.3700</span>	42.0	<span style="border: 1px solid black;">42.6300</span>
R3160N430x	42.570	43.0	43.430	<span style="border: 1px solid black;">42.3550</span>	43.0	<span style="border: 1px solid black;">43.6450</span>
R3160N440x	43.560	44.0	44.440	<span style="border: 1px solid black;">43.3400</span>	44.0	<span style="border: 1px solid black;">44.6600</span>
R3160N450x	44.550	45.0	45.450	<span style="border: 1px solid black;">44.3250</span>	45.0	<span style="border: 1px solid black;">45.6750</span>
R3160N460x	45.540	46.0	46.460	<span style="border: 1px solid black;">45.3100</span>	46.0	<span style="border: 1px solid black;">46.6900</span>
R3160N470x	46.530	47.0	47.470	<span style="border: 1px solid black;">46.2950</span>	47.0	<span style="border: 1px solid black;">47.7050</span>
R3160N480x	47.520	48.0	48.480	<span style="border: 1px solid black;">47.2800</span>	48.0	<span style="border: 1px solid black;">48.7200</span>



## R3160Nxxx\$ (-KE) Electrical Characteristics

(-40°C ≤ Ta ≤ 125°C)

Symbol	Item	Conditions	Min.	Typ.	Max.	Unit	
-V <sub>DET</sub>	Detector Threshold	Ta = 25°C	×0.99		×1.01	V	
		-40°C ≤ Ta ≤ 125°C	-V <sub>DET</sub> ≤ 20 V	×0.9825			×1.0175
			-V <sub>DET</sub> ≥ 20.5 V	×0.985			×1.015
V <sub>HYS</sub>	Hysteresis Threshold		3.4	4.3	5.2	%	
I <sub>SS</sub>	Supply Current	V <sub>DD</sub> = -V <sub>DET</sub> - 0.1 V		1.8	5.0	μA	
		V <sub>DD</sub> = -V <sub>DET</sub> + 0.1 V		1.8	5.0		
V <sub>DDH</sub>	Maximum Operating Voltage				60	V	
V <sub>DDL</sub>	Minimum Operating Voltage				2.7	V	
V <sub>DDL</sub> V	Driver Output Minimum Operating Voltage <sup>(1)</sup>				1.5	V	
I <sub>OUT</sub>	Output Current (Driver Output Current)	R3160NxxxA	V <sub>DD</sub> = 3.0 V, V <sub>DS</sub> = 0.05 V	360			μA
		R3160NxxxA	V <sub>DD</sub> = -V <sub>DET</sub> - 0.1 V	3.3			mA
			V <sub>DS</sub> = 0.5 V				
R3160NxxxB	V <sub>DD</sub> = +V <sub>DET</sub> + 0.1 V						
I <sub>LEAK</sub>	Nch. Driver Leakage Current	R3160NxxxA	V <sub>DD</sub> = 60 V, V <sub>DS</sub> = 6.0 V			1.0	μA
		R3160NxxxB	V <sub>DD</sub> = -V <sub>DET</sub> - 0.1 V				
t <sub>DELAY</sub>	Release Delay Time	-V <sub>DET</sub> × 0.9 → V <sub>DET</sub> × 1.1 C <sub>D</sub> = 10 nF	9	18	27	ms	

<sup>(1)</sup> The Minimum value of power supply voltage when an output voltage becomes 50 mV or less at a detection (pulled-up resistance: 100 kΩ, pulled-up voltage: 5 V).

## R3160N

No. EC-402-190607

### R3160Nxxx\$ (-KE) Product-specific Electrical Characteristics

Product Name	-V <sub>DET</sub> [V]					
	Ta = 25°C			-40°C ≤ Ta ≤ 125°C		
	Min.	Typ.	Max.	Min.	Typ.	Max.
R3160N100x	9.900	10.0	10.100	9.8250	10.0	10.1750
R3160N102x	10.098	10.2	10.302	10.0215	10.2	10.3785
R3160N104x	10.296	10.4	10.504	10.2180	10.4	10.5820
R3160N106x	10.494	10.6	10.706	10.4145	10.6	10.7855
R3160N108x	10.692	10.8	10.908	10.6110	10.8	10.9890
R3160N110x	10.890	11.0	11.110	10.8075	11.0	11.1925
R3160N112x	11.088	11.2	11.312	11.0040	11.2	11.3960
R3160N114x	11.286	11.4	11.514	11.2005	11.4	11.5995
R3160N116x	11.484	11.6	11.716	11.3970	11.6	11.8030
R3160N118x	11.682	11.8	11.918	11.5935	11.8	12.0065
R3160N120x	11.880	12.0	12.120	11.7900	12.0	12.2100
R3160N122x	12.078	12.2	12.322	11.9865	12.2	12.4135
R3160N124x	12.276	12.4	12.524	12.1830	12.4	12.6170
R3160N126x	12.474	12.6	12.726	12.3795	12.6	12.8205
R3160N128x	12.672	12.8	12.928	12.5760	12.8	13.0240
R3160N130x	12.870	13.0	13.130	12.7725	13.0	13.2275
R3160N132x	13.068	13.2	13.332	12.9690	13.2	13.4310
R3160N134x	13.266	13.4	13.534	13.1655	13.4	13.6345
R3160N136x	13.464	13.6	13.736	13.3620	13.6	13.8380
R3160N138x	13.662	13.8	13.938	13.5585	13.8	14.0415
R3160N140x	13.860	14.0	14.140	13.7550	14.0	14.2450
R3160N142x	14.058	14.2	14.342	13.9515	14.2	14.4485
R3160N144x	14.256	14.4	14.544	14.1480	14.4	14.6520
R3160N146x	14.454	14.6	14.746	14.3445	14.6	14.8555
R3160N148x	14.652	14.8	14.948	14.5410	14.8	15.0590
R3160N150x	14.850	15.0	15.150	14.7375	15.0	15.2625
R3160N152x	15.048	15.2	15.352	14.9340	15.2	15.4660
R3160N154x	15.246	15.4	15.554	15.1305	15.4	15.6695
R3160N156x	15.444	15.6	15.756	15.3270	15.6	15.8730
R3160N158x	15.642	15.8	15.958	15.5235	15.8	16.0765
R3160N160x	15.840	16.0	16.160	15.7200	16.0	16.2800
R3160N162x	16.038	16.2	16.362	15.9165	16.2	16.4835
R3160N164x	16.236	16.4	16.564	16.1130	16.4	16.6870
R3160N166x	16.434	16.6	16.766	16.3095	16.6	16.8905
R3160N168x	16.632	16.8	16.968	16.5060	16.8	17.0940
R3160N170x	16.830	17.0	17.170	16.7025	17.0	17.2975
R3160N172x	17.028	17.2	17.372	16.8990	17.2	17.5010
R3160N174x	17.226	17.4	17.574	17.0955	17.4	17.7045
R3160N176x	17.424	17.6	17.776	17.2920	17.6	17.9080
R3160N178x	17.622	17.8	17.978	17.4885	17.8	18.1115
R3160N180x	17.820	18.0	18.180	17.6850	18.0	18.3150
R3160N182x	18.018	18.2	18.382	17.8815	18.2	18.5185
R3160N184x	18.216	18.4	18.584	18.0780	18.4	18.7220
R3160N186x	18.414	18.6	18.786	18.2745	18.6	18.9255
R3160N188x	18.612	18.8	18.988	18.4710	18.8	19.1290

## R3160Nxxx\$ (-KE) Product-specific Electrical Characteristics

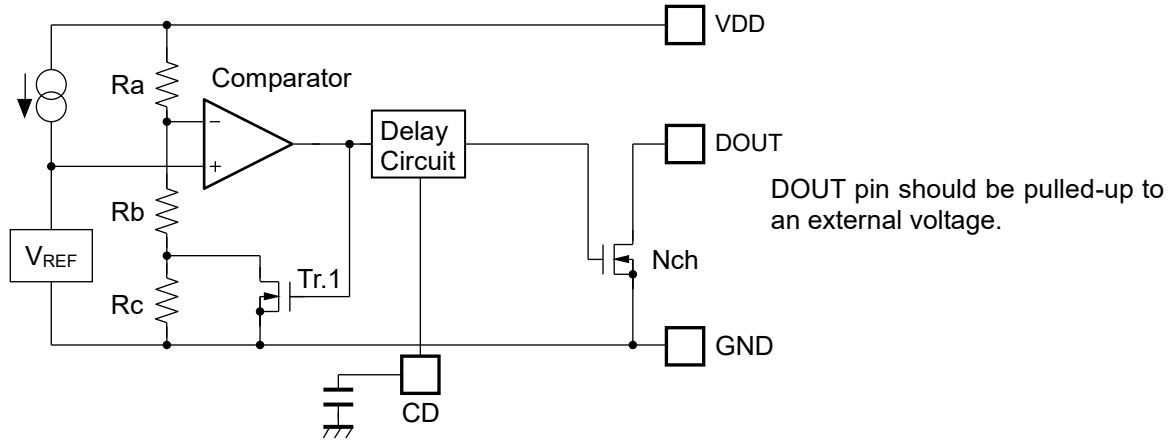
Product Name	-V <sub>DET</sub> [V]					
	Ta = 25°C			-40°C ≤ Ta ≤ 125°C		
	Min.	Typ.	Max.	Min.	Typ.	Max.
R3160N190x	18.810	19.0	19.190	18.6675	19.0	19.3325
R3160N192x	19.008	19.2	19.392	18.8640	19.2	19.5360
R3160N194x	19.206	19.4	19.594	19.0605	19.4	19.7395
R3160N196x	19.404	19.6	19.796	19.2570	19.6	19.9430
R3160N198x	19.602	19.8	19.998	19.4535	19.8	20.1465
R3160N200x	19.800	20.0	20.200	19.6500	20.0	20.3500
R3160N205x	20.295	20.5	20.705	20.1925	20.5	20.8075
R3160N210x	20.790	21.0	21.210	20.6850	21.0	21.3150
R3160N215x	21.285	21.5	21.715	21.1775	21.5	21.8225
R3160N220x	21.780	22.0	22.220	21.6700	22.0	22.3300
R3160N225x	22.275	22.5	22.725	22.1625	22.5	22.8375
R3160N230x	22.770	23.0	23.230	22.6550	23.0	23.3450
R3160N235x	23.265	23.5	23.735	23.1475	23.5	23.8525
R3160N240x	23.760	24.0	24.240	23.6400	24.0	24.3600
R3160N245x	24.255	24.5	24.745	24.1325	24.5	24.8675
R3160N250x	24.750	25.0	25.250	24.6250	25.0	25.3750
R3160N255x	25.245	25.5	25.755	25.1175	25.5	25.8825
R3160N260x	25.740	26.0	26.260	25.6100	26.0	26.3900
R3160N265x	26.235	26.5	26.765	26.1025	26.5	26.8975
R3160N270x	26.730	27.0	27.270	26.5950	27.0	27.4050
R3160N275x	27.225	27.5	27.775	27.0875	27.5	27.9125
R3160N280x	27.720	28.0	28.280	27.5800	28.0	28.4200
R3160N285x	28.215	28.5	28.785	28.0725	28.5	28.9275
R3160N290x	28.710	29.0	29.290	28.5650	29.0	29.4350
R3160N295x	29.205	29.5	29.795	29.0575	29.5	29.9425
R3160N300x	29.700	30.0	30.300	29.5500	30.0	30.4500
R3160N310x	30.690	31.0	31.310	30.5350	31.0	31.4650
R3160N320x	31.680	32.0	32.320	31.5200	32.0	32.4800
R3160N330x	32.670	33.0	33.330	32.5050	33.0	33.4950
R3160N340x	33.660	34.0	34.340	33.4900	34.0	34.5100
R3160N350x	34.650	35.0	35.350	34.4750	35.0	35.5250
R3160N360x	35.640	36.0	36.360	35.4600	36.0	36.5400
R3160N370x	36.630	37.0	37.370	36.4450	37.0	37.5550
R3160N380x	37.620	38.0	38.380	37.4300	38.0	38.5700
R3160N390x	38.610	39.0	39.390	38.4150	39.0	39.5850
R3160N400x	39.600	40.0	40.400	39.4000	40.0	40.6000
R3160N410x	40.590	41.0	41.410	40.3850	41.0	41.6150
R3160N420x	41.580	42.0	42.420	41.3700	42.0	42.6300
R3160N430x	42.570	43.0	43.430	42.3550	43.0	43.6450
R3160N440x	43.560	44.0	44.440	43.3400	44.0	44.6600
R3160N450x	44.550	45.0	45.450	44.3250	45.0	45.6750
R3160N460x	45.540	46.0	46.460	45.3100	46.0	46.6900
R3160N470x	46.530	47.0	47.470	46.2950	47.0	47.7050
R3160N480x	47.520	48.0	48.480	47.2800	48.0	48.7200

# R3160N

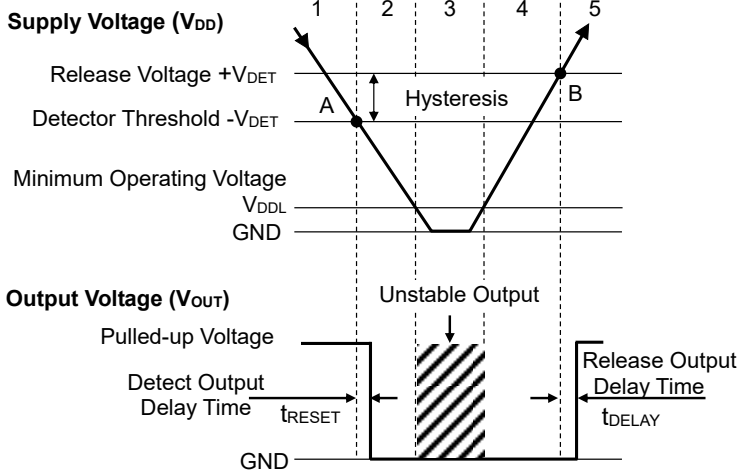
No. EC-402-190607

## THEORY OF OPERATION

### Operating Conditions (R3160NxxxA)



Block Diagram with External Capacitor



Step	1	2	3	4	5
Comparator (-) Pin Input Voltage	I	II	II	II	I
Comparator Output	L	H	Unstable	H	L
Tr.1	OFF	ON	Unstable	ON	OFF
Output Tr. (Nch)	OFF	ON	Unstable	ON	OFF

$$I \quad \frac{R_b + R_c}{R_a + R_b + R_c} \times V_{DD}$$

$$II \quad \frac{R_b}{R_a + R_b} \times V_{DD}$$

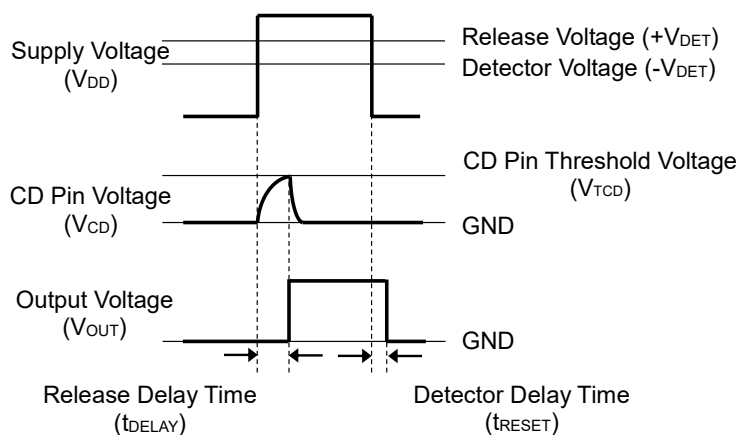
Operation Diagram

### Operating Conditions <sup>(1)</sup>

1.  $V_{OUT}$  is equalized to the pulled-up voltage.
2. When  $V_{DD}$  drops to  $-V_{DET}$  (A point) which means  $V_{REF} \geq V_{DD} \times (R_b + R_c) / (R_a + R_b + R_c)$ , the comparator output shifts from "Low" to "High" voltage and  $V_{OUT}$  becomes equal to GND.
3. If  $V_{DD}$  is lower than  $V_{DDL}$ ,  $V_{OUT}$  becomes unstable.
4.  $V_{OUT}$  becomes equal to GND.
5. When  $V_{DD}$  becomes higher than  $+V_{DET}$  (B point) which means  $V_{REF} \leq V_{DD} \times R_b / (R_a + R_b)$ , the comparator output shifts from "High" to "Low" voltage and  $V_{OUT}$  becomes equal to the pulled-up voltage.

<sup>(1)</sup> For R3160NxxxB, the output voltage logic is inverted except 3. The R3160NxxxB becomes pulled-up voltage in 3.

### Delay in Operation and Release Delay Time ( $t_{\text{DELAY}}$ )



**Release Delay Timing Diagram**

When supplying  $V_{\text{DD}}$  higher than  $+V_{\text{DET}}$  to the VDD pin, charging to an external capacitor starts and  $V_{\text{CD}}$  increases.  $V_{\text{OUT}}$  maintains “Low” until  $V_{\text{CD}}$  reaches  $V_{\text{TCD}}$ .  $V_{\text{OUT}}$  inverts from “Low” to “High” when  $V_{\text{CD}}$  exceeds  $V_{\text{TCD}}$ . The release delay time ( $t_{\text{DELAY}}$ ) is the period from supplying  $V_{\text{DD}}$  to  $V_{\text{OUT}}$  inverted.

$V_{\text{OUT}}$  inverted from “Low” to “High” starts discharging the load charged to the external capacitor. Therefore, the detector delay time ( $t_{\text{RESET}}$ ) until  $V_{\text{OUT}}$  is inverted from “High” to “Low” remains constant independent of the external capacitor, when  $V_{\text{DD}}$  lower than the  $-V_{\text{DET}}$  is supplied to the VDD pin.

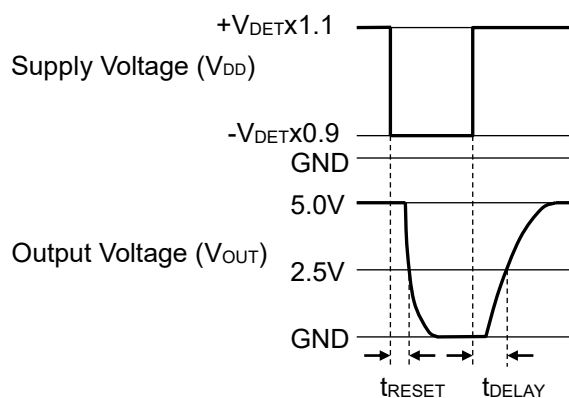
For R3160NxxxB, the above output voltage logic is inverted.

### Calculation of Release Delay Time ( $t_{\text{DELAY}}$ )

The following equation can calculate a typical value of the release delay time ( $t_{\text{DELAY}}$ ) with using the external capacitor ( $C_{\text{D}}$ ).

$$t_{\text{DELAY}} (\text{s}) = 1.8 \times 10^6 \times C_{\text{D}} (\text{F})$$

$t_{\text{DELAY}}$  is the period from supplying a pulse voltage of  $-V_{\text{DET}} \times 0.9$  to  $V_{\text{DET}} \times 1.1$  to the VDD pin to  $V_{\text{OUT}}$  reached 2.5 V after the COUT pin is pulled up to 5 V with a resistor of 100 k $\Omega$ .



**R3160NxxxA**

---

## R3160N

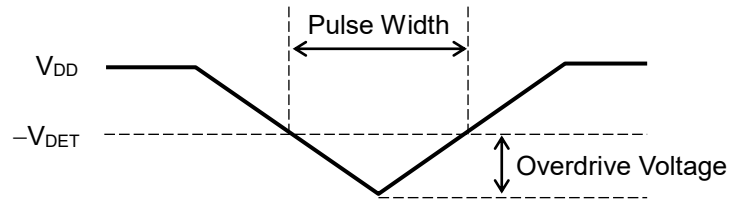
---

No. EC-402-190607

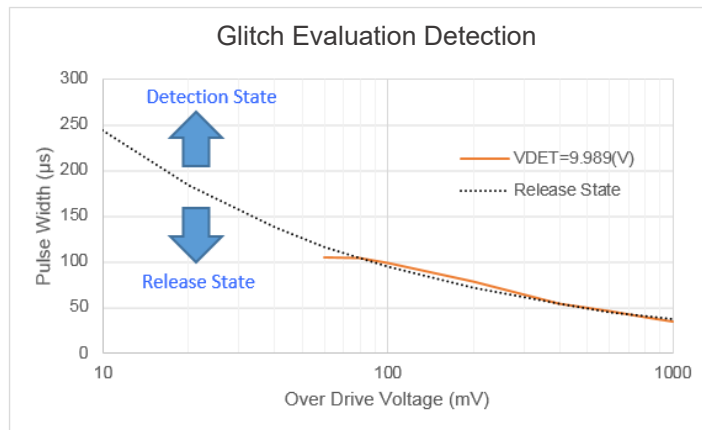
### Detection by the glitch of $V_{DD}$

The following graph shows a pulse amplitude and a pulse width, which maintain the release state when the detector voltage ( $-V_{DET}$ ) or lower pulse is input to  $V_{DD}$  at the release state.

The graph shows the maximum pulse condition that enables to maintain the release state. Note that a reset signal may be output when a pulse with larger amplitude/width than the pulse on the graph is input to  $V_{DD}$ .



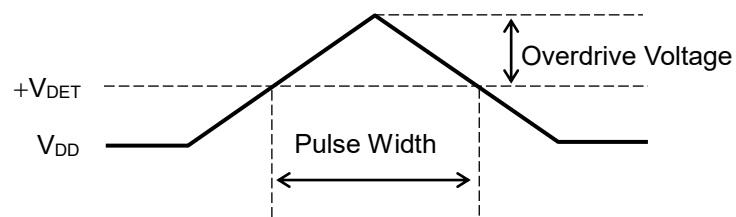
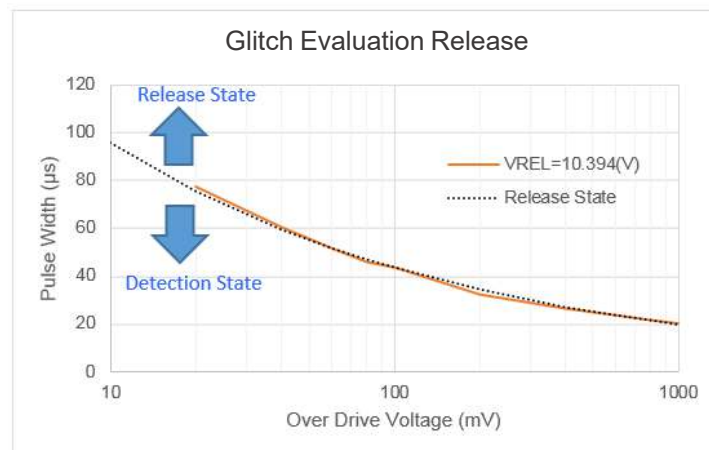
**$V_{DD}$  Input Waveform**



**Release by the glitch of  $V_{DD}$** 

The following graph shows a pulse amplitude and a pulse width, which maintain the detection state when the release voltage ( $+V_{DET}$ ) or higher pulse is input to  $V_{DD}$  at the detection state.

The graph shows the maximum pulse condition that enables to maintain the detection state. Note that a release signal may be output when a pulse with larger amplitude/width than the pulse on the graph is input to  $V_{DD}$ .

 **$V_{DD}$  Input Waveform**

---

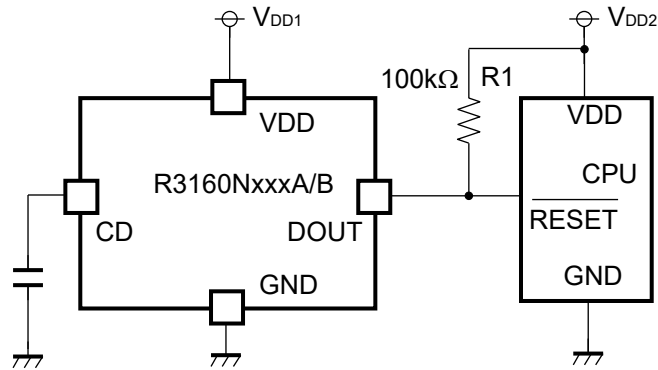
## R3160N

---

No. EC-402-190607

## APPLICATION INFORMATION

### Typical Application Circuit



R3160Nxxx A/B Typical Application Circuit

### Recommended External Components

Symbol	Description
$C_D$	A capacitor corresponding to the release delay time setting is required. Refer to <i>Delay in Operation and Release Delay Time (<math>t_{DELAY}</math>)</i> in <i>THEORY OF OPERATION</i> for details.
R1	A resistor is required to set with consideration of the output current at Nch. driver's ON and the leakage current at Nch. driver's OFF. Refer to <i>ELECTRICAL CHARACTERISTICS</i> for details – the evaluation result provided with a resistor of 100 kΩ used.



## TECHNICAL NOTES

### When connecting resistors to the device's input pin

When connecting a resistor (R1) to an input of this device, the input voltage decreases by [Device's Consumption Current] x [Resistance Value] only. And, the cross conduction current, which occurs when changing from the detecting state to the release state, is decreased the input voltage by [Cross Conduction Current] x [Resistance Value] only. And then, this device will enter the re-detecting state if the input voltage reduction is larger than the difference between the detector voltage and the released voltage.

When the input resistance value is large and the VDD is gone up at mildly in the vicinity of the released voltage, repeating the above operation may result in the occurrence of output.

As shown in Figure A/B, set R1 to become 100 kΩ or less as a guide, and connect C<sub>IN</sub><sup>(1)</sup> of 0.1 μF and more to between the input pin and GND. Besides, make evaluations including temperature properties under the actual usage condition, with using the evaluation board like this way. As result, make sure that the cross conduction current has no problem.

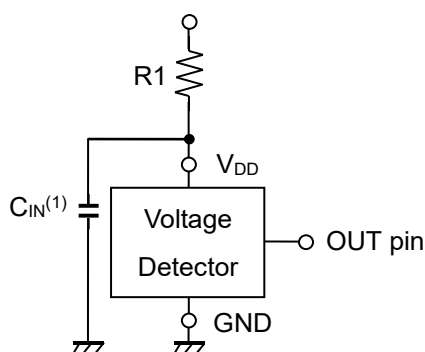


Figure A

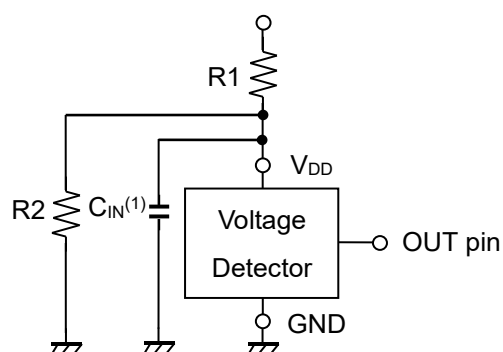


Figure B

<sup>(1)</sup> Note the bias dependence of capacitors.

---

## R3160N

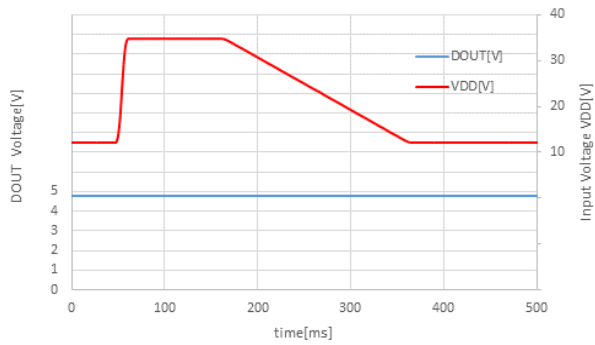
---

No. EC-402-190607

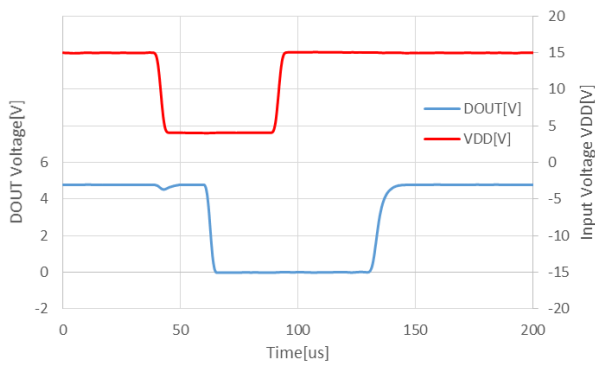
### TYPICAL CHARACTERISTICS

Typical Characteristics are intended to be used as reference data, they are not guaranteed.

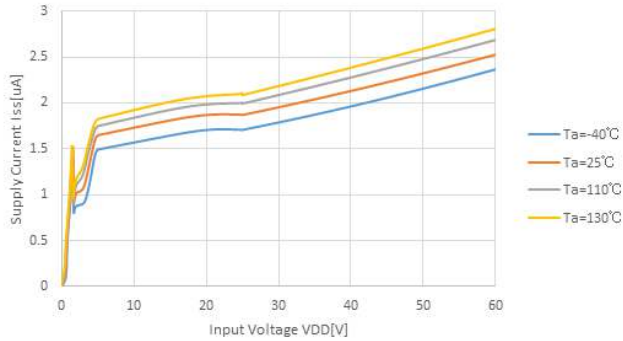
- 1) Load Dump (Ta = 25°C)  
VDD = 12 V → 35 V (Tr = 1 ms) → 12 V (Tf = 170 ms)  
R3160N100A



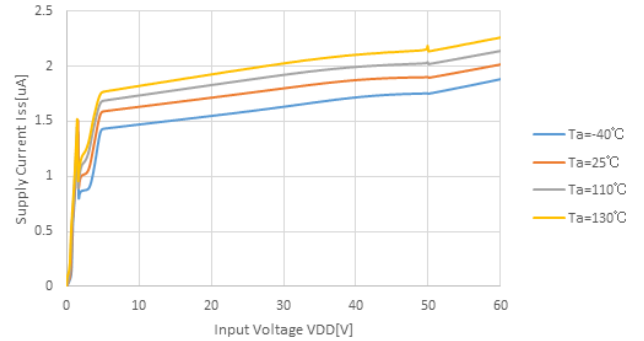
- 2) Cranking (Ta = 25°C)  
VDD = 15 V → 4 V → 15 V (Tr = Tf = 1 μs)  
R3160N100A, CD = none



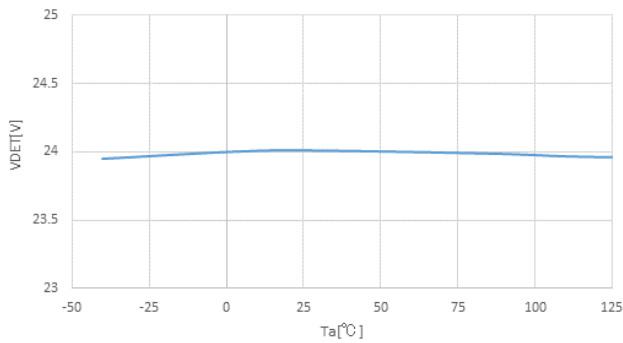
**3) Supply Current vs.  $V_{DD}$**   
R3160N240A



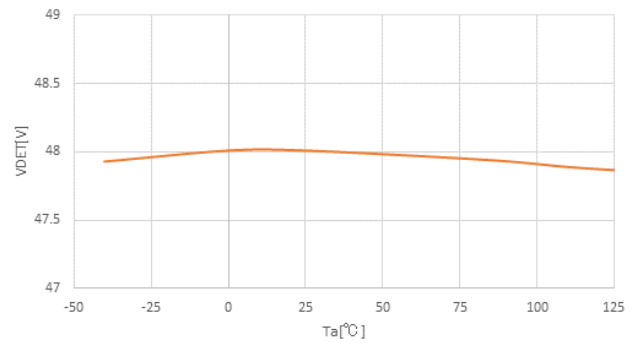
R3160N480A



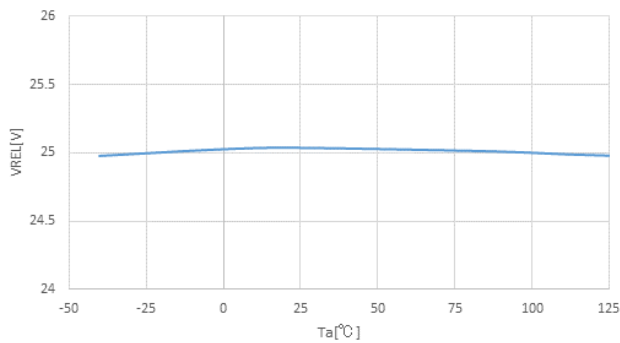
**4) Detector Voltage vs. Ambient Temperature**  
R3160N240A



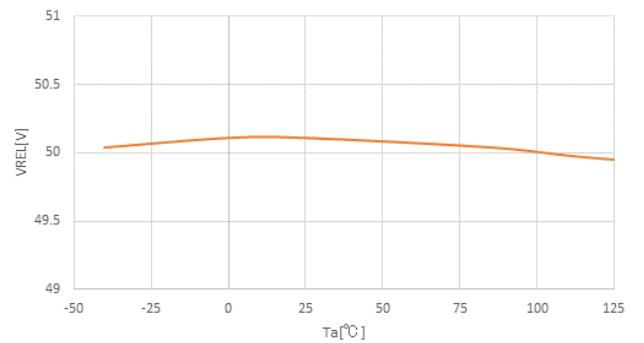
R3160N480A



**5) Release Voltage vs. Ambient Temperature**  
R3160N240A



R3160N480A



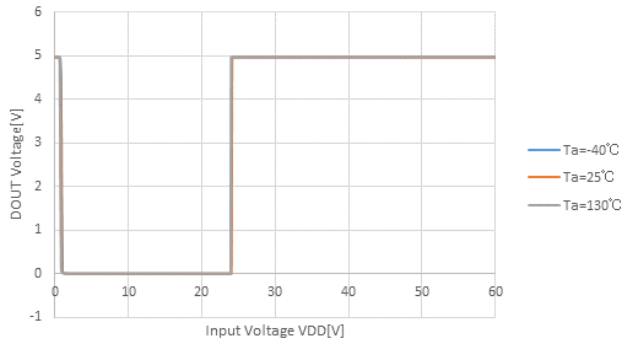
---

## R3160N

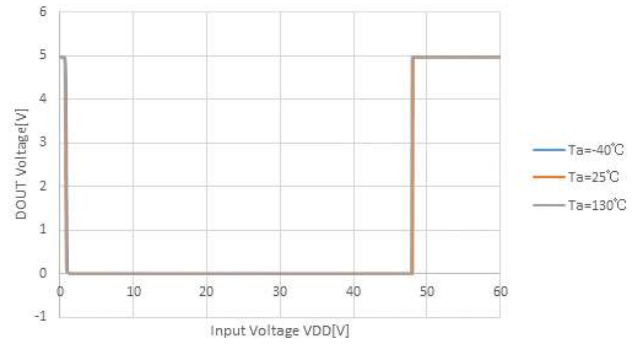
---

No. EC-402-190607

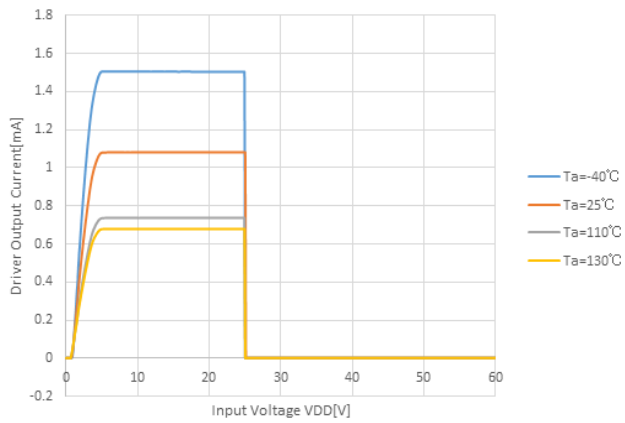
6) DOUT Voltage vs. Input Voltage  
DOUT: 5 V pulled up with 100 kohm  
R3160N240A



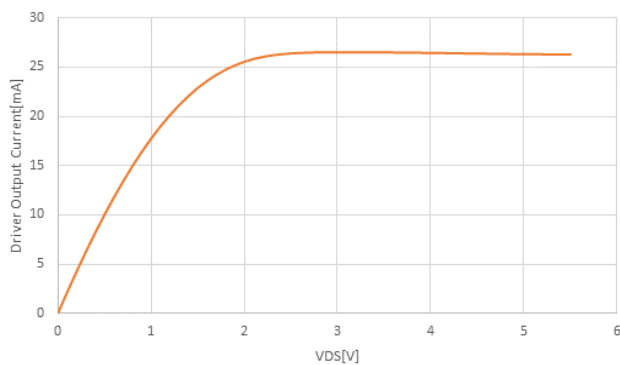
R3160N480A



7) Driver Output Current vs. Input Voltage  
DOUT = 0.05 V  
R3160N240A



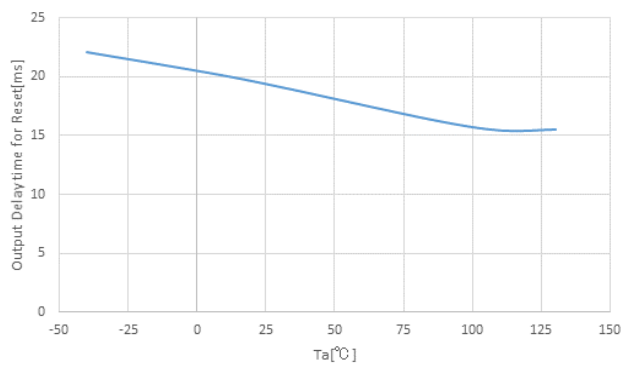
8) Driver Output Current vs. VDS (Ta = 25°C)  
VDD = VDET - 0.1 V, DOUT = 0 V → 5.5 V  
R3160N240A



## 9) Release Delay Time vs. Ambient Temperature

R3160N240A

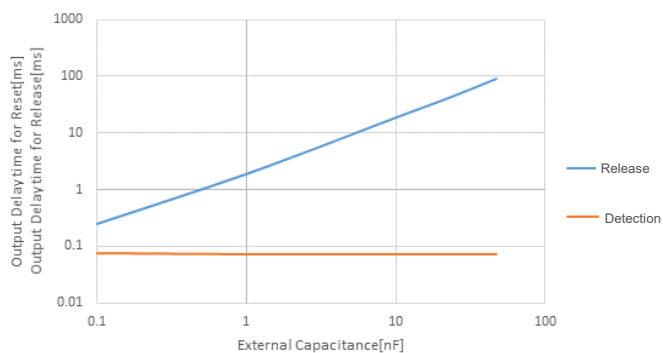
CD = 10 nF



## 10) Detector/Release Delay Time vs. External Capacitor for CD Pin (Ta = 25°C)

R3160N240A

CD = 100 pF to 47 nF



The power dissipation of the package is dependent on PCB material, layout, and environmental conditions. The following conditions are used in this measurement.

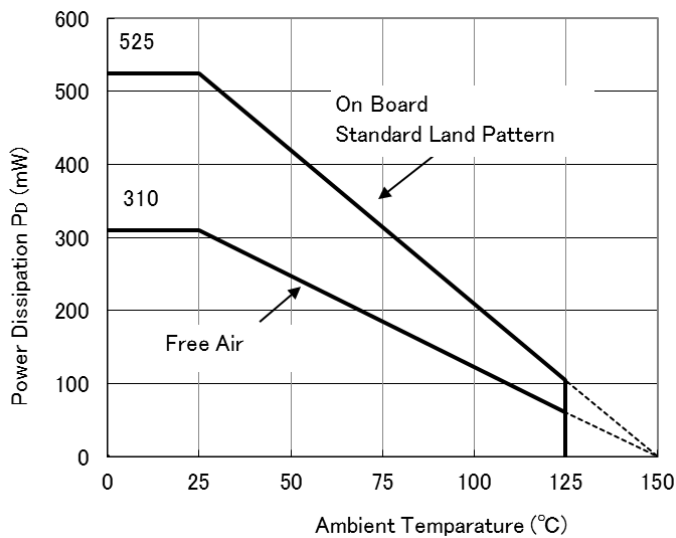
**Measurement Conditions**

	<b>Standard Test Land Pattern</b>
Environment	Mounting on Board (Wind Velocity = 0 m/s)
Board Material	Glass Cloth Epoxy Plastic (Double-Sided Board)
Board Dimensions	40 mm × 40 mm × 1.6 mm
Copper Ratio	Top Side: Approx. 50% Bottom Side: Approx. 50%
Through-holes	φ 0.5 mm × 44 pcs

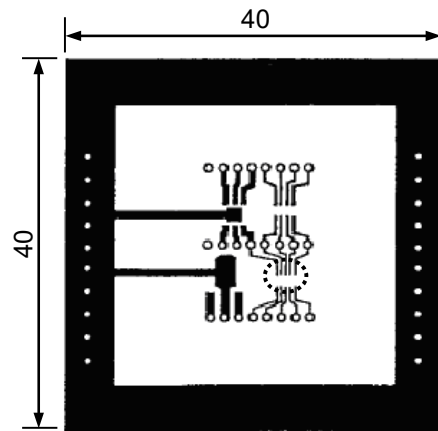
**Measurement Result**

(Ta = 25°C, Tjmax = 150°C)

	<b>Standard Test Land Pattern</b>	<b>Free Air</b>
Power Dissipation	525 mW	310 mW
Thermal Resistance	$\theta_{ja} = (150 - 25^\circ\text{C}) / 0.525 \text{ W} = 238^\circ\text{C/W}$	400°C / W

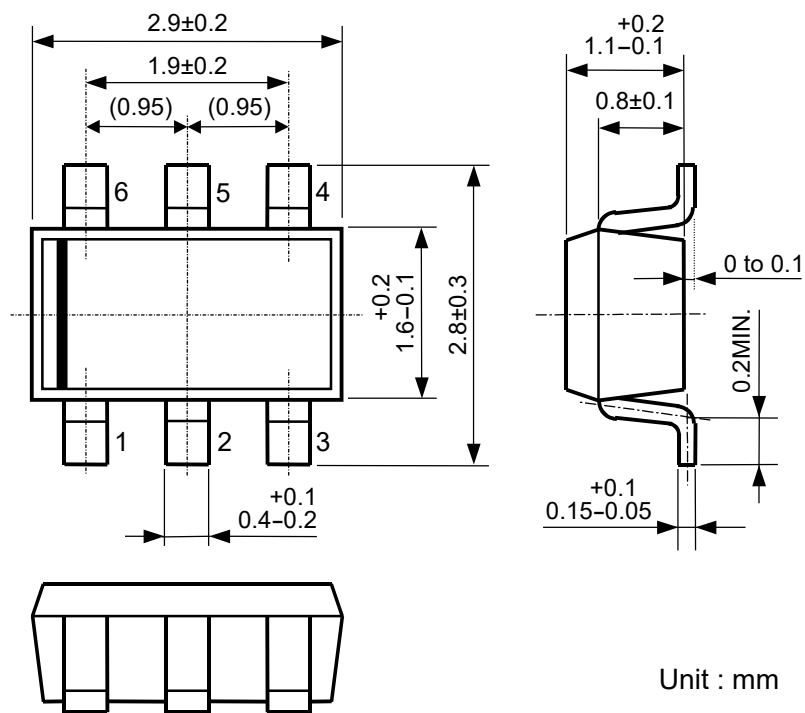


**Power Dissipation vs. Ambient Temperature**



○ IC Mount Area (mm)

**Measurement Board Pattern**



Unit : mm

SOT-23-6 Package Dimensions



1. The products and the product specifications described in this document are subject to change or discontinuation of production without notice for reasons such as improvement. Therefore, before deciding to use the products, please refer to our sales representatives for the latest information thereon.
2. The materials in this document may not be copied or otherwise reproduced in whole or in part without prior written consent of our company.
3. Please be sure to take any necessary formalities under relevant laws or regulations before exporting or otherwise taking out of your country the products or the technical information described herein.
4. The technical information described in this document shows typical characteristics of and example application circuits for the products. The release of such information is not to be construed as a warranty of or a grant of license under our company's or any third party's intellectual property rights or any other rights.
5. The products in this document are designed for automotive applications. However, when using the products for automotive applications, please make sure to contact our sales representative in advance due to confirming the quality level.
6. We are making our continuous effort to improve the quality and reliability of our products, but semiconductor products are likely to fail with certain probability. In order to prevent any injury to persons or damages to property resulting from such failure, customers should be careful enough to incorporate safety measures in their design, such as redundancy feature, fire containment feature and fail-safe feature. We do not assume any liability or responsibility for any loss or damage arising from misuse or inappropriate use of the products.
7. Anti-radiation design is not implemented in the products described in this document.
8. The X-ray exposure can influence functions and characteristics of the products. Confirm the product functions and characteristics in the evaluation stage.
9. WLCSP products should be used in light shielded environments. The light exposure can influence functions and characteristics of the products under operation or storage.
10. There can be variation in the marking when different AOI (Automated Optical Inspection) equipment is used. In the case of recognizing the marking characteristic with AOI, please contact our sales or our distributor before attempting to use AOI.
11. Please contact our sales representatives should you have any questions or comments concerning the products or the technical information.



**Nisshinbo Micro Devices Inc.**

**Official website**

<https://www.nisshinbo-microdevices.co.jp/en/>

**Purchase information**

<https://www.nisshinbo-microdevices.co.jp/en/buy/>

