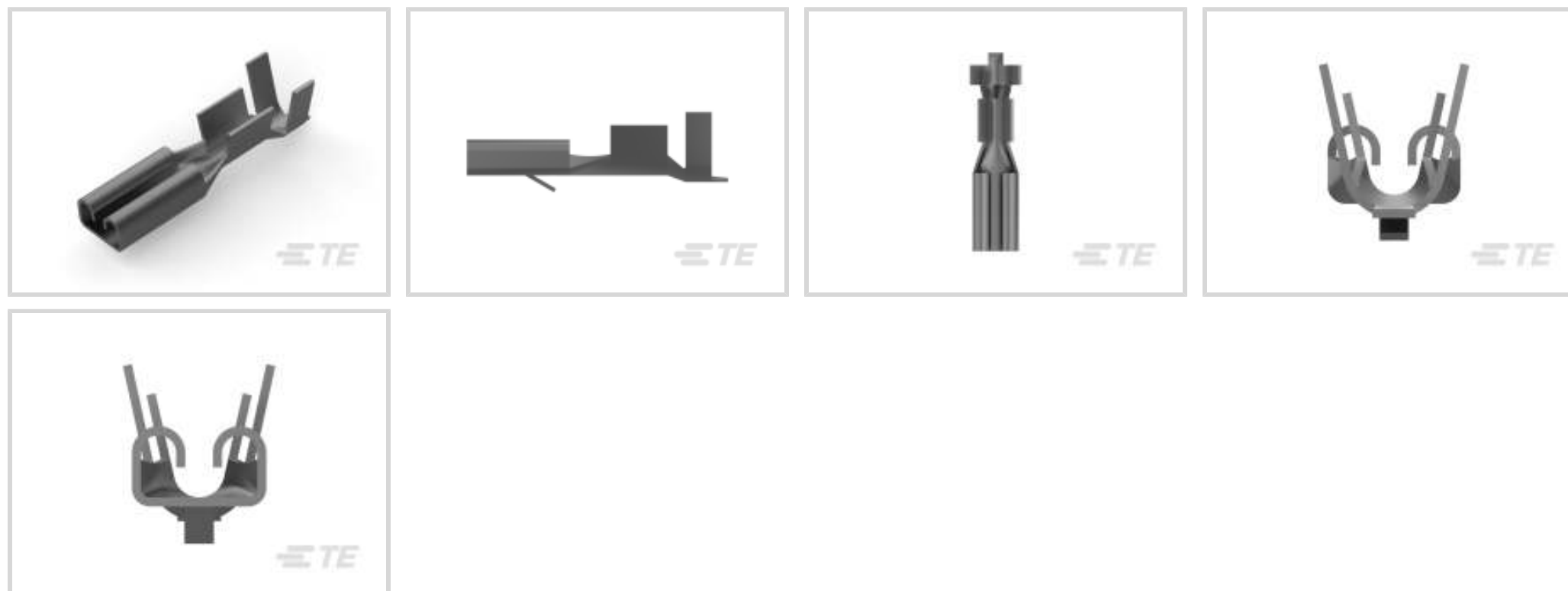




Terminals & Splices > Quick Disconnects

Quick Disconnect Terminal Type: **Receptacle**Wire Size: **2048 – 3256 CMA**Mating Tab Width: **2.8 mm [.11 in]**

Features

Contact Features

Quick Disconnect Terminal Type	Receptacle
Mating Tab Width	2.8 mm [.11 in]
Mating Tab Thickness	.8 mm [.009 in]
Terminal Orientation	Straight
Contact Base Material	Brass
Terminal Plating Material	Tin
Crimp Type	F-Crimp
Barrel Type	Open

Termination Features

Product Terminates To	Wire & Cable
-----------------------	--------------

Mechanical Attachment

Wire Insulation Support	With
Mating Retention Type	Dimple

Dimensions

Terminal Material Thickness	.25 mm [.01 in]
Product Length	15 mm [.59 in]



Compatible Insulation Diameter Range	2.2 – 2.7 mm [.088 – .106 in]
--------------------------------------	-------------------------------

Wire Size	2048 – 3256 CMA
-----------	-----------------

Usage Conditions

Insulation Option	Uninsulated
-------------------	-------------

Operating Temperature Range	-40 – 130 °C [-40 – 266 °F]
-----------------------------	-----------------------------

Packaging Features

Packaging Quantity	15000
--------------------	-------

Packaging Method	Reel
------------------	------

Product Compliance

[For compliance documentation, visit the product page on TE.com>](#)

EU RoHS Directive 2011/65/EU	Compliant
------------------------------	-----------

EU ELV Directive 2000/53/EC	Compliant
-----------------------------	-----------

China RoHS 2 Directive MIIT Order No 32, 2016	No Restricted Materials Above Threshold
-----------------------------------------------	-----------------------------------------

EU REACH Regulation (EC) No. 1907/2006	Current ECHA Candidate List: JUNE 2023 (235) Candidate List Declared Against: JUNE 2023 (235) Does not contain REACH SVHC
----------------------------------------	---------------------------------------------------------------------------------------------------------------------------------

Halogen Content	Low Halogen - Br, Cl, F, I < 900 ppm per homogenous material. Also BFR/CFR/PVC Free
-----------------	-------------------------------------------------------------------------------------

Solder Process Capability	Not applicable for solder process capability
---------------------------	----------------------------------------------

Product Compliance Disclaimer

This information is provided based on reasonable inquiry of our suppliers and represents our current actual knowledge based on the information they provided. This information is subject to change. The part numbers that TE has identified as EU RoHS compliant have a maximum concentration of 0.1% by weight in homogenous materials for lead, hexavalent chromium, mercury, PBB, PBDE, DBP, BBP, DEHP, DIBP, and 0.01% for cadmium, or qualify for an exemption to these limits as defined in the Annexes of Directive 2011/65/EU (RoHS2). Finished electrical and electronic equipment products will be CE marked as required by Directive 2011/65/EU. Components may not be CE marked. Additionally, the part numbers that TE has identified as EU ELV compliant have a maximum concentration of 0.1% by weight in homogenous materials for lead, hexavalent chromium, and mercury, and 0.01% for cadmium, or qualify for an exemption to these limits as defined in the Annexes of Directive 2000/53/EC (ELV). Regarding the REACH Regulation, the information TE provides on SVHC in articles for this part number is based on the latest European Chemicals Agency (ECHA) 'Guidance on requirements for substances in articles' posted at this URL: <https://echa.europa.eu/guidance-documents/guidance-on-reach>

Compatible Parts




TE Part # 2-2150922-1
 OC-PA-E-FM-080F140F-001-0034



TE Part # 2-2150922-2
 OC-PA-E-FA-080F140F-001-0034



TE Part # 2150922-1
 OC-AT-E-FM-080F140F-001-0034




TE Part # 2150922-2
 OC-AT-E-FA-080F140F-001-0034




KIT
 REPRESENTATION ONLY

TE Part # 7-2150922-7
 OC-080F140F-CRIMPTOOLINGKIT


Also in the Series | **FASTIN-FASTON 110**




Automotive Housings(6)




Automotive Terminals(6)



Crimp Terminal Housings(34)



Insertion & Extraction Tools(3)

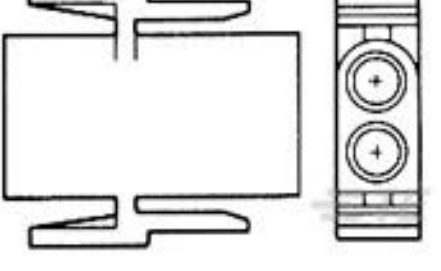


Quick Disconnects(83)

Customers Also Bought



TE Part #282105-1
 AMP SUPERSEAL 1.5 SERIES 3P CA



TE Part #1-350346-0
 03P .140 MNL PLUG P/M NAT



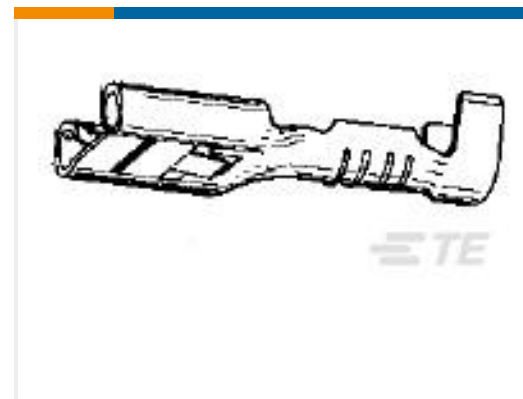
TE Part #881632-1
 Timer Connector Housing



TE Part #880110
 FASTON HOUSING RECEPTACLE
 NAT NYLON



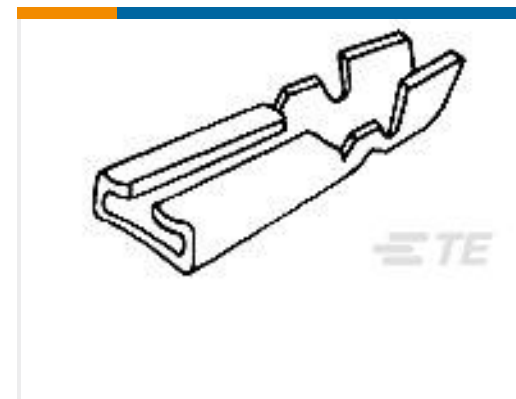
TE Part #880573
3 WAY FASTIN-ON HOUSING REC
PA66 NAT



TE Part #735222-2
FF 250 REC 1.0-2.5 MM2 0.32X 19.30
BR



TE Part #626094-2
FF .250 REC 0.5 /1.0 MM2 0.32X19.3
TPBR



TE Part #42765-1
TAPER TAB 078 REVERSE REEL REC
24-22TPBR



TE Part #880688-2
FF 250 TERMINAL 0.5-1.0MM2 0.39
X13.2TPBR

Documents

Product Drawings

[FF 110 REC 1.0-1.5 MM2 0.25X12.32 PTPBR](#)

English

CAD Files

[3D PDF](#)

3D

Customer View Model

[ENG_CVM_CVM_880635-5_G2.2d_dxf.zip](#)

English

Customer View Model

[ENG_CVM_CVM_880635-5_G2.3d_igs.zip](#)

English

Customer View Model

[ENG_CVM_CVM_880635-5_G2.3d_stp.zip](#)

English

By downloading the CAD file I accept and agree to the [Terms and Conditions](#) of use.

Product Specifications

[FASTIN-FASTON CONN. .110 INCH, .187 INCH, .250 INCH, .375 INCH SRS.](#)

English

Product Specification

English