

6

5

4

3

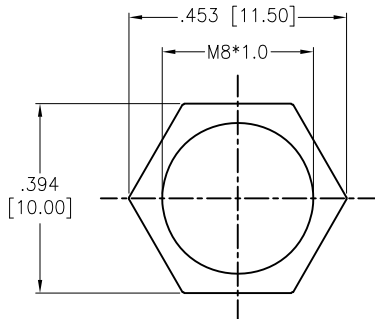
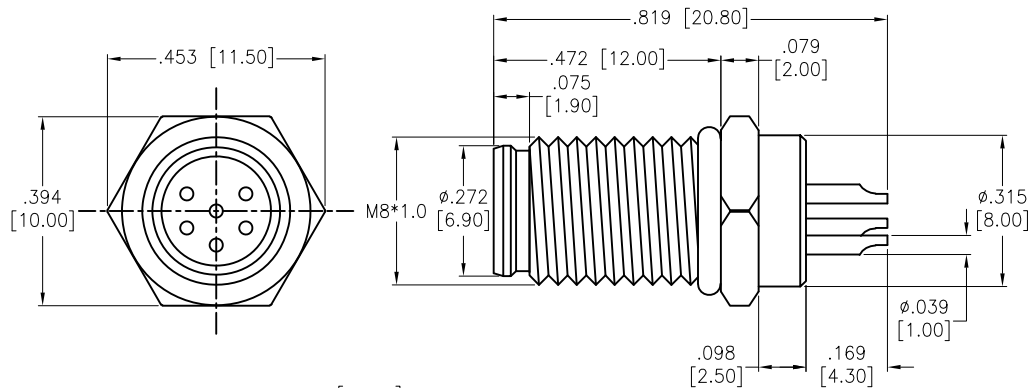
2

1

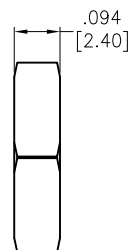
APPROVED: \_\_\_\_\_

DATE: \_\_\_\_\_ TITLE: \_\_\_\_\_

Rev	AWO #	Description	Date	Appr
-		RELEASED	6/1/16	
A		UPDATE DRAWING	10/12/22	WX/CK



Nut

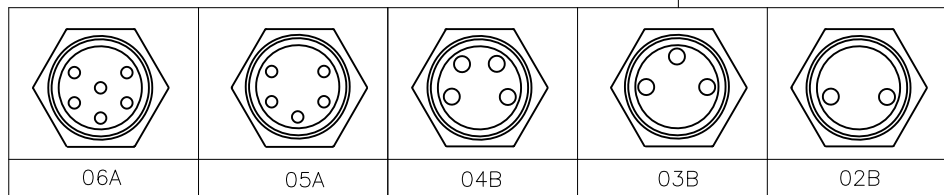


RECOMMENDED PANEL CUT

SD-MMEXXX-MMTPH-SX0-000  
 7=IP67

SD-MMEXXX-MMTPH-SX0-000

HOUSING	PBT	BLACK
NUT	BRASS, NICKEL PLATED	
O-RING	NBR	BLACK
CONTACT	BRASS, 10u" GOLD PLATED	
SHELL	BRASS, NICKEL PLATED	
PART NAME	DESCRIPTION	COLOR



SPECIFICATIONS:

Electrical:

Voltage rating: 60V

Current rating: XXA=1A, XXB=3A

Temperature Rating:

Operating temperature: -40°C to +105°C

Environmental:

Waterproof: IP67

Lead free, RoHS compliant.



UNLESS OTHERWISE SPECIFIED ALL DIMENSIONS ARE INCHES [MM]. TOLERANCES: EXCEPT AS NOTED

INCHES		HOLES	
.X	± .10	Ø.X	± .10
.XX	± .020	Ø.XX	± .015
.XXX	± .015	Ø.XXX	± .010

DRAWN	HR	6/1/16
CHECKED	CK	6/1/16
APPROVED		

THIS DRAWING CONTAINS INFORMATION THAT IS PROPRIETARY AND SHOULD NOT BE USED WITHOUT PRIOR WRITTEN PERMISSION FROM ADAM TECH



909 Rahway Avenue,  
 Union, NJ 07083  
 Phone: 908-687-5000  
 Fax: 908-687-5710

TITLE WATERPROOF CONNECTOR, MALE, M8  
 SCREW MOUNT, SOLDER TYPE

SIZE X	PART NO. SD-MMEXXX-MMTPH-SX0-000	REV. -
REF: S00298T	SCALE: NTS	SHEET 1 OF 1

6

5

4

3

2

1