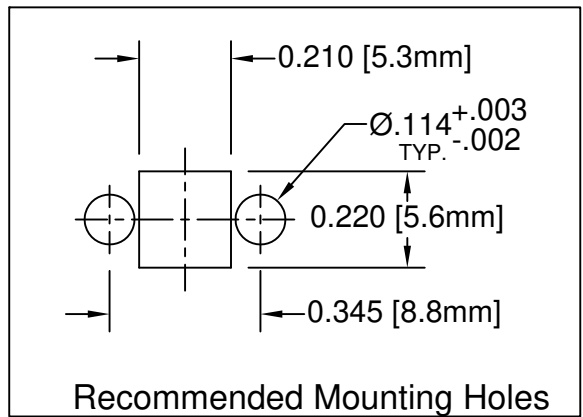
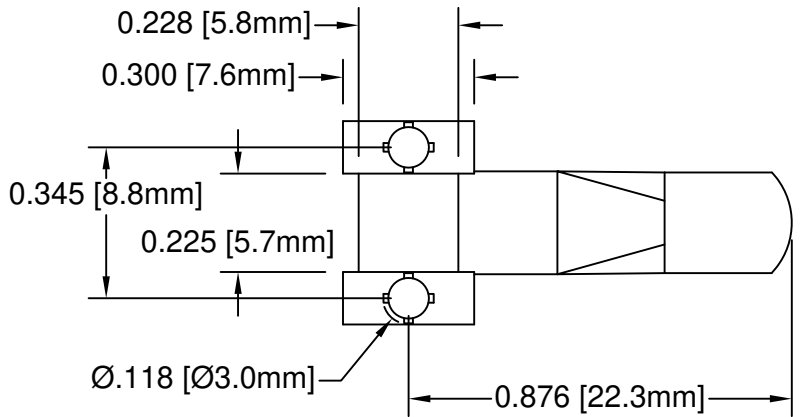
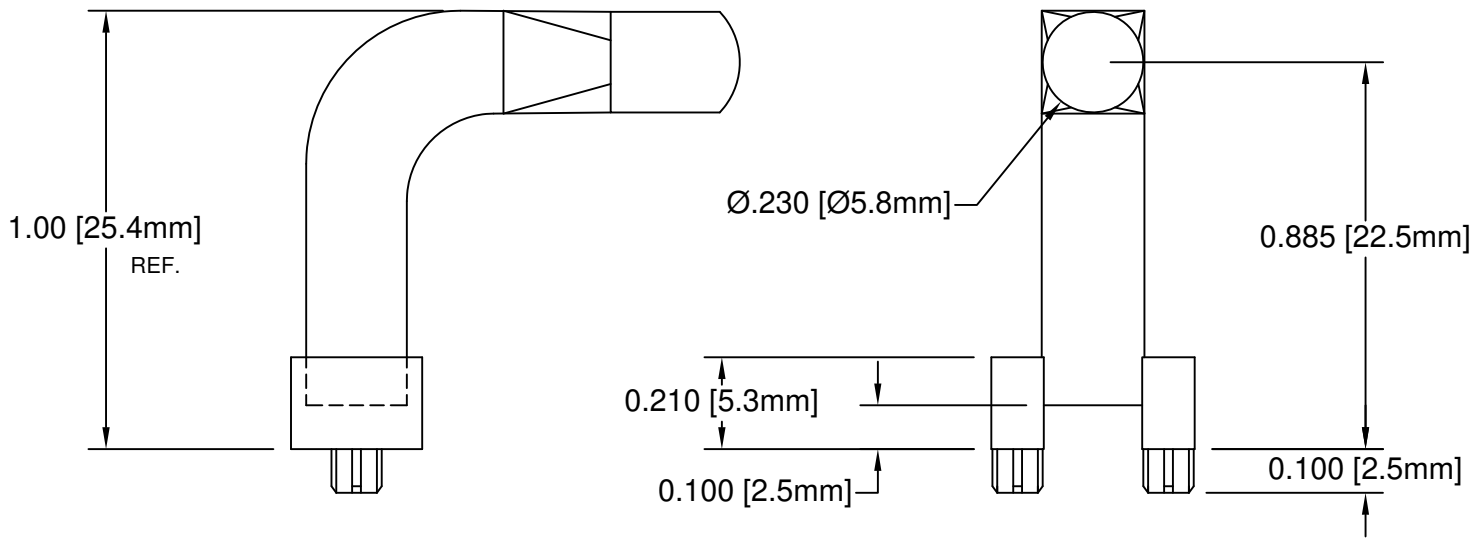

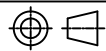


REV.	DESCRIPTION	DATE	APPROVED
C	Engineering Update w/o Changes	03/08/04	M. C.
D	Added Color Options, Sheet #2.	02/02/16	J. C.



2. MATERIAL: POLYCARBONATE 94V-0 CLEAR.
 1. GENERAL SPECIFICATIONS: BIVAR MOLDED COMPONENT SPECIFICATION BV00-E101.

STANDARD TOLERANCE (UNLESS OTHERWISE SPECIFIED)		 4 THOMAS, IRVINE, CA. 92618 TEL.: (949) 951-8808 FAX: (949) 951-3974	
DECIMALS	ANGULAR		
.X ±.1	X° ± 1°	 TITLE: LIGHT PIPE, 90° SURFACE MOUNT PART NO: LP5-1000 REVISION: D	
.XX ±.01			
.XXX ±.005			
DESIGNED: Shane Irving	DATE: 06/12/00	CAGE CODE : 32559	SHEET # 1 OF 2
CHECKED: M. Chen	DATE: 07/23/01	CAD GENERATED DOCUMENT. DO NOT MEASURE DRAWING.	

OTHER AVAILABLE COLORS

* SEE TABLE FOR ORDERING INFORMATION

REV.	DESCRIPTION	DATE	APPROVED
	SEE SHEET #1		


LP5-1000

RIGID LIGHT PIPE SERIES

COLOR	Order Code
BLUE	BE
BLACK	BK
GREEN	GN
GRAY	GY
RED	RD
YELLOW	YW

NOTE: LEAVE ORDER CODE BLANK IF NO COLOR IS DESIRED.

3. PARTS ARE DYED TO COLOR UPON REQUEST.

STANDARD TOLERANCE (UNLESS OTHERWISE SPECIFIED) DECIMALS ANGULAR		BIVAR [®] 4 THOMAS, IRVINE, CA. 92618 TEL: (949) 951-8808 FAX: (949) 951-3974	
		 TITLE: LIGHT PIPE, 90° SURFACE MOUNT	
DESIGNED: K. Aukshunas	DATE: 01/22/16	PART NO: LP5-1000	REVISION: D
CHECKED: J. Chiang	DATE: 01/22/16	CAGE CODE : 32559	SHEET # 2 OF 2
CAD GENERATED DOCUMENT. DO NOT MEASURE DRAWING.			