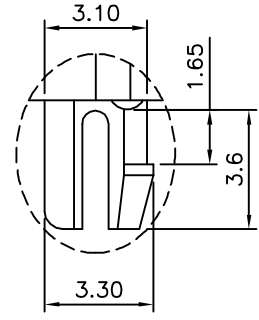
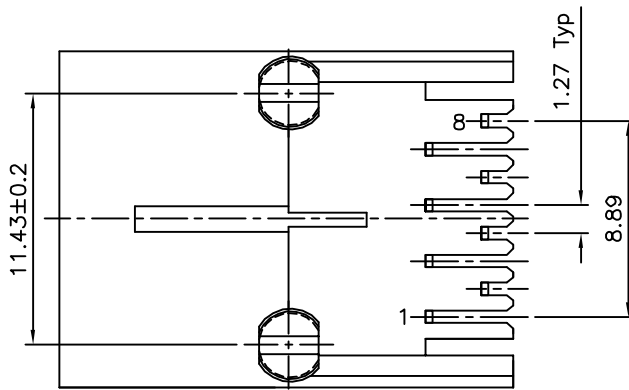
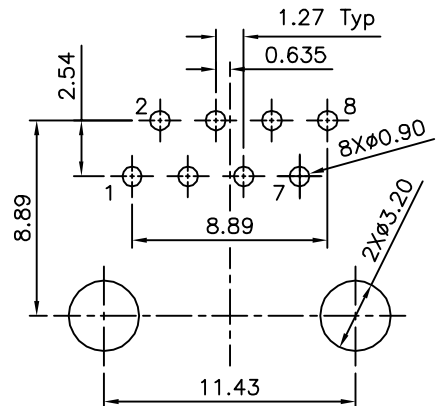


△ SPECIFICATION
 Housing: PBT+G.F.(UL94V-0), Black
 Contact: Phosphor Bronze
 Gold Plated 06u" On Contact Area,
 Gold Flash On Other Area, Over Nickel
 Cavity Confirms To FCC Rules And Regulations
 Part 68, Subpart F.
 RoHS Compliant



△ Recommended P.C.B. Layout
 Recommended P.C.B. Thickness: 1.6mm
 Tolerance: ±0.05 (Top View)

4UCON 元化興業股份有限公司
 4UCON TECHNOLOGY INC.

DRAWING No.		APPROVED BY		UNLESS OTHERWISE SPECIFIED TOLERANCES ARE .X ±0.25 .XX ±0.13 .XXX ±0.05
04908		MEI		
		CHECKED BY HZF		
		DRAWING BY GAO		
SCALE	NONE	REV.	A2	UNIT mm

NO.	REV.	REVISIONS	CHK	DATE
△ A2		Modify Data	HZF	12/04/2012
△ A1		Modify Data	HZF	10/12/2011
△ A0		NEW RELEASE		