

THIS DRAWING IS UNPUBLISHED.

RELEASED FOR PUBLICATION

20

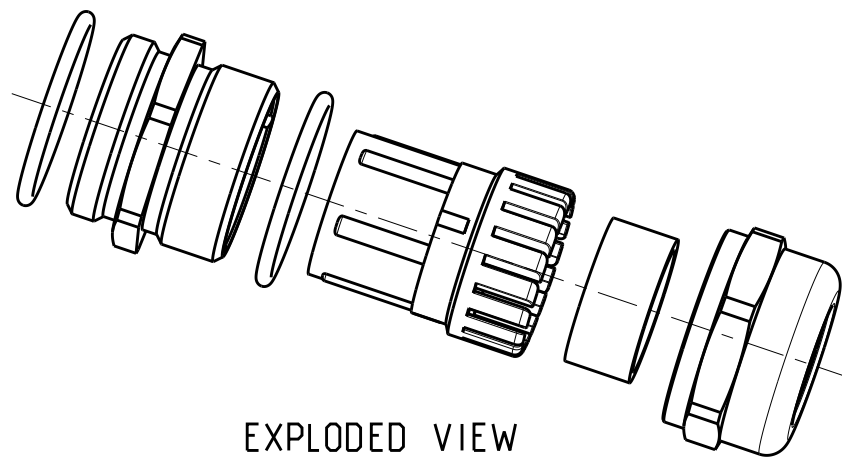
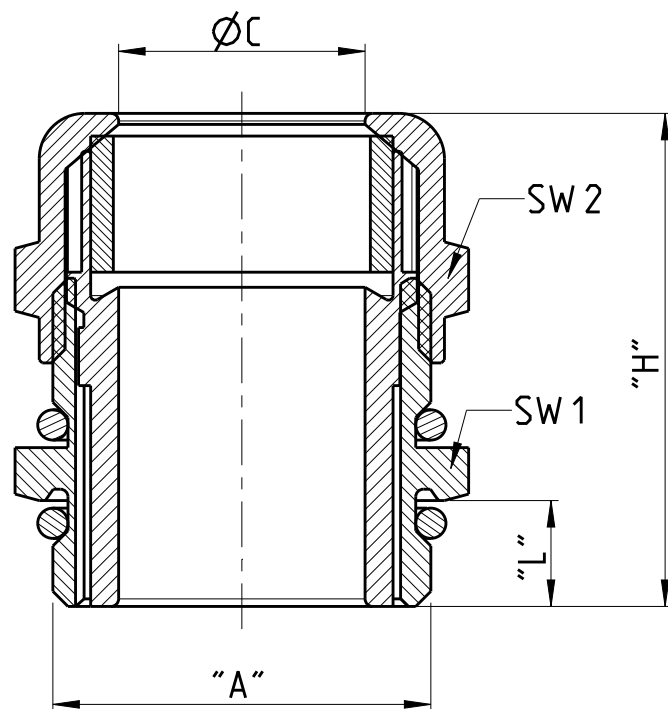
© COPYRIGHT 20 BY -

ALL RIGHTS RESERVED.

REVISIONS

P	LTR	DESCRIPTION	DATE	DWN	APVD
A3		REVISED PER ECO-11-010801	25MAY2011	HMR	MM
A4		ECR-15-008928	25JUN2015	GSK	JB
A5		REVISED PER ECR-17-014412	03APR18	NG	MKO

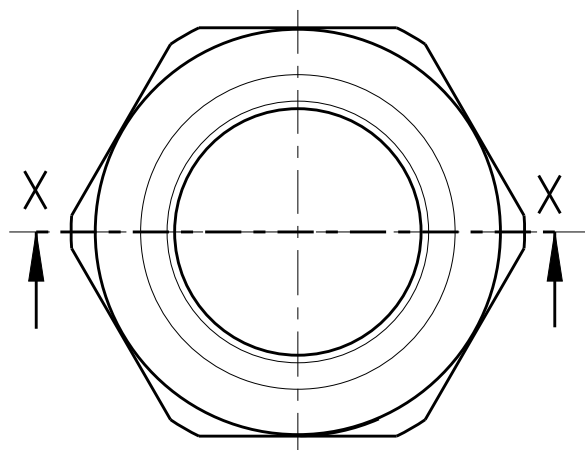
X-X
2:1



EXPLODED VIEW

Notes

- MATERIALS:
 DOME NUT AND GLAND BODY - POLYAMIDE PA6 V-2
 SEALING RING - POLYCHLOROPRENE-NITRILE RUBBER CR/NBR



3	SUPERSEDED BY T3209501222-001 OR T3209501202-001	5-0	HUT.M50.P	M50x1.5	27-35	55	61.5	12
3	SUPERSEDED BY T3209401222-001	4-0	HUT.M40.P	M40x1.5	19-28	46	51	10
3	SUPERSEDED BY T3209321212-001 OR T3209321222-001	3-2	HUT.M32.P	M32x1.5	15-21	36	50	10
4	SUPERSEDED BY T3209251212-001 OR T3209251222-001	2-5	HUT.M25.P	M25x1.5	11-17	29	43	8
4	SUPERSEDED BY T3209201212-001 OR T3209201222-001 OR T3209201202-001	2-0	HUT.M20.P	M20x1.5	8-13	24	36	8
4	SUPERSEDED BY T3209161212-001 OR T3209161222-001 OR T3209161202-001	1-6	HUT.M16.P	M16x1.5	5-10	20	35.5	8

PART NO.	DESCRIPTION	"A"	Ø"C"	"SW 1&SW 2"	"H"	"L"
		DIMENSIONS (mm)				

THIS DRAWING IS A CONTROLLED DOCUMENT.		DWN JS 27.03.2006						
		CHK TS 27.03.2006						
		APVD TS 27.03.2006						
		PRODUCT SPEC -						
DIMENSIONS: mm 		TOLERANCES UNLESS OTHERWISE SPECIFIED: 0 PLC ± 1 PLC ± 2 PLC ± 3 PLC ± 4 PLC ± ANGLES ±		NAME ASS'Y CABLE GLAND SERIES HUT-P. METRIC -				
MATERIAL -		FINISH -		SIZE A3	CAGE CODE -	DRAWING NO C-1102771	RESTRICTED TO -	
		WEIGHT -		Customer Drawing		SCALE 5:1	SHEET 1 OF 1	REV A5