

1

2

3

4

PRODUCT NUMBER  
XXXXX-YYYHTLF

LEAD FREE OPTION  
SEE NOTE 1,10

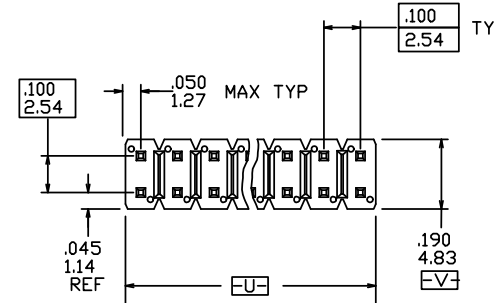
TUBE PACKAGING OPTION  
SEE NOTE 1

HIGH TEMPERATURE PLASTIC  
SEE NOTE 1

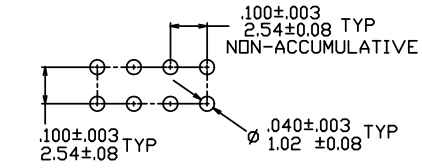
NO OF  
POSITIONS  
SEE NOTE 1

PIN PLATING  
SEE SHEET 2

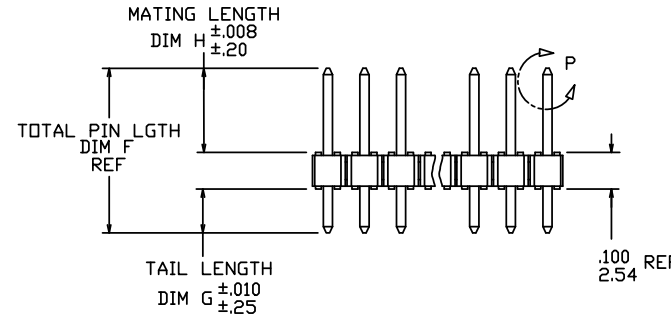
BASE PART NO.



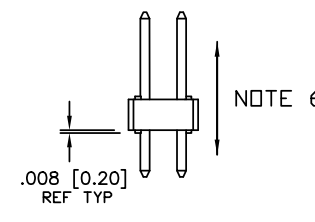
TOP VIEW



RECOMMENDED HOLE PATTERN



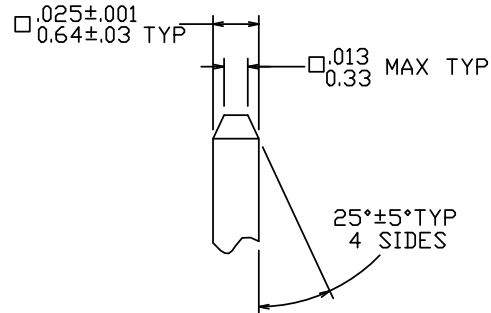
SIDE VIEW



END VIEW

⊕ ∅ .020/.51 (M) U (M) V (S)

NOTE 4



DETAIL P  
TYP BOTH ENDS

| rev | ecn no   | dr  | date       |
|-----|----------|-----|------------|
| AG  | V20801   | MHT | 4/29/02    |
| AH  | M04-0234 | AGS | 12/29/05   |
| AJ  | M05-0072 | MHT | 5/03/05    |
| AK  | M06-0269 | MHT | 7/17/06    |
| AL  | M06-0346 | MHT | 9/04/06    |
| AM  | M08-0291 | MHT | 10/06/08   |
| AN  | N11-0118 | J.Z | 2011-04-12 |

|  |                         |                                       |                                   |                       |
|--|-------------------------|---------------------------------------|-----------------------------------|-----------------------|
| www.fciconnect.com                                 |                         | surface 6.4<br>ISO 1302               | tolerance std<br>ISO 406 ISO 1101 | projection<br>INCH/MM |
| Dr T. BREWBAKER 7/29/94                            |                         | TOLERANCES UNLESS OTHERWISE SPECIFIED |                                   | size A4 Scale 1.000   |
| Eng T.HANNA 7/29/94                                | Chr J. MURPHY 7/29/94   | ANGULAR                               | LINEAR                            | ECN N11-0118          |
| Appr T.HANNA 7/29/94                               | Product family BERGSTIK | 0.X ±.3                               | 0.XX ±.15                         | Spec ref              |
| title BERGSTIK® II HEADER<br>.100/2.54 DR SELF-RET |                         | 0.XXX ±.05                            | dwg no 69192                      | Rev. AN               |
| catalog no   |                         | CUSTOMER                              |                                   | sheet 1 of 4          |



Copyright FCI.

1

2

| PIN PLATING CODES: |   |
|--------------------|---|
| XXXX-1YY           | 30u"/0.76u MIN (SEE NOTE 11) OVER 50u"/1.27u MIN Ni     |
| XXXX-2YY           | 15u"/0.38u MIN (SEE NOTE 11) OVER 50u"/1.27u MIN Ni     |
| XXXX-3YY           | 50u"/1.27u MIN (SEE NOTE 11) OVER 50u"/1.27u MIN Ni     |
| XXXX-4YY           | 100u"/2.54u MIN Sn OVER 50u"/1.27u MIN Ni (SEE NOTE 12) |
| XXXX-4YHLF         |   |
| XXXX-5YY           | 15u"/0.38u MIN (SEE NOTE 11) OVER 50u"/1.27u MIN Ni     |
| XXXX-6YY           | 30u"/0.76u MIN (SEE NOTE 11) OVER 50u"/1.27u MIN Ni     |
| XXXX-7YY           | 30u"/0.76u MIN (SEE NOTE 11) OVER 50u"/1.27u MIN Ni     |
| XXXX-8YY           | 15u"/0.38u MIN (SEE NOTE 11) OVER 50u"/1.27u MIN Ni     |
| XXXX-9YY           | 15u"/0.38u MIN (SEE NOTE 11) OVER 50u"/1.27u MIN Ni     |
| XXXX-0YY           | 30u"/0.76u MIN (SEE NOTE 11) OVER 50u"/1.27u MIN Ni     |

NOTES

1. PART NUMBER OPTIONS:

PIN PLATING CODES (SEE ABOVE)

HIGH TEMP. MATERIAL:

FOR HIGH-TEMPERATURE APPLICATIONS, SPECIFY AN "H" AT THE END OF THE PART NUMBER, AND PCT WILL BE SUPPLIED.

NUMBER OF POSITION:

ANY NUMBER OF POSITIONS FROM 2 (2X1) THRU 72 (2X36).

PACKAGING:

PACKAGED IN POLY BAGS. EIGHT DIGIT PART NUMBERS FOLLOWED BY A "T" ARE PACKAGED IN TUBES. SEE SPECIFIC PART NUMBERS FOR AVAILABILITY.

LEAD FREE:

ADD "HLF" SUFFIX AT THE END OF PART NUMBER FOR LEAD FREE OPTION, NOT AVAILABLE FOR -5YY,-5YYH,-6YY & -6YYH.

2. BODY MATERIAL:

MANUFACTURER'S OPTION OF NYLON OR PCT, GLASS FIBER REINFORCED, FLAME RETARDENT PER UL-94V-0.

COLOR: BLACK. OR

MINERAL FILLED LCP, COLOR BLACK  
FLAME RETARDENT PER UL-94V-0

PART NUMBERS WITH "H" SUFFIX WILL WITHSTAND EXPOSURE TO 260°C PEAK TEMPERATURE FOR 20 SECONDS IN WAVE SOLDER, INFRA-RED OR VAPOR PHASE SOLDER PROCESS.

PART NUMBERS WITHOUT "H" SUFFIX WILL WITHSTAND EXPOSURE TO 260°C PEAK TEMPERATURE FOR WAVE SOLDER PROCESS.

- 3. PIN MATERIAL: PHOS-BRONZE.
- 4. MEASURED WITH PART IN RESTRAINED CONDITION.
- 5. TWO SIDES OF PIN TIPS NOT PLATED. TYPICAL BOTH ENDS.
- 6. 2LBS/0.9KG MIN PIN RETENTION IN EITHER DIRECTION.
- 7. ±.010/0.25 TOL. APPLIES TO ALL "G" TAILS EXCEPT INDICATED PARTS ON TABLE WHERE +.010/0.25,-.000/0.00 APPLIES.
- 8. SECTION R-R DIMENSIONS APPLY TO RETENTION PIN POSITIONS ONLY LOCATED AT MANUFACTURES OPTION.
- 9. 5LB/2.3KG MAX INSERTION FORCE AND .25LB/.1KG MIN RETENTION FORCE PER RETENTIVE PIN USING .062/1.57 THICK CIRCUIT BOARDS AND RECOMMENDED HOLE PATTERN.
- 10. THESE PRODUCTS MEETS EUROPEAN UNION DIRECTIVES AND OTHER COUNTRY REGULATION AS DESCRIBED IN GS-22-008.
- 11. PLATING OPTIONS:  
PERFORMANCE PLATING WILL BE EITHER GOLD OR GXT ON POST OR TAIL, OPTIONALLY (78~295u"/2~7.5u) TIN ON TAIL.
- 12. THIS PRODUCT HAS 100% TIN PLATING IN THE INTERFACE AND HAS NOT BEEN TESTED FOR WHISKER GROWTH IN ALL INTERCONNECT ENVIRONMENTS."



Copyright FCI.

|                    |              |         |                                       |                                   |                       |      |       |
|--------------------|--------------|---------|---------------------------------------|-----------------------------------|-----------------------|------|-------|
| www.fciconnect.com |              |         | surface<br>ISO 1302 ✓                 | tolerance std<br>ISO 406 ISO 1101 | projection<br>INCH/MM |      |       |
|                    |              |         | TOLERANCES UNLESS OTHERWISE SPECIFIED |                                   | ← →                   |      |       |
| Dr                 | T. BREWBAKER | 7/29/94 | ANGULAR                               | LINEAR                            | size<br>A4            |      |       |
| Eng                | T.HANNA      | 7/29/94 |                                       |                                   |                       | 0.X  | ±0.3  |
| Chr                | J. MURPHY    | 7/29/94 |                                       |                                   |                       | 0.XX | ±0.15 |
| Appr               | T.HANNA      | 7/29/94 | 0°                                    | ±2°                               | ECN N11-0118          |      |       |
|                    |              |         | Product family                        |                                   | Spec ref              |      |       |
|                    |              |         | BERGSTIK® II HEADER                   |                                   |                       |      |       |
|                    |              |         | .100/2.54 DR SELF-RET                 |                                   |                       |      |       |
|                    |              |         | catalog no                            |                                   | CUSTOMER              |      |       |
|                    |              |         | title                                 |                                   | sheet 2 of 4          |      |       |
|                    |              |         | 69192                                 |                                   |                       |      |       |
|                    |              |         | Rev.                                  |                                   | AN                    |      |       |

1

2

3

4

A

B

C

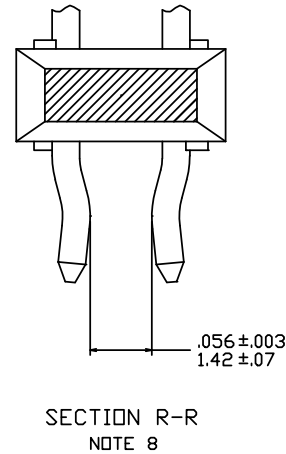
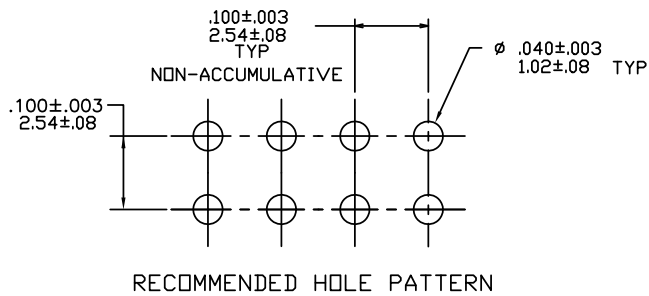
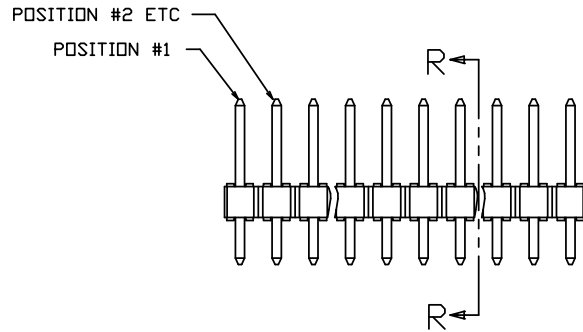
D

A

B

C

D



Copyright FCI.

|                                       |              |         |                                       |                                   |                 |               |              |            |
|---------------------------------------|--------------|---------|---------------------------------------|-----------------------------------|-----------------|---------------|--------------|------------|
| www.fciconnect.com                    |              |         | surface<br>ISO 1302 ✓                 | tolerance std<br>ISO 406 ISO 1101 | projection<br>⊕ | INCH/MM<br>←→ |              |            |
| TOLERANCES UNLESS OTHERWISE SPECIFIED |              |         | TOLERANCES UNLESS OTHERWISE SPECIFIED |                                   | size A4         |               |              |            |
| Dr                                    | T. BREWBAKER | 7/29/94 | ANGULAR                               | LINEAR                            | 0.X             | ±0.3          | Scale 1.000  |            |
| Eng                                   | T.HANNA      | 7/29/94 |                                       |                                   | 0.XX            | ±0.15         | ECN N11-0118 |            |
| Chr                                   | J. MURPHY    | 7/29/94 | 0°                                    | ±2°                               | 0.XXX           | ±0.05         |              |            |
| Appr                                  | T.HANNA      | 7/29/94 | Product family BERGSTIK               |                                   | Spec ref        |               |              |            |
| FCI                                   | title        |         | BERGSTIK® II HEADER                   |                                   | dwg no          | 69192         |              | Rev.<br>AN |
|                                       | catalog no   |         | .100/2.54 DR SELF-RET                 |                                   |                 | CUSTOMER      |              |            |

1

2

1

2

3

4

| PRODUCT NUMBER | TOTAL PIN LENGTH |        | TAIL LENGTH |        | MATING LENGTH |        | PACKAGING       | NOTES | LF<br>OPTION<br>NOTE 1,10 |
|----------------|------------------|--------|-------------|--------|---------------|--------|-----------------|-------|---------------------------|
|                | DIM F            | DIM F  | DIM G       | DIM G  | DIM H         | DIM H  |                 |       |                           |
|                | ENGLISH          | METRIC | ENGLISH     | METRIC | ENGLISH       | METRIC |                 |       |                           |
| 69192-XY       | 0.450            | 11.43  | 0.120       | 3.05   | 0.230         | 5.84   | POLY BAGS/TUBES |       |                           |
| 78252-XY       | UNAVAILABLE      |        | UNAVAILABLE |        |               |        |                 |       |                           |
| 78548-XY       | 0.538            | 13.67  | 0.120       | 3.05   | 0.318         | 8.08   | POLY BAGS       |       |                           |
| 78577-XY       | 0.650            | 16.51  | 0.120       | 3.05   | 0.430         | 10.92  | POLY BAGS       |       |                           |
| 79214-XY       | 0.620            | 15.75  | 0.120       | 3.05   | 0.400         | 10.16  | POLY BAGS       |       |                           |
| 79979-XY       | 0.450            | 11.43  | 0.120       | 3.05   | 0.230         | 5.84   | POLY BAGS/TUBES | 7     |                           |
| 86380-XY       | 0.470            | 11.94  | 0.120       | 3.05   | 0.250         | 6.35   | POLY BAGS       |       |                           |
| 86584-XY       | 0.760            | 19.30  | 0.120       | 3.05   | 0.540         | 13.72  | POLY BAGS       |       |                           |
| 87444-XY       | 1.090            | 27.69  | 0.125       | 3.18   | 0.865         | 21.97  | POLY BAGS       |       |                           |
| 87456-XY       | 0.840            | 21.34  | 0.120       | 3.05   | 0.620         | 15.75  | POLY BAGS       |       |                           |
| 87457-XY       | 0.990            | 25.15  | 0.120       | 3.05   | 0.770         | 19.56  | POLY BAGS       |       |                           |
| 87837-XY       | 0.585            | 14.86  | 0.120       | 3.05   | 0.365         | 9.27   | POLY BAGS       |       |                           |
| 87920-XY       | 0.830            | 21.08  | 0.120       | 3.05   | 0.610         | 15.49  | POLY BAGS       |       |                           |
| 88526-XY       | 1.340            | 34.04  | 0.120       | 3.05   | 1.120         | 28.45  | POLY BAGS       |       |                           |
| 88714-XY       | 0.640            | 16.26  | 0.120       | 3.05   | 0.420         | 10.67  | POLY BAGS       |       |                           |
| 89580-XY       | 0.930            | 23.62  | 0.120       | 3.05   | 0.710         | 18.03  | POLY BAGS       |       |                           |
| 90824-XY       | 0.420            | 10.67  | 0.120       | 3.05   | 0.200         | 5.08   | POLY BAGS       |       |                           |
| 94654-XYH      | 0.415            | 10.54  | 0.085       | 2.16   | 0.230         | 5.84   | POLY BAGS       |       |                           |
| 95066-XYH      | 1.240            | 31.50  | 0.120       | 3.05   | 1.020         | 25.91  | POLY BAGS       |       |                           |
| 95654-XYH      | 0.880            | 22.35  | 0.120       | 3.05   | 0.660         | 16.76  | POLY BAGS       |       |                           |
| 98845-XYH      | 0.572            | 14.54  | 0.120       | 3.00   | 0.354         | 9.00   | POLY BAGS/TUBES |       |                           |
| 10002463-XYH   | 0.503            | 12.78  | 0.085       | 2.16   | 0.318         | 8.08   | POLY BAGS       | ---   | NOTE 1,10                 |



Copyright FCI.

D

|                    |              |          |  |                                     |                                   |                |             |             |
|--------------------|--------------|----------|--|-------------------------------------|-----------------------------------|----------------|-------------|-------------|
| www.fciconnect.com |              |          | surface<br>ISO 1302                          | <input checked="" type="checkbox"/> | tolerance std<br>ISO 406 ISO 1101 | projection<br> | INCH/MM<br> |             |
|                    |              |          | TOLERANCES UNLESS OTHERWISE SPECIFIED        |                                     |                                   |                |             |             |
| Dr                 | T. BREWBAKER | 7/29/94  | ANGULAR                                      | LINEAR                              | 0.X                               | ±0.3           | size A4     | Scale 1.000 |
| Eng                | T.HANNA      | 7/29/94  |  |                                     | 0.XX                              | ±0.15          | ECN         | N11-0118    |
| Chr                | J. MURPHY    | 7/29/94  |  |                                     | 0.XXX                             | ±0.05          | Spec ref    |             |
| Appr               | T.HANNA      | 7/29/94  | Product family                               |                                     | BERGSTIK                          |                |             |             |
|                    | title        |          | BERGSTIK® II HEADER<br>.100/2.54 DR SELF-RET |                                     |                                   | dwg no         | 69192       | Rev.<br>AN  |
| catalog no         |              | CUSTOMER |  |                                     |                                   | sheet 4 of 4   |             |             |

REV F - 2006-04-17

1

2

PDM: Rev:AN

STATUS Released 4 Printed: Apr 20, 2011