

5

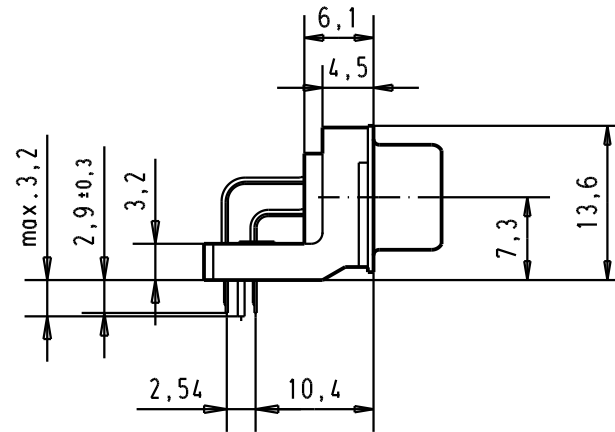
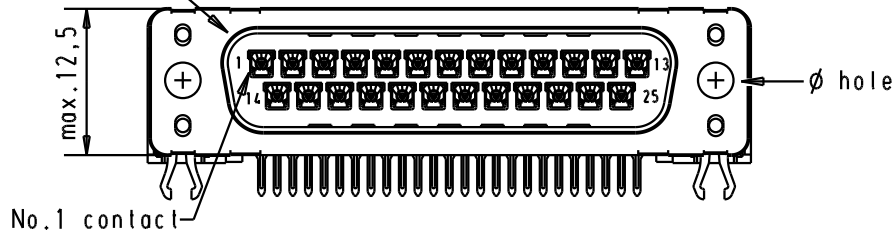
4

3

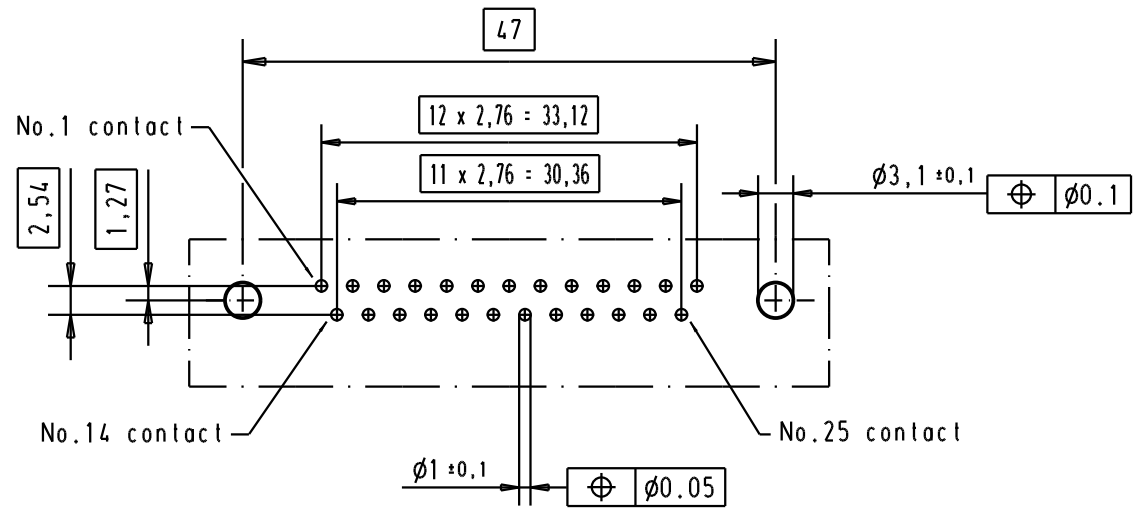
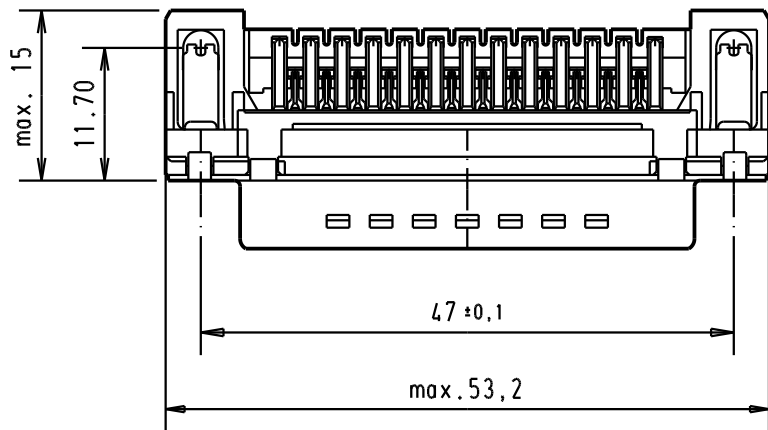
2

1

Mating face according to : MIL-C-24308 / DIN 41652 / CECC 75301-802





PCB layout hole component side



Connector retention and insertion forces on the PCB = 25 / 80 newtons

A

						Det.	Name	 All Dim. in mm Orig. Size DIN A 4	D-Sub, male, standard angle, 25 poles, with solder pin, hole and grounding board lock.	Maßstab/ Scale 1.5:1	
						Detail.	15/dec/00				ALSPACE
						Insp.					
09 65 362 3810	3.1 ± 0.1	1	31084	22/04/04	JH	Stand.					
09 65 362 6810	3.1 ± 0.1	2	29689	03/07/01	AA						
09 65 362 7810	3.1 ± 0.1	3	27960	15/dec/00	ALSPACE						
Part number	Ø hole	Performance level	Mod.	Dat.	Name	HARTING EURL F-95972 Paris			TB 0965362x81x	Blatt/ Page 4	
											Sub.