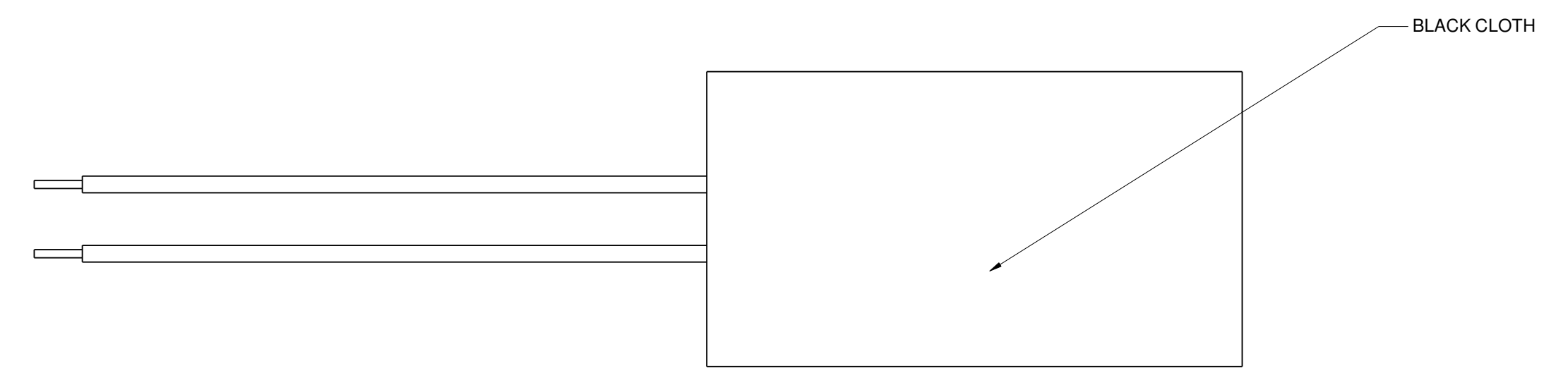
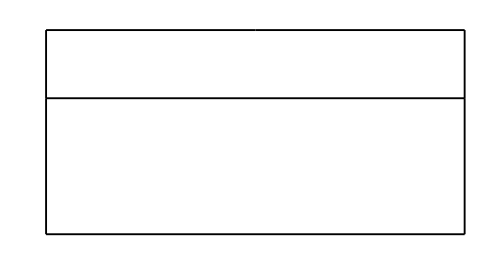
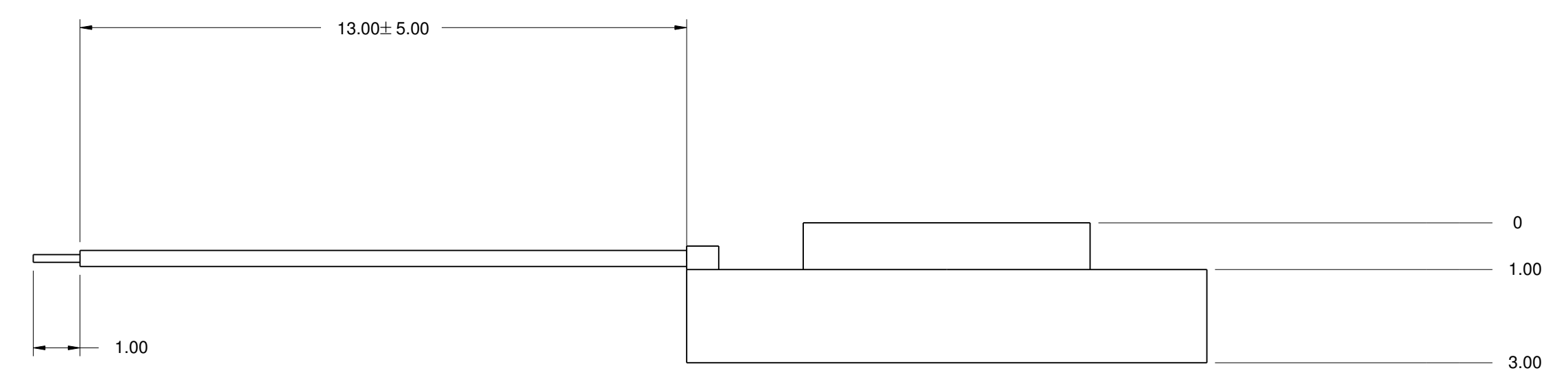
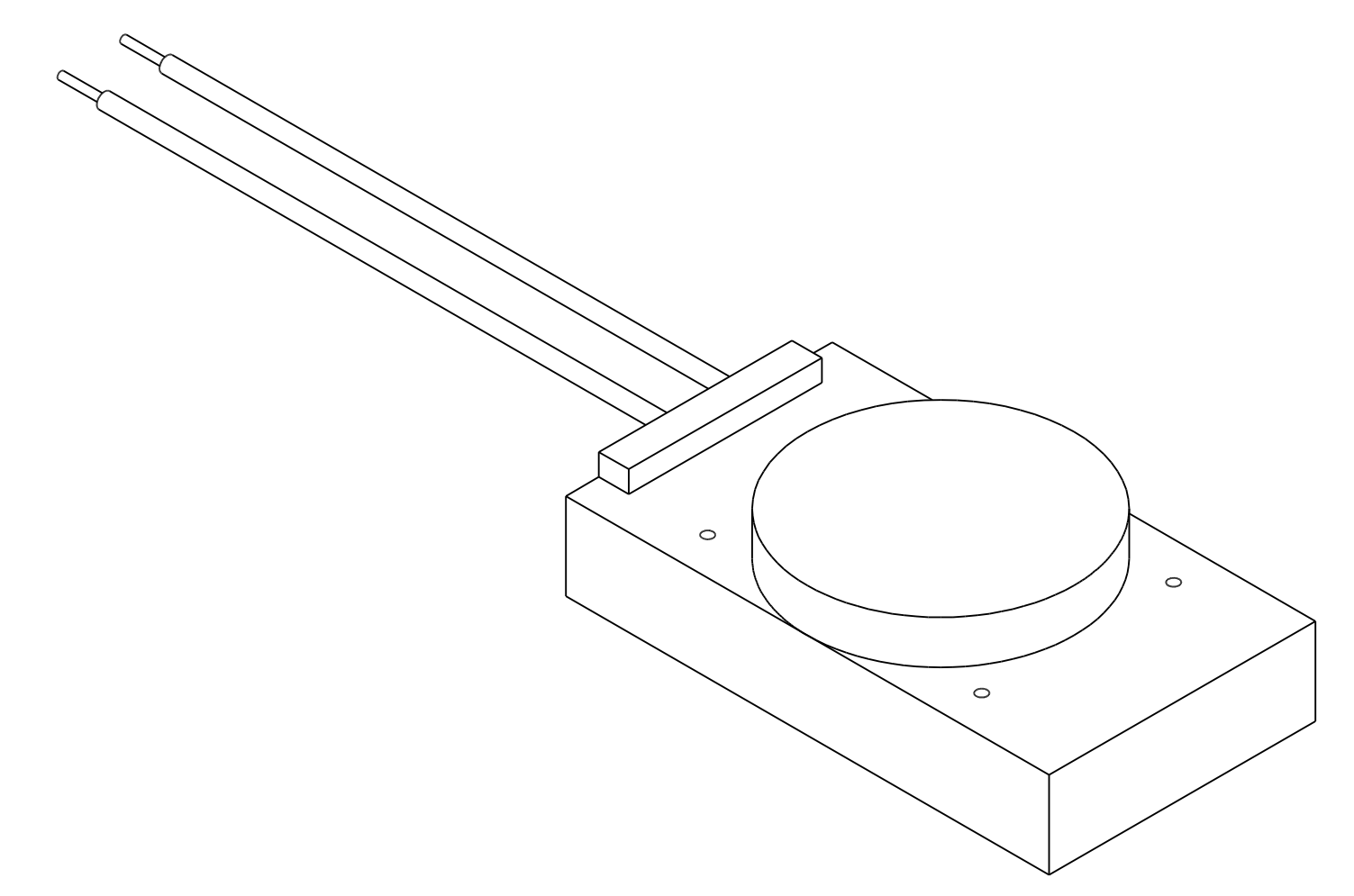
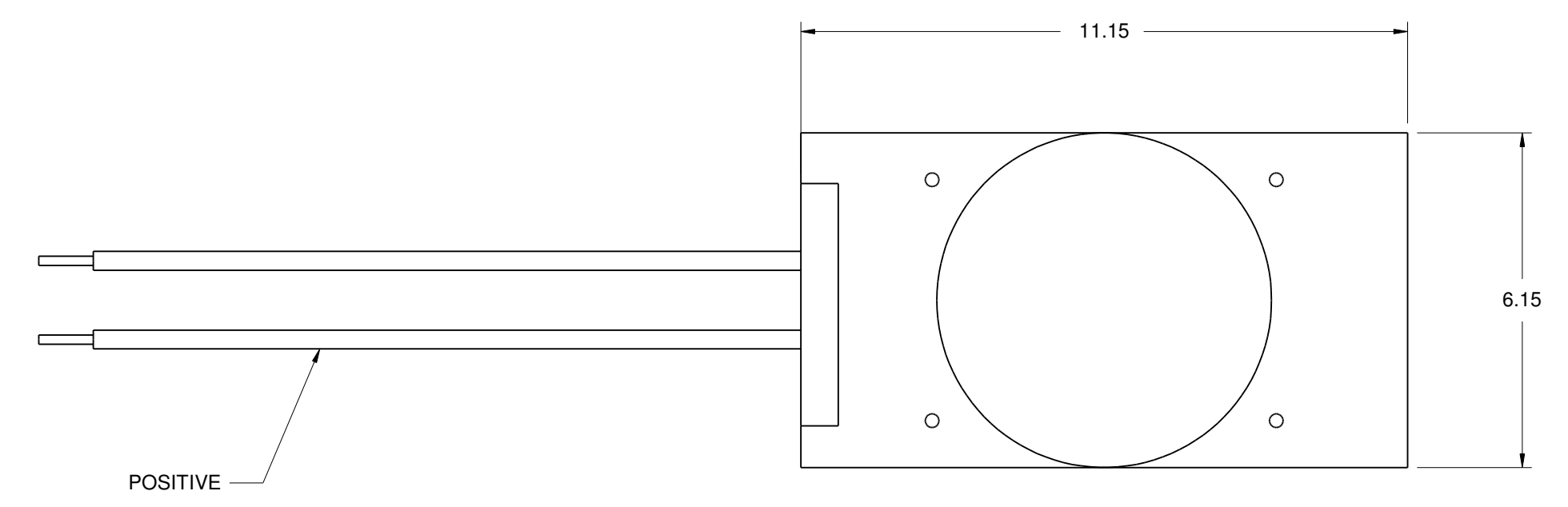


REVISIONS				
ZONE	REV	DESCRIPTION	DATE	APPROVED



ALL TOLERANCES +/- .5MM UNLESS NOTED

SIZE	FSCM NO.	DWG NO.	REV
D		RC-1106L	
SCALE	1:1	SHEET	1 OF 1