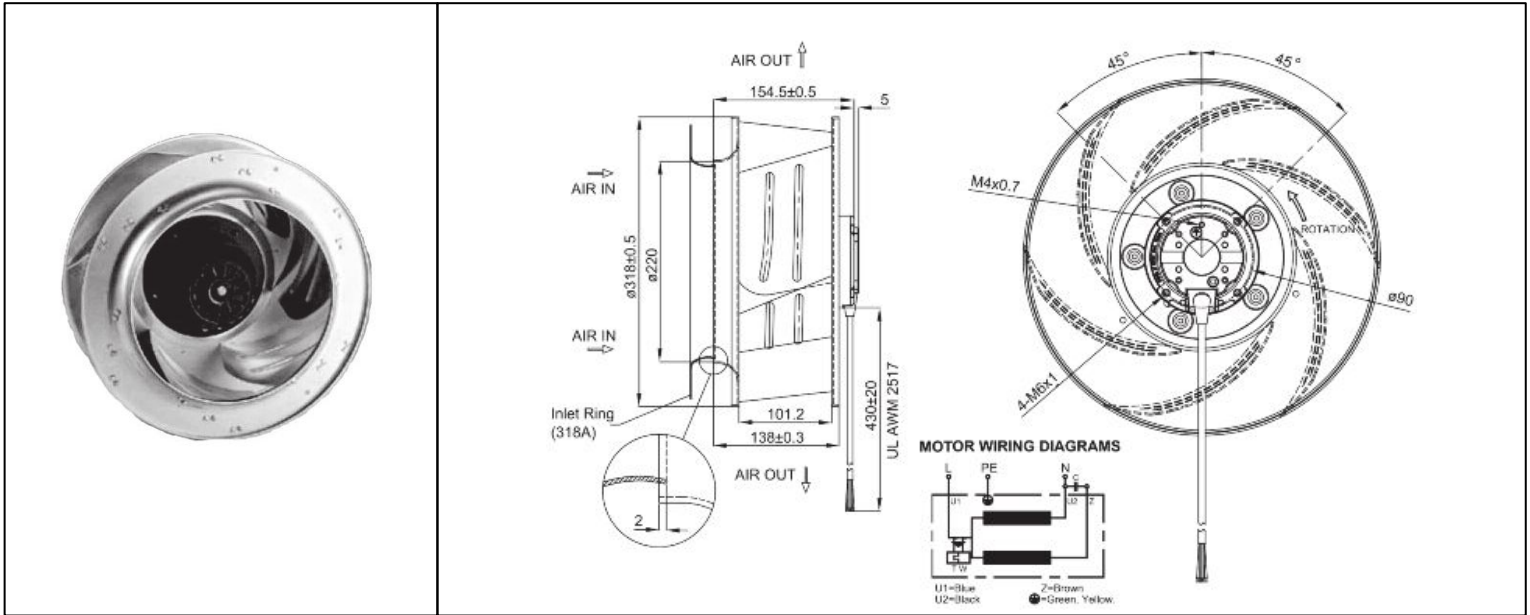


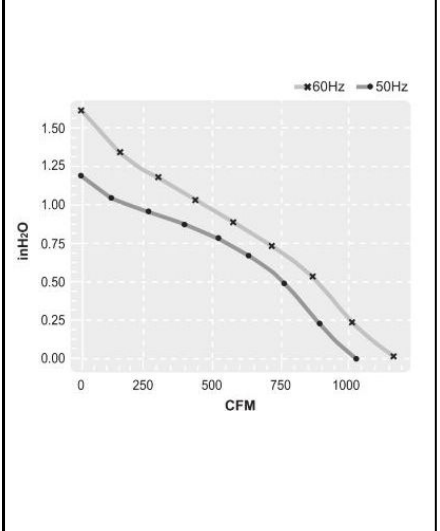
OAB318 Series



AC Centrifugal Blowers - 115, 230V
318mm x 154.5mm (12.5" x 6.1")



Frame	Die Cast Aluminum, Natural Finish	Operating Temperature -40°C ~ +50°C
Impeller	Metal Alloy	Storage Temperature -40°C ~ +80°C
Connection	4x Wire Leads, 22 AWG UL 2517	Life Expectancy 40,000 Hours (L10 at 40°C)
Motor	AC Induction Motor with included Capacitor, Thermally Protected, Class B Insulation	Recommended Accessories Metal Duct Ring (DR318A)
Bearing System	Ball Bearings	Included Capacitor 115V: 16uF/250V 230V: 4.0uF/450V
Dielectric Strength	1500VAC/Min, <1mA	Weight: 8.6 lbs.
Insulation Resistance	≥100MΩ @ 500VAC/min	



Part Number	Rated Voltage (Volts AC)	Voltage Range (Volts AC)	Frequency (Hertz)	Rated Current (Amps)	Locked Current (Amps)	Input Power (Watts)	Rated Speed (RPM)	Max Airflow (CFM)	Noise Level (dBA)	Max Static Pressure ("H ₂ O)
OAB318-11-1	115	108 ~ 125	50 / 60	1.00 / 1.23	2.50 / 2.30	115 / 155	1350 / 1575	1015 / 1165	63 / 66	1.2 / 1.6
OAB318-22-1	230	210 ~ 240	50 / 60	0.58 / 0.66	1.34 / 1.27	115 / 155	1350 / 1575	1015 / 1165	63 / 66	1.2 / 1.6

