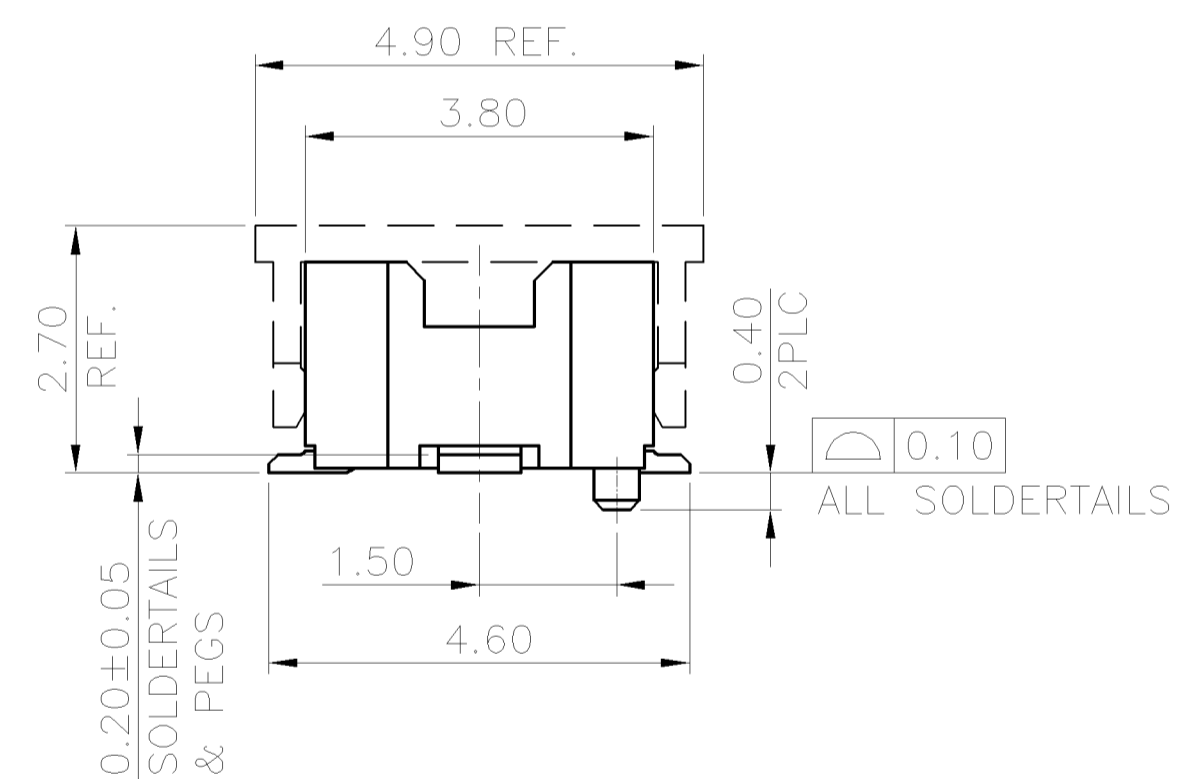
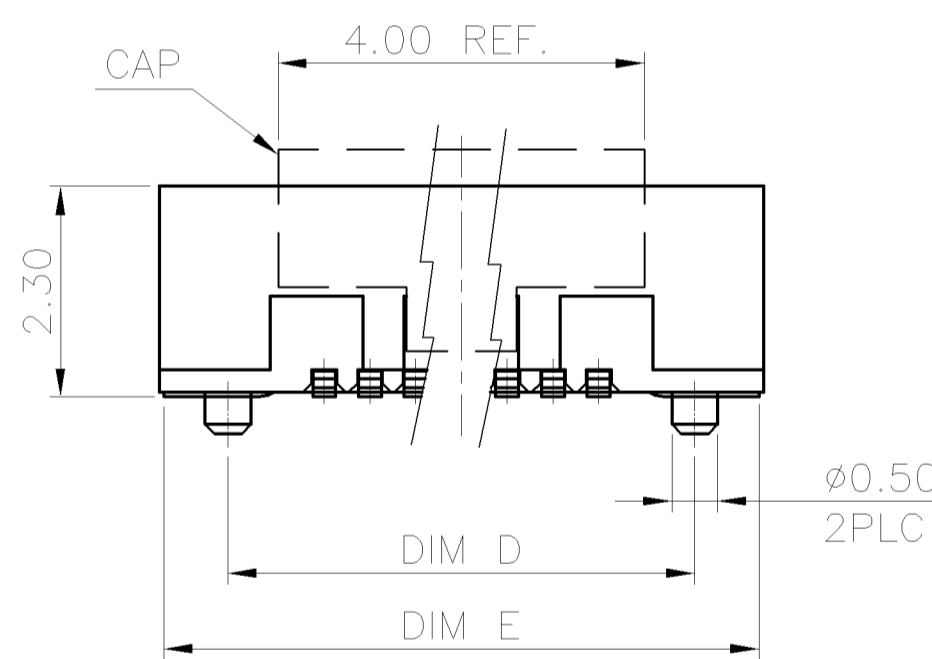
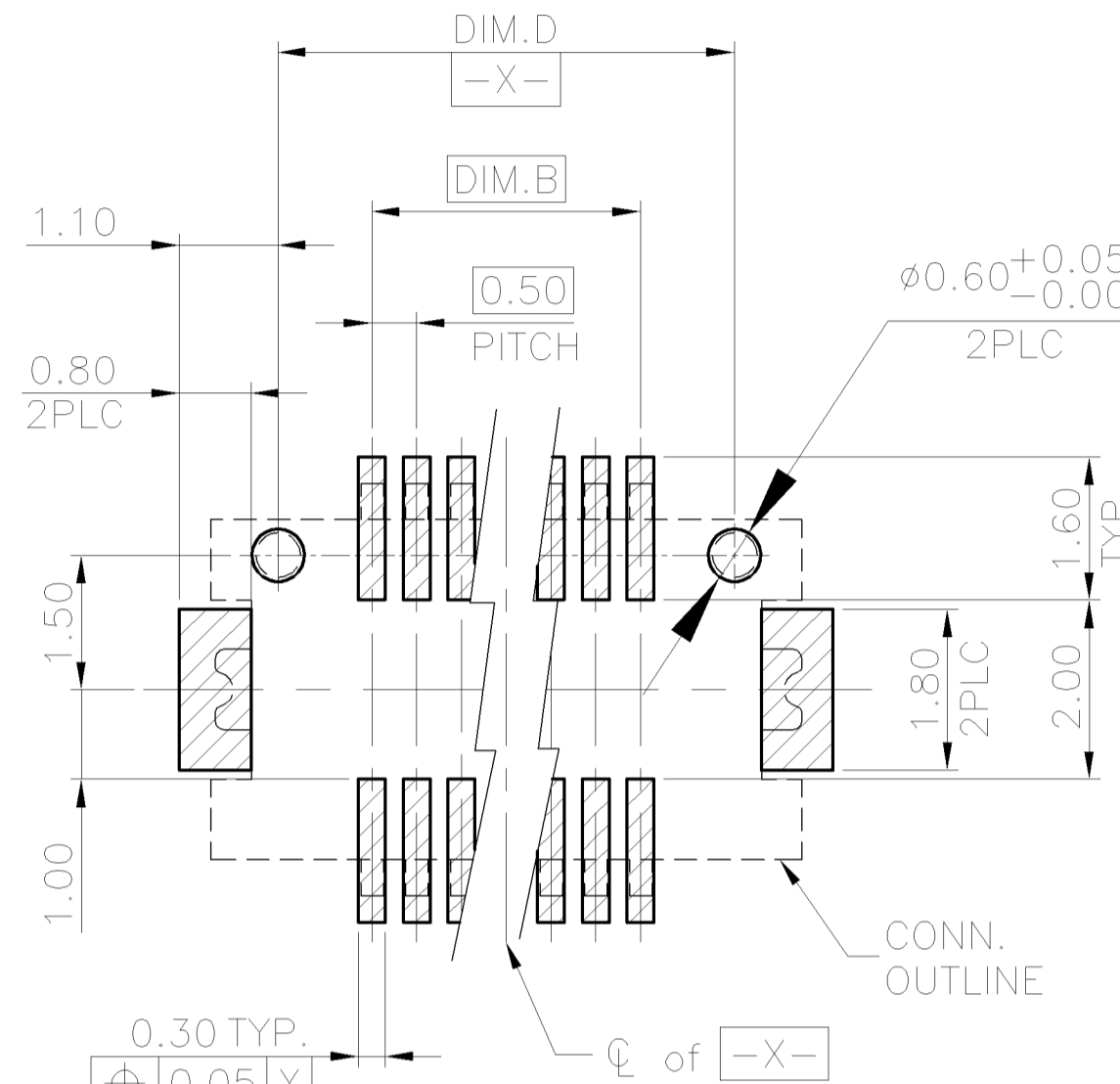
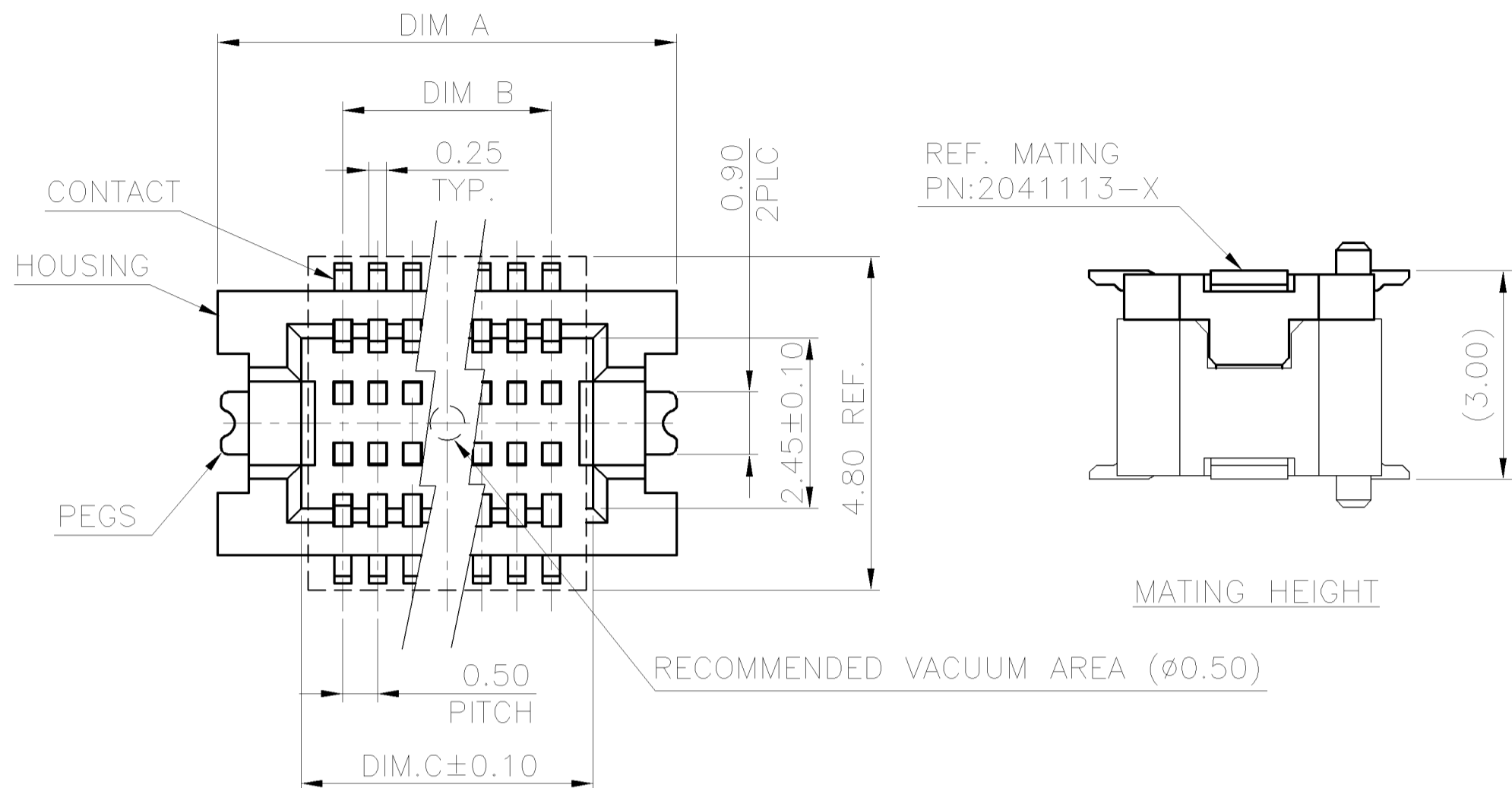


LOC DW	DIST	REVISIONS		
P	LTR	DESCRIPTION	DATE	DWN APVD
	B2	REVISED. (ECR-10-025679)	15DEC10	JC WK



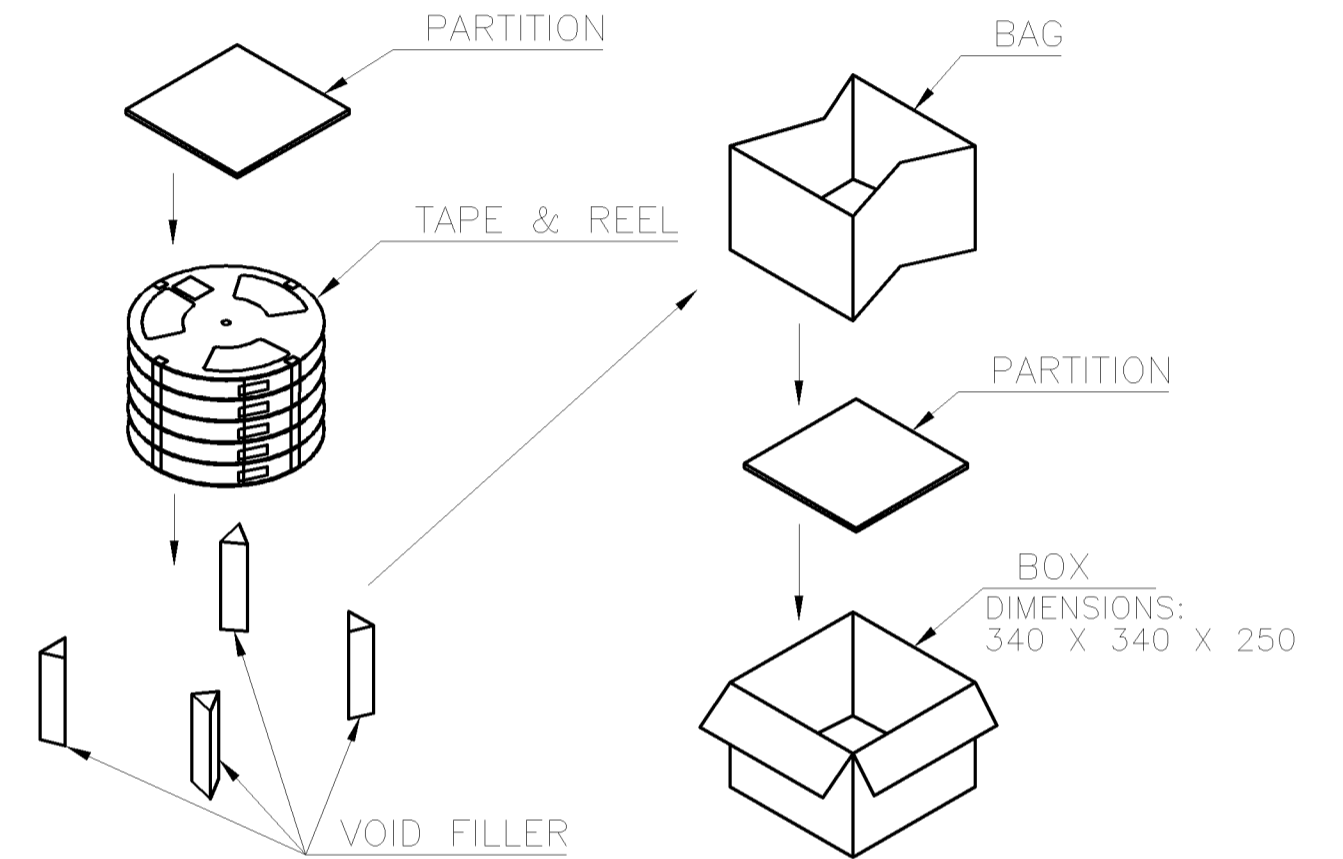
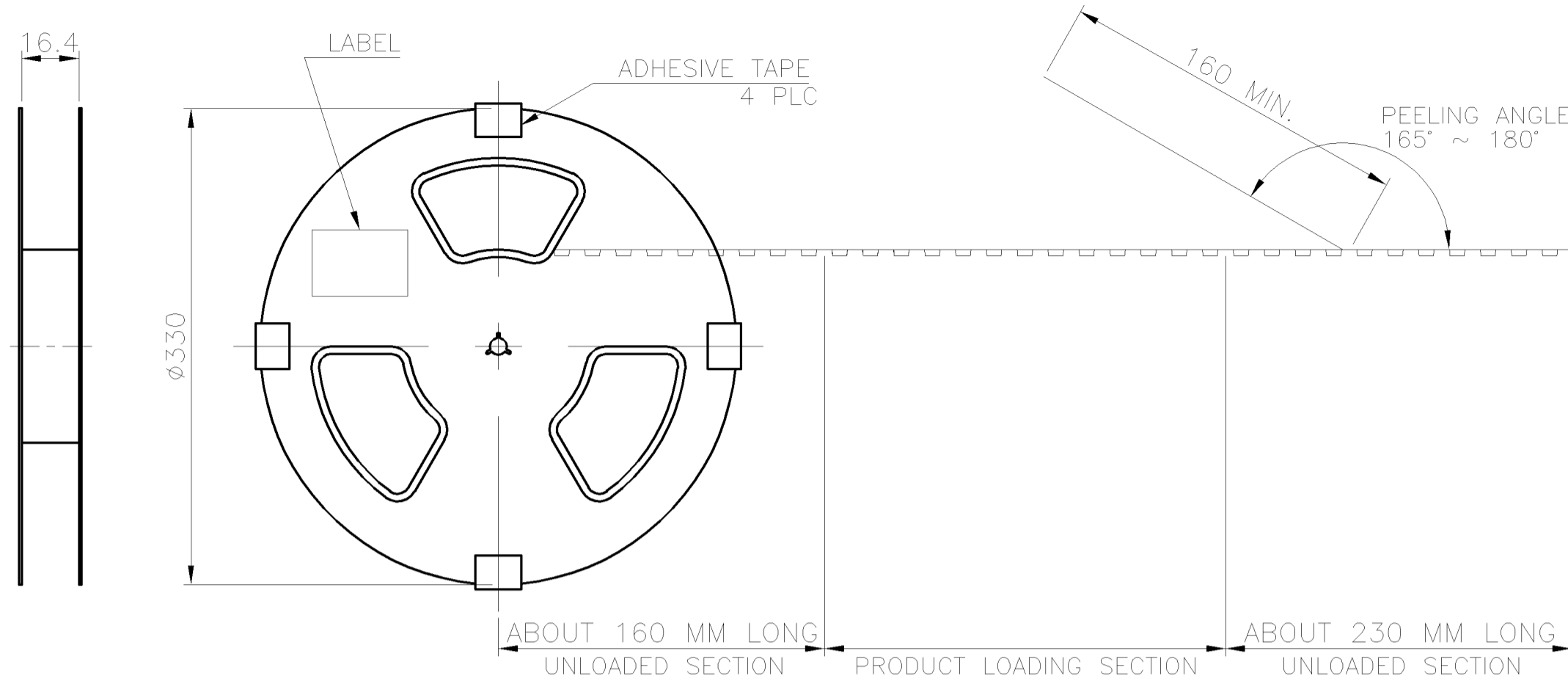
RECOMMENDED PCB LAYOUT (TOP VIEW) TOLERANCE: ±0.05

- NOTE:
- MATERIAL:
HOUSING: LCP WITH 30% GF, UL94V-0, BLACK COLOR.
CAP: LCP WITH 30% GF, UL94V-0, BLACK COLOR.
CONTACTS: PHOSPHOR BRONZE.
PEGS: BRASS.
 - FINISH:
CONTACTS: GOLD FLASH PLATED OVERALL, WITH ENTIRE CONTACT UNDERPLATED 1.27µm [50µ"] MIN. NICKEL.
PEGS: 2.54µm [100µ"] MIN. MATTE-TIN OVER 1.27µm [50µ"] MIN. NICKEL ON ENTIRE CONTACT.
 - REFLOW SOLDER CAPABLE TO 260°C PER TE TEST SPEC. 109-201, CONDITION B.
 - NO TE LOGO AND DATE CODE ON THE PRODUCT.

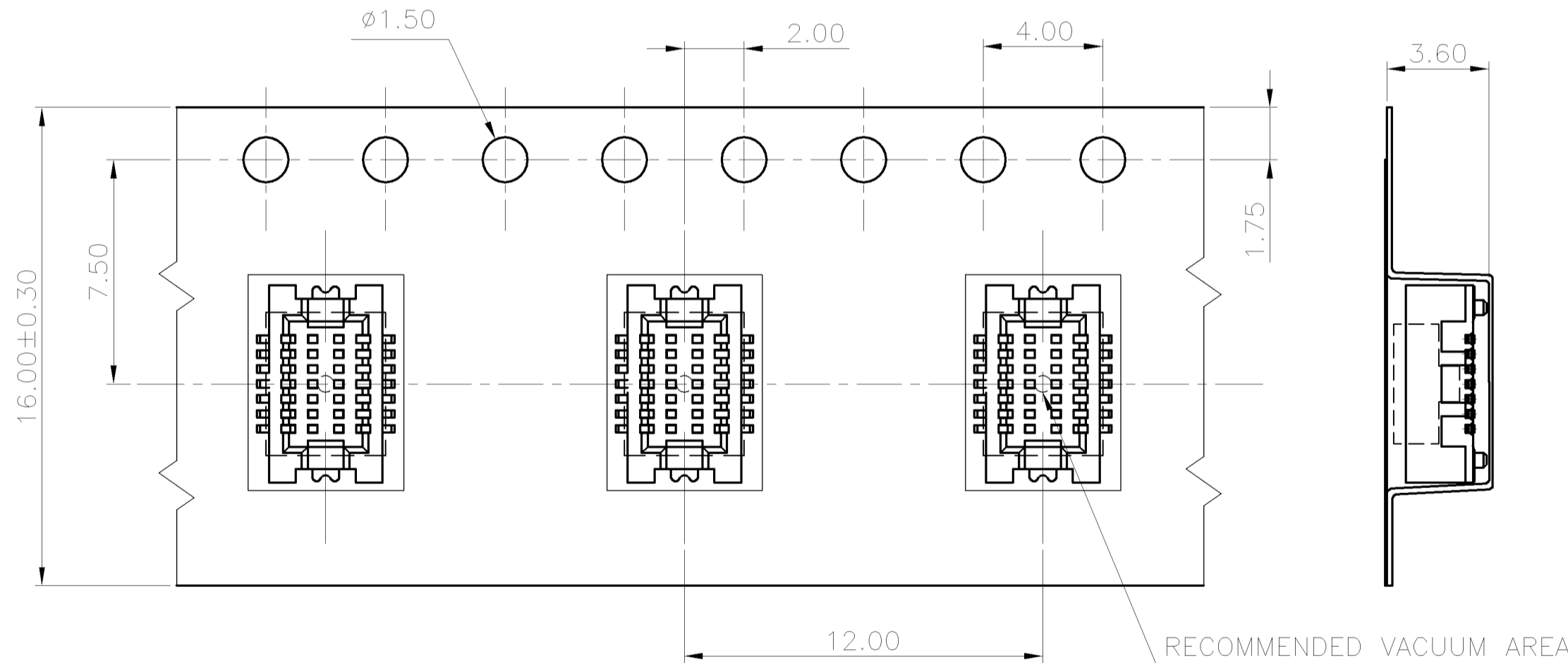
W/O	0.092g	6.50	5.10	4.20	3.00	6.60	14	3-2041112-4	
W/O	0.072g	5.50	4.10	3.20	2.00	5.60	10	3-2041112-0	
W/	0.120g	6.50	5.10	4.20	3.00	6.60	14	1-2041112-4	
W/	0.098g	5.50	4.10	3.20	2.00	5.60	10	1-2041112-0	
CAP	WEIGHT	DIMENSIONS					NO. OF CONTACTS	PART NUMBER	

THIS DRAWING IS A CONTROLLED DOCUMENT.		DWN F. YANG 06MAY2009	Tyco Electronics Corporation Taipei, Taiwan													
DIMENSIONS: MM		CHK S. CHIEN 06MAY2009														
TOLERANCES UNLESS OTHERWISE SPECIFIED:		APVD W. KODAMA 06MAY2009	NAME													
<table border="1"> <tr><td>0 PLC</td><td>± -</td></tr> <tr><td>1 PLC</td><td>± 0.3</td></tr> <tr><td>2 PLC</td><td>± 0.2</td></tr> <tr><td>3 PLC</td><td>± -</td></tr> <tr><td>4 PLC</td><td>± -</td></tr> <tr><td>ANGLES</td><td>± 3°</td></tr> </table>		0 PLC	± -	1 PLC	± 0.3	2 PLC	± 0.2	3 PLC	± -	4 PLC	± -	ANGLES	± 3°	PRODUCT SPEC 108-57756		BTB CONNECTOR, PLUG, P=0.5 mm, DUAL ROW, SMT TYPE
0 PLC	± -															
1 PLC	± 0.3															
2 PLC	± 0.2															
3 PLC	± -															
4 PLC	± -															
ANGLES	± 3°															
MATERIAL SEE NOTE		QUALIFICATION TEST REPORT 501-57968														
FINISH SEE NOTE		WEIGHT SEE TABLE	SIZE A3	CAGE CODE 00779												
		DRAWING NO C=2041112		RESTRICTED TO												
CUSTOMER DRAWING		SCALE -	SHEET 1 OF 2	REV B2												

P	LTR	DESCRIPTION	DATE	DWN	APVD
		SEE SHEET 1			



NOTE:
 1. PEELING RESISTANCE: 10gf~130gf.
 2. PEELING SPEED: 300 mm/MINUTE.



PCS/REEL	REELS/BOX	QUANTITY (PCS)	G/W (Kg)	N/W (Kg)	PART NUMBER
1000	10	10000	7.19	0.93	3-2041112-4
			6.68	0.71	3-2041112-0
			8.20	1.20	1-2041112-4
			7.69	0.98	1-2041112-0

THIS DRAWING IS A CONTROLLED DOCUMENT.		DWN		Tyco Electronics Corporation Taipei, Taiwan	
DIMENSIONS: MM		CHK			
TOLERANCES UNLESS OTHERWISE SPECIFIED: 0 PLC ± - 1 PLC ± - 2 PLC ± - 3 PLC ± - 4 PLC ± - ANGLES ± -		APVD		NAME	
MATERIAL		FINISH		BTB CONNECTOR, PLUG, P=0.5 mm, DUAL ROW, SMT TYPE	
-		-		SIZE: A3 CAGE CODE: 00779 DRAWING NO: C=2041112 RESTRICTED TO: -	
CUSTOMER DRAWING				SCALE: - SHEET: 2 OF 2 REV: B2	