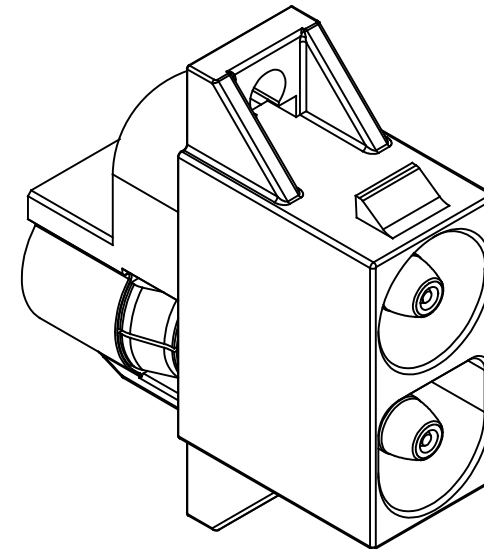
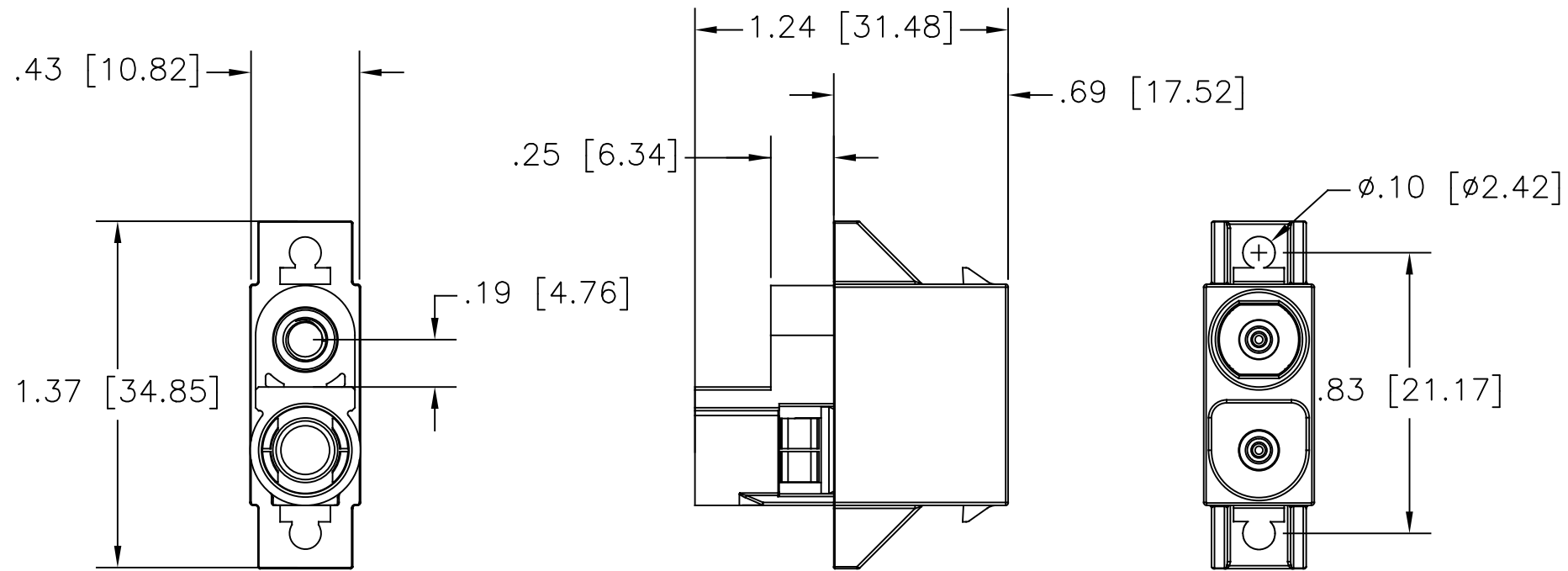
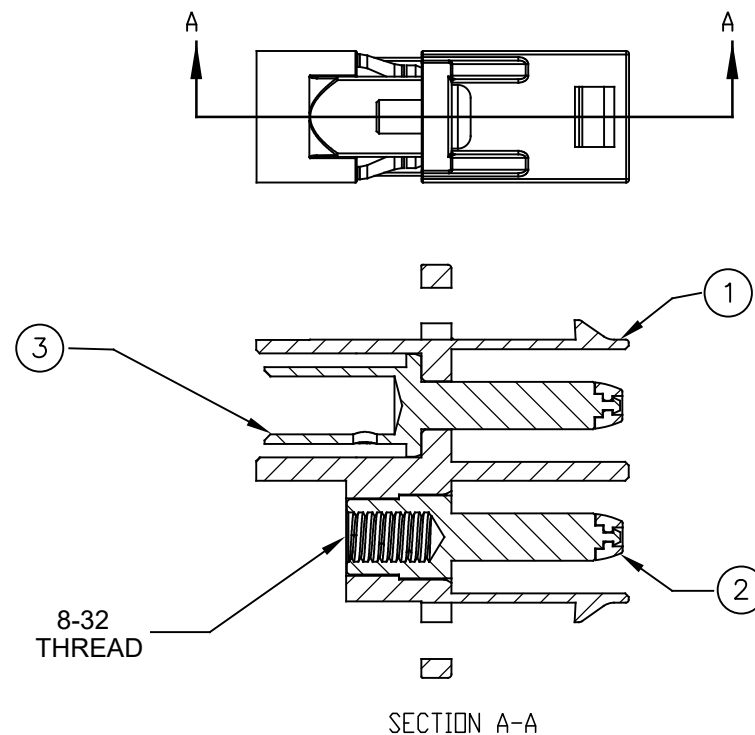


| REVISIONS | | | | | |
|-----------|-----|-----------------|---------|----|------|
| REV | ECD | DESCRIPTION | DATE | BY | APPR |
| A1 | - | INITIAL RELEASE | 4JAN 20 | TZ | - |



NOTES:

- CONTACT BARREL RANGE: 8AWG TO 10AWG
- RECOMMENDED CRIMP TOOLS:
HAND CRIMPER: DANIELS M300BT
- MATERIALS:
HOUSING BODY: GF PA 6/6
CONTACT: COPPER ALLOY / SILVER PLATED
- ELECTRICAL DATA:
a) CURRENT (MAX): 70A
b) VOLTAGE (MAX): 250V DC
- TECHNICAL DATA:
a) TEMPERATURE RANGE: -40°C TO 125°C
b) MATING CYCLES: >500
- RoHS COMPLIANT
- UL 94 V-0 FLAME RATING



COMPONENTS CAN BE PURCHASED SERARATELY

| QUANTITY | PART NUMBER | DESCRIPTION | ITEM |
|----------|-------------|-----------------------|------|
| 1 | SC000531-8 | 4MM PIN, 8AWG CRIMPED | 3 |
| 1 | SC000530 | 4MM PIN, THREADED | 2 |
| 1 | PL-000727 | PANEL SIDE, PLASTIC | 1 |

MATERIALS LIST

| UNLESS OTHERWISE SPECIFIED | | SIGNATURES | DATE | <h1>Amphenol</h1> <p>Sine Systems - www.amphenol-sine.com 44724 Morley Drive Clinton Township, MI 48036</p> | |
|--|--|--|-----------|---|--------------|
| 1) All dimensions are in metric(mm). 2) Tolerances are as follows: 1 PL DEC \pm 0.30 2 PL DEC \pm 0.15 3 PL DEC \pm 0.08 Fractions \pm 1/64 Angles \pm 1° 3) Note reference = \triangle X | | DRAWN: TZ | 1JAN20 | | |
| MATERIAL SPECIFICATIONS: | | CHECKED: | ENGINEER: | SIZE: B | TYPE: C- |
| PROCESS SPECIFICATIONS: | | APPROVAL: | CUSTOMER: | DWG NO: PRM0400-G3-PNL | REVISION: A1 |
| NEXT ASSY: | | THIS DRAWING IS SUPPLIED FOR INFORMATION ONLY. DESIGN FEATURES, SPECIFICATIONS AND PERFORMANCE DATA SHOWN HEREON ARE THE PROPERTY OF THE AMPHENOL CORPORATION. NO RIGHTS OF REPRODUCTION ARE IMPLIED. ALL DIMENSIONS ARE SUBJECT TO NORMAL MANUFACTURING VARIATIONS. | | SCALE: NONE | SHEET 1 OF 1 |



TITLE: KIT, 2 POSN, MALE RECPT, PINPRM SERIES?

DWG NO:

REV: A1

SH: 1

DF: 1