

1744428-9 ✓ ACTIVE



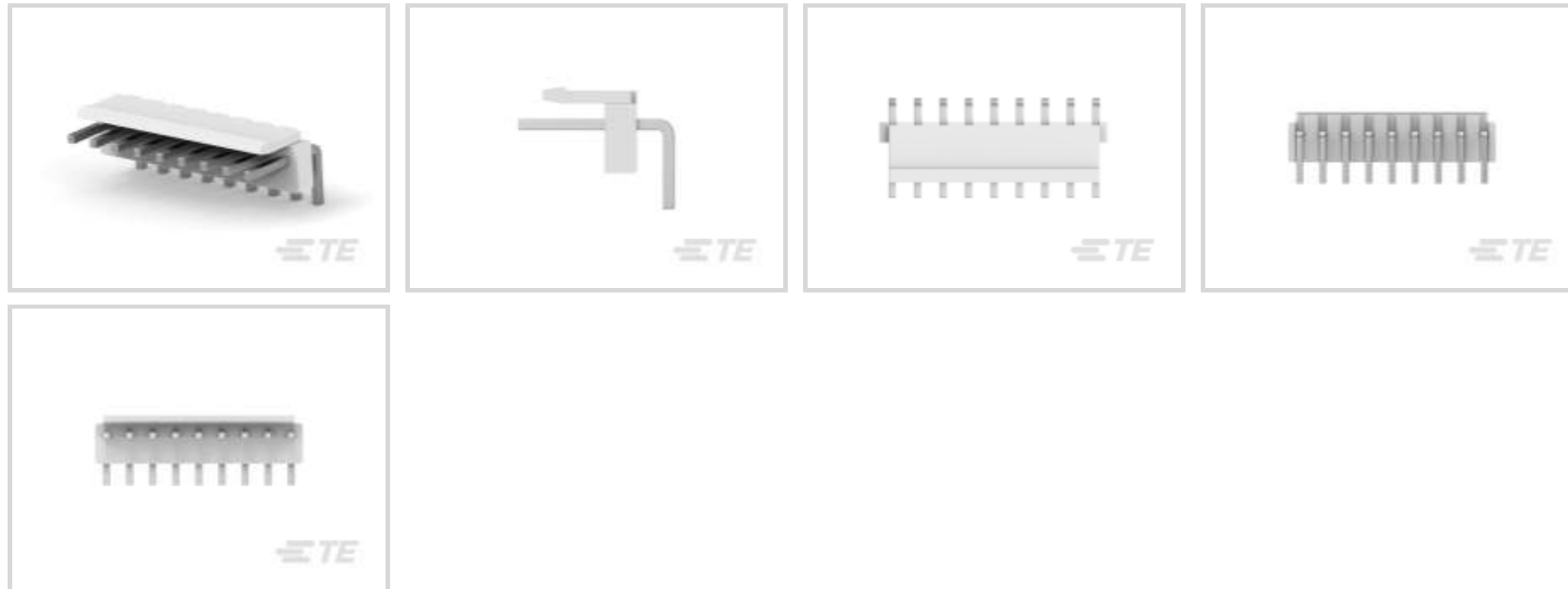
Economy Power

TE Internal #: 1744428-9

Rectangular Power Connectors, Header, Plug, Wire-to-Board, 9 Position, 3.96 mm [.155 in] Centerline, Printed Circuit Board, UL 94V-0, Economy Power

[View on TE.com >](#)

Connectors > Power Connectors > Rectangular Power > Rectangular Power Connectors



Rectangular Power Connector Type: **Header**

Connector & Housing Type: **Plug**

Connector System: **Wire-to-Board**

Number of Positions: **9**

Centerline (Pitch): **3.96 mm [.155 in]**

### Features

#### Product Type Features

Header Type	Partially Shrouded
Rectangular Power Connector Type	Header
Connector & Housing Type	Plug
Connector System	Wire-to-Board
Sealable	No
Connector & Contact Terminates To	Printed Circuit Board

#### Configuration Features

Number of Columns	9
Number of Loaded Positions	9
Number of Positions	9
PCB Mount Orientation	Right Angle
Number of Power Positions	9
Number of Rows	1

#### Electrical Characteristics



Operating Voltage	250 VDC
-------------------	---------

#### Contact Features

Contact Mating Area Plating Material	Tin
Contact Base Material	Brass
Contact Current Rating (Max)	8 A
Contact Retention Within Housing	Without
Contact Type	Pin
PCB Contact Termination Area Plating Material	Tin
Contact Mating Area Plating Material Thickness	2.032 $\mu$ m[80 $\mu$ in]

#### Termination Features

Termination Method to Printed Circuit Board	Through Hole - Solder
---	-----------------------

#### Mechanical Attachment

Mating Alignment Type	Polarization
Mating Alignment	With
Connector Mounting Type	Board Mount

#### Housing Features

Centerline (Pitch)	3.96 mm[.155 in]
Housing Color	Natural
Housing Material	Nylon

#### Dimensions

Connector Height	8.21 mm[.323 in]
Product Width	9.4 mm[.37 in]
Product Length	35.64 mm[1.4 in]

#### Usage Conditions

Operating Temperature Range	-25 – 105 °C[-13 – 221 °F]
-----------------------------	----------------------------

#### Operation/Application

Shielded	No
Circuit Application	Power

#### Industry Standards

UL Rating	Recognized
Agency/Standard	UL
UL Flammability Rating	UL 94V-0



Glow Wire Rating

Glow Wire

**Packaging Features**

Packaging Quantity

500

Packaging Method

Bag

**Product Compliance**

[For compliance documentation, visit the product page on TE.com>](#)

EU RoHS Directive 2011/65/EU

Compliant

EU ELV Directive 2000/53/EC

Compliant

China RoHS 2 Directive MIIT Order No 32, 2016

No Restricted Materials Above Threshold

EU REACH Regulation (EC) No. 1907/2006

Current ECHA Candidate List: JUNE 2023 (235)  
Candidate List Declared Against: JUNE 2023 (235)  
Does not contain REACH SVHC

Halogen Content

Not Low Halogen - contains Br or Cl > 900 ppm.

Solder Process Capability

Wave solder capable to 265°C

Product Compliance Disclaimer

This information is provided based on reasonable inquiry of our suppliers and represents our current actual knowledge based on the information they provided. This information is subject to change. The part numbers that TE has identified as EU RoHS compliant have a maximum concentration of 0.1% by weight in homogenous materials for lead, hexavalent chromium, mercury, PBB, PBDE, DBP, BBP, DEHP, DIBP, and 0.01% for cadmium, or qualify for an exemption to these limits as defined in the Annexes of Directive 2011/65/EU (RoHS2). Finished electrical and electronic equipment products will be CE marked as required by Directive 2011/65/EU. Components may not be CE marked. Additionally, the part numbers that TE has identified as EU ELV compliant have a maximum concentration of 0.1% by weight in homogenous materials for lead, hexavalent chromium, and mercury, and 0.01% for cadmium, or qualify for an exemption to these limits as defined in the Annexes of Directive 2000/53/EC (ELV). Regarding the REACH Regulation, the information TE provides on SVHC in articles for this part number is based on the latest European Chemicals Agency (ECHA) 'Guidance on requirements for substances in articles' posted at this URL: <https://echa.europa.eu/guidance-documents/guidance-on-reach>

**Compatible Parts**



TE Part # 2132781-9  
09P EP-II HOUSING, NATURAL



TE Part # 1744416-9  
9 POS EP II HSG, GLOW WIRE



TE Part # 1744036-9  
09P ECONOMY POWER .200 CL HSG



TE Part # 1744109-4  
3.96 EP Hdr Assy, 9P, Omitted #8, Blue



TE Part # 1744525-5  
EP RA 05P HEADER ASY NO 3 PIN

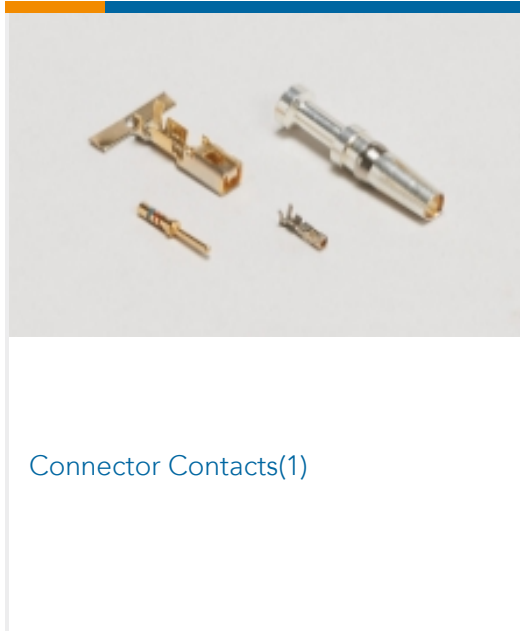


TE Part # 1744544-9  
EP II TPA 09P, BLACK

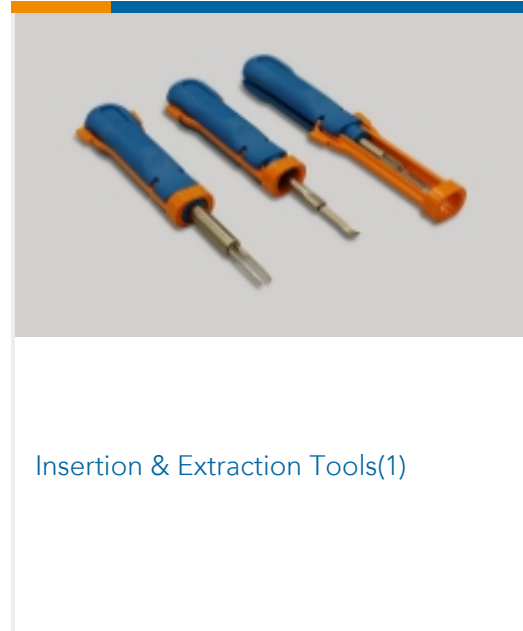


TE Part # 3-1744525-9  
3.96 EP HDR ASSY 9P R/A, NO 6,8 PINS

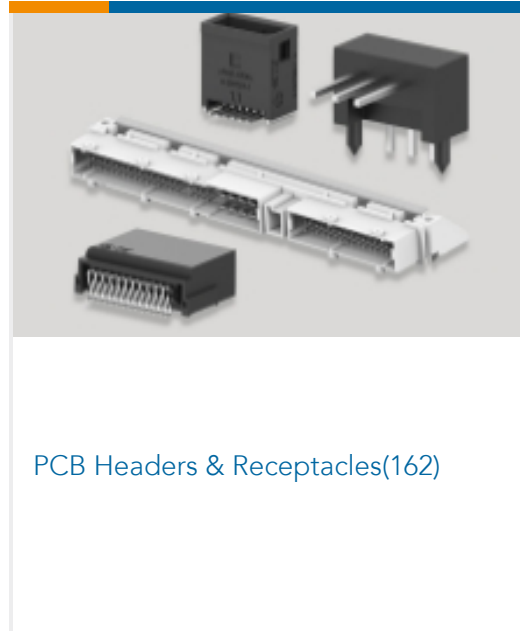
Also in the Series | Economy Power



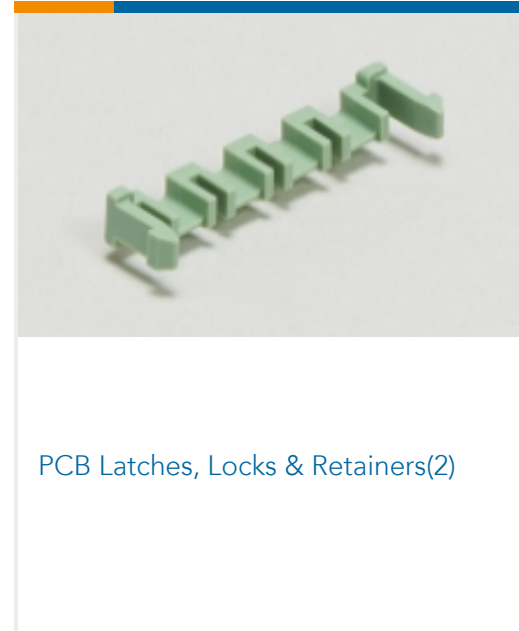
Connector Contacts(1)



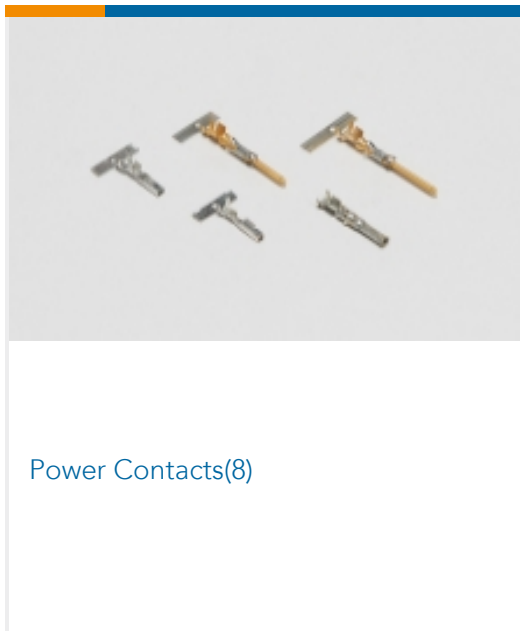
Insertion & Extraction Tools(1)



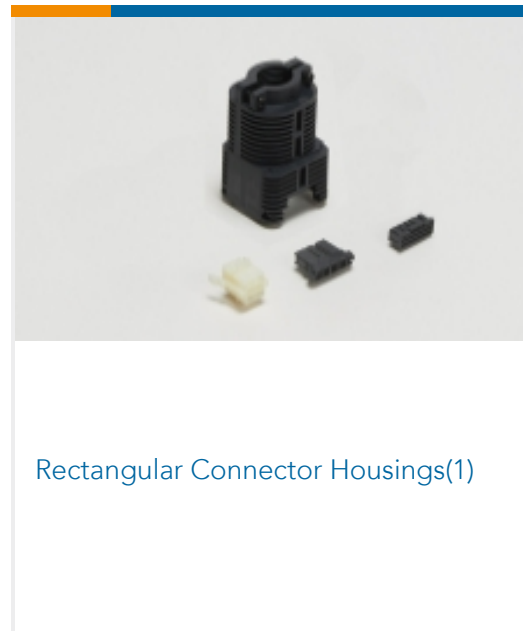
PCB Headers & Receptacles(162)



PCB Latches, Locks & Retainers(2)



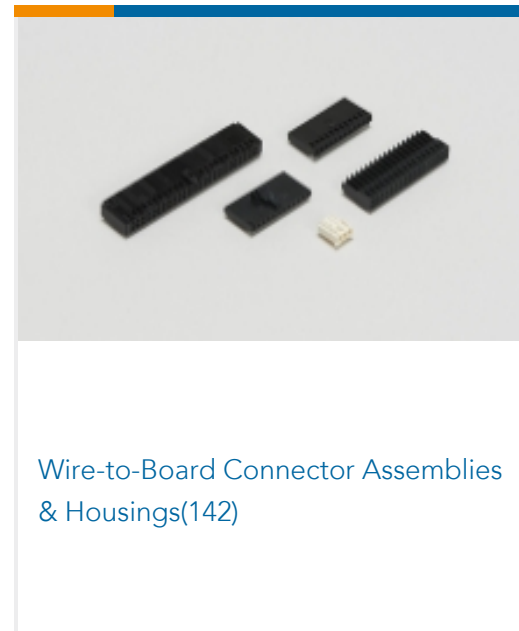
Power Contacts(8)



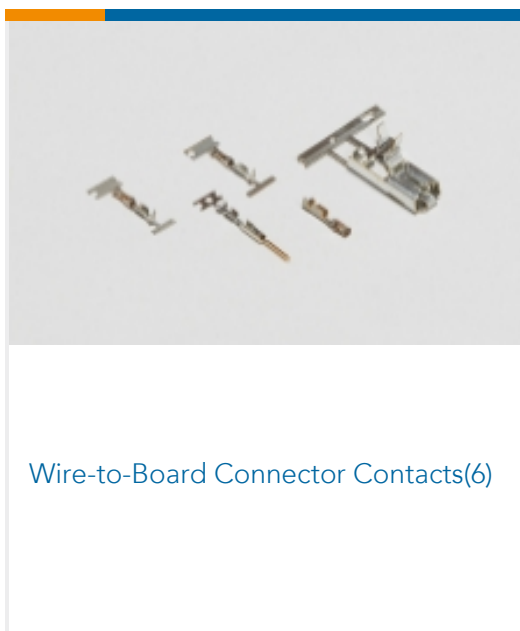
Rectangular Connector Housings(1)



Rectangular Power Connectors(302)



Wire-to-Board Connector Assemblies & Housings(142)



Wire-to-Board Connector Contacts(6)

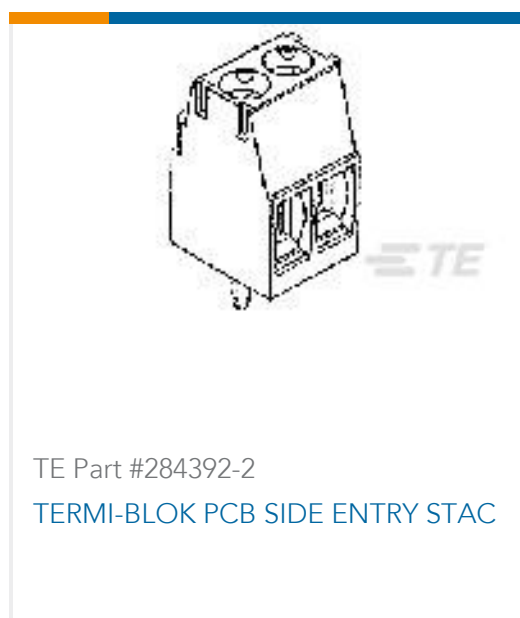
Customers Also Bought



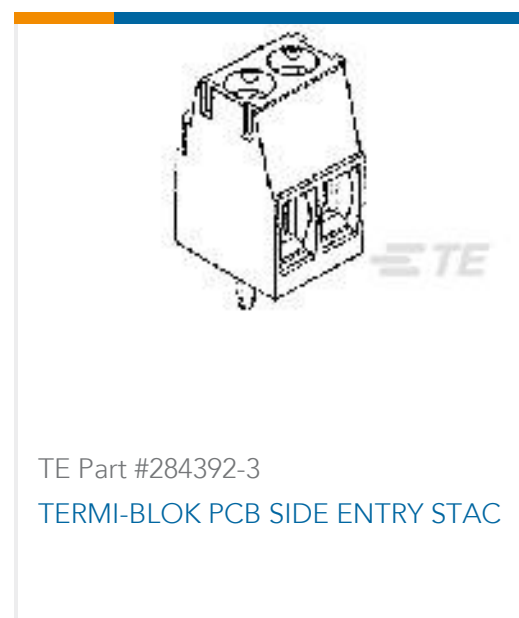
TE Part #5787362-9  
100 50SR R/A RCP ASSY,RDSN L/F



TE Part #5788800-2  
25 HTMSFL ASSY RA 318 (IN,BL)



TE Part #284392-2  
TERMI-BLOK PCB SIDE ENTRY STAC



TE Part #284392-3  
TERMI-BLOK PCB SIDE ENTRY STAC



## Documents

### Product Drawings

#### 3.96 EP HDR ASSY 9P R/A, GW

English

### CAD Files

#### 3D PDF

3D

#### Customer View Model

[ENG\\_CVM\\_CVM\\_1744428-9\\_E.2d\\_dxf.zip](#)

English

#### Customer View Model

[ENG\\_CVM\\_CVM\\_1744428-9\\_E.3d\\_igs.zip](#)

English

#### Customer View Model

[ENG\\_CVM\\_CVM\\_1744428-9\\_E.3d\\_stp.zip](#)

English

By downloading the CAD file I accept and agree to the [Terms and Conditions](#) of use.

### Datasheets & Catalog Pages

#### Economy Power II (EP II) Glow Wire test compliant connectors

English

#### 1-1773885-9 Economy Power Connectors

English

### Product Specifications

#### Application Specification

Japanese



### Application Specification

English

---

### Agency Approvals

UL Report

English