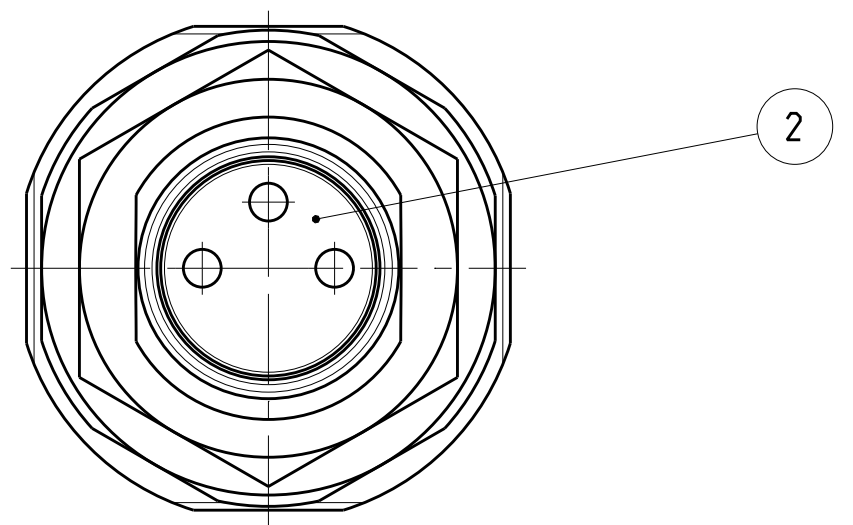
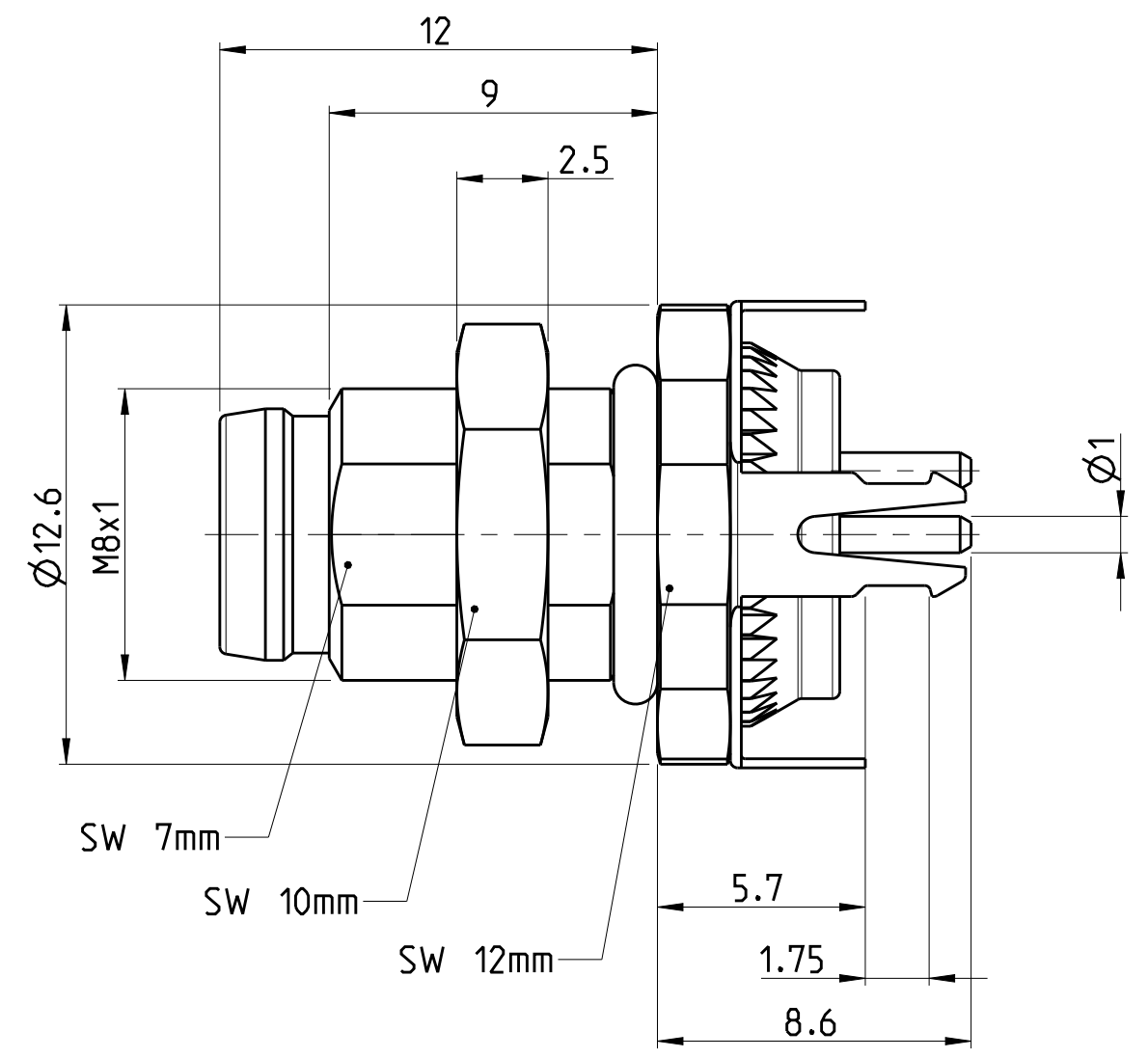


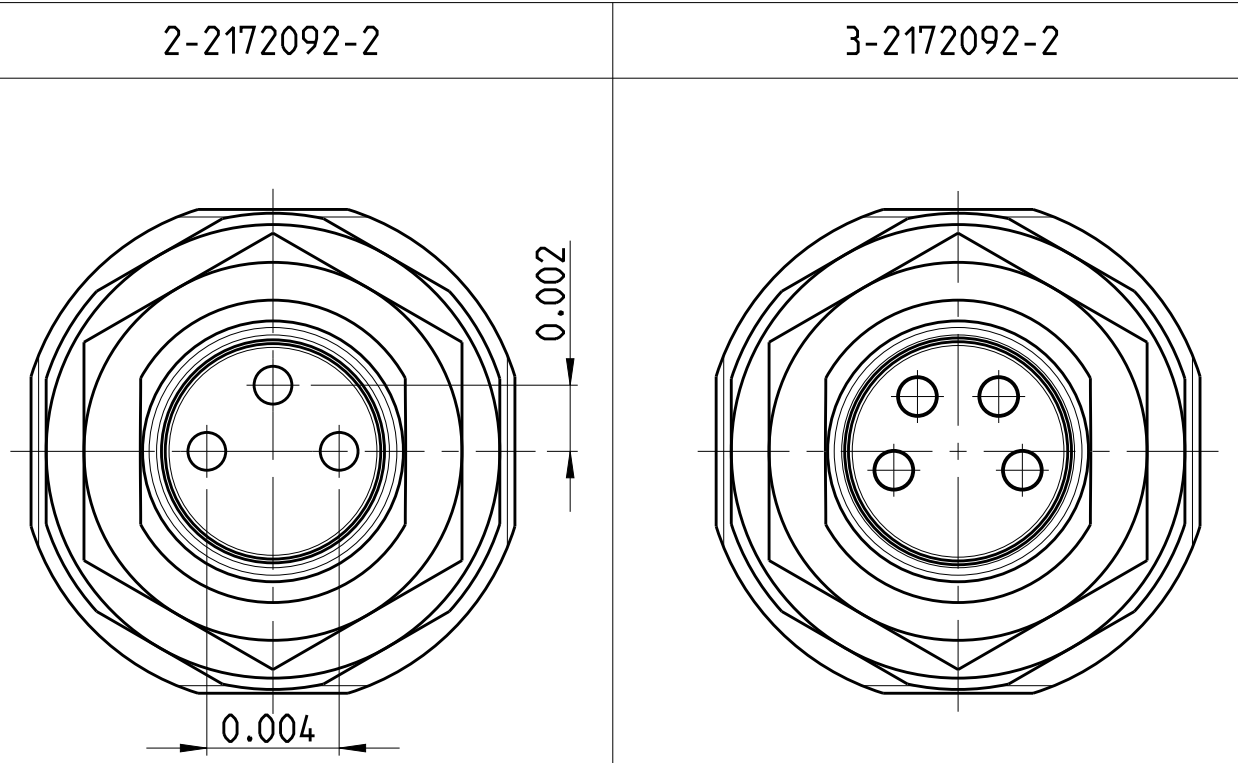
| P | LTR | REVISIONS<br>ÄNDERUNGEN<br>DESCRIPTION<br>BESCHREIBUNG | DATE      | DWN | APVD |
|---|-----|--|-----------|-----|------|
|   | A   | NEW RELEASE  | 04DEC2014 | TJ  | PS   |

| TECHNICAL DATA        | 2-2172092-2 | 3-2172092-2 |
|-----------------------|-------------|-------------|
| RATED VOLTAGE         | 60V         | 30V         |
| RATED IMPULSE VOLTAGE | 800V        | 800V        |
| POLLUTION DEGREE      | 3           | 3           |
| OVERVOLTAGE CATEGORY  | II          | II          |
| MATERIAL GROUP        | II          | II          |
| RATED CURRENT         | 4A          | 4A          |
| VOLUME RESISTIVITY    | ≤ 3mΩ       | ≤ 3mΩ       |
| DEGREE OF PROTECTION  | IP67        | IP67        |
| UPPER TEMPERATURE     | +85 °C      | +85 °C      |
| LOWER TEMPERATURE     | -40 °C      | +40 °C      |

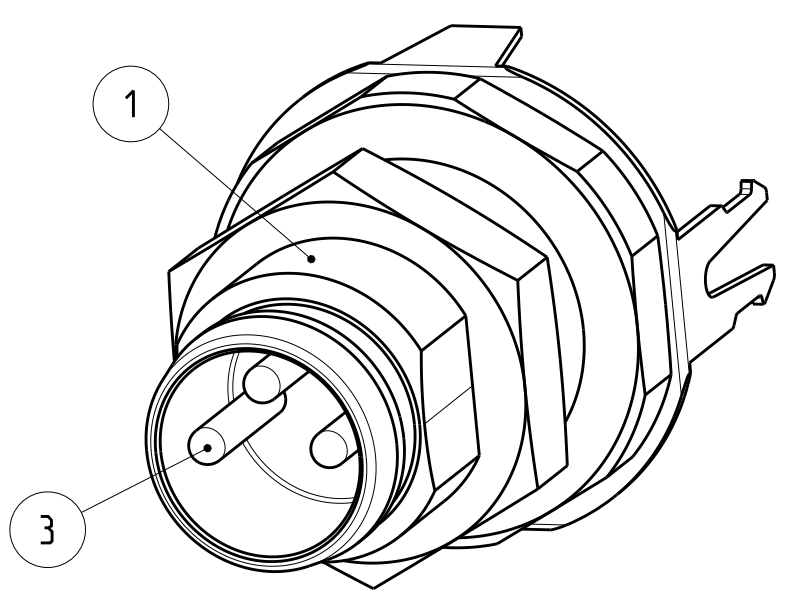
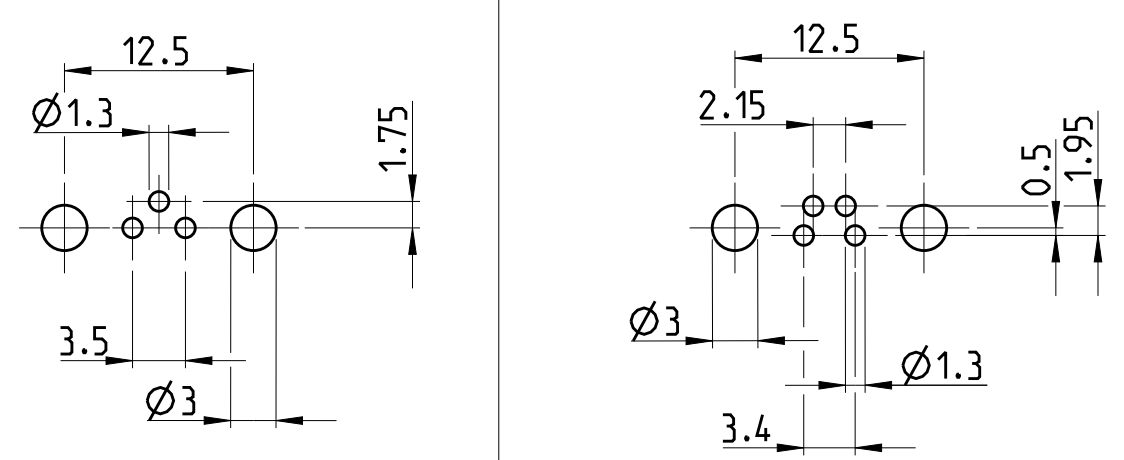
NOTES:  
 1 MATERIAL: ITEM NO. 1: HOUSING - ZINC DIECASTING NICKEL PLATED.  
 ITEM NO. 2: CONTACT BODY - PA (UL 94 HB)  
 ITEM NO. 3: CONTACT - CuSn (BRONZE)  
 CONTACT FINISH - Au (GOLD)  
 2 ALL DIMENSIONS ARE FOR NOMINAL REFERENCE ONLY UNLESS OTHERWISE STATED



PIN ARRANGEMENT



CONDUCTOR LAYOUT



SIZE ISO 14405 (E)

DIESE ZEICHNUNG IST EIN KONTROLLIERTES DOKUMENT. BEMASSUNGEN UND TOLERANZEN GEMAESS GPS (ISO STANDARDS).

THIS DRAWING IS A CONTROLLED DOCUMENT. DIMENSIONING AND TOLERANCING PER GPS (ISO STANDARDS).

|                                 |  |  |
|---------------------------------|--|--|
| DIMENSIONS: MASSEINHEITEN: (MM) | TOLERANCES UNLESS OTHERWISE SPECIFIED: ALLGEMEINTOLERANZEN | DWN YASHKUMAR 14 AUG 2014  |
|                                 |  | CHK M. BRUBAKER 14 AUG 2014  |
|                                 |  | APVD M. BRUBAKER 14 AUG 2014   |
|                                 |  | NAME M8 RECEPTACLE, MALE, PCB MOUNT, STRAIGHT, SHIELDED, METAL STANDOFF PANEL REAR |
|                                 |  | PRODUCT SPEC 108-19483   |
|                                 |  | APPLICATION SPEC 114-32127   |
| MATERIAL                        | SEE NOTES  | WEIGHT -   |
|                                 |  | Customer Drawing   |

|          |                 |             |
|----------|-----------------|-------------|
| ⚠        | 4               | 3-2172092-2 |
| ⚠        | 3               | 2-2172092-2 |
| MATERIAL | NUMBER OF POLES | TE-PART-NO. |



|                    |                 |                                      |                         |
|--------------------|-----------------|--------------------------------------|-------------------------|
| SIZE A2            | CAGE CODE 00779 | DRAWING NO. ZEICHNUNGS-NR. C-2172092 | RESTRICTED TO NUR FÜR - |
| SCALE MASSSTAB 5:1 | SHEET BLATT 1   | OF VON 1                             | REV A                   |