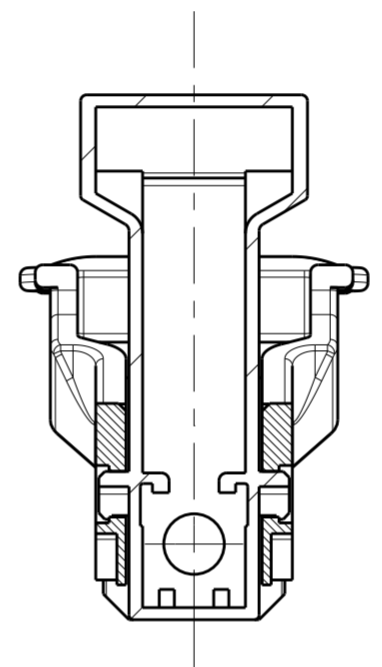
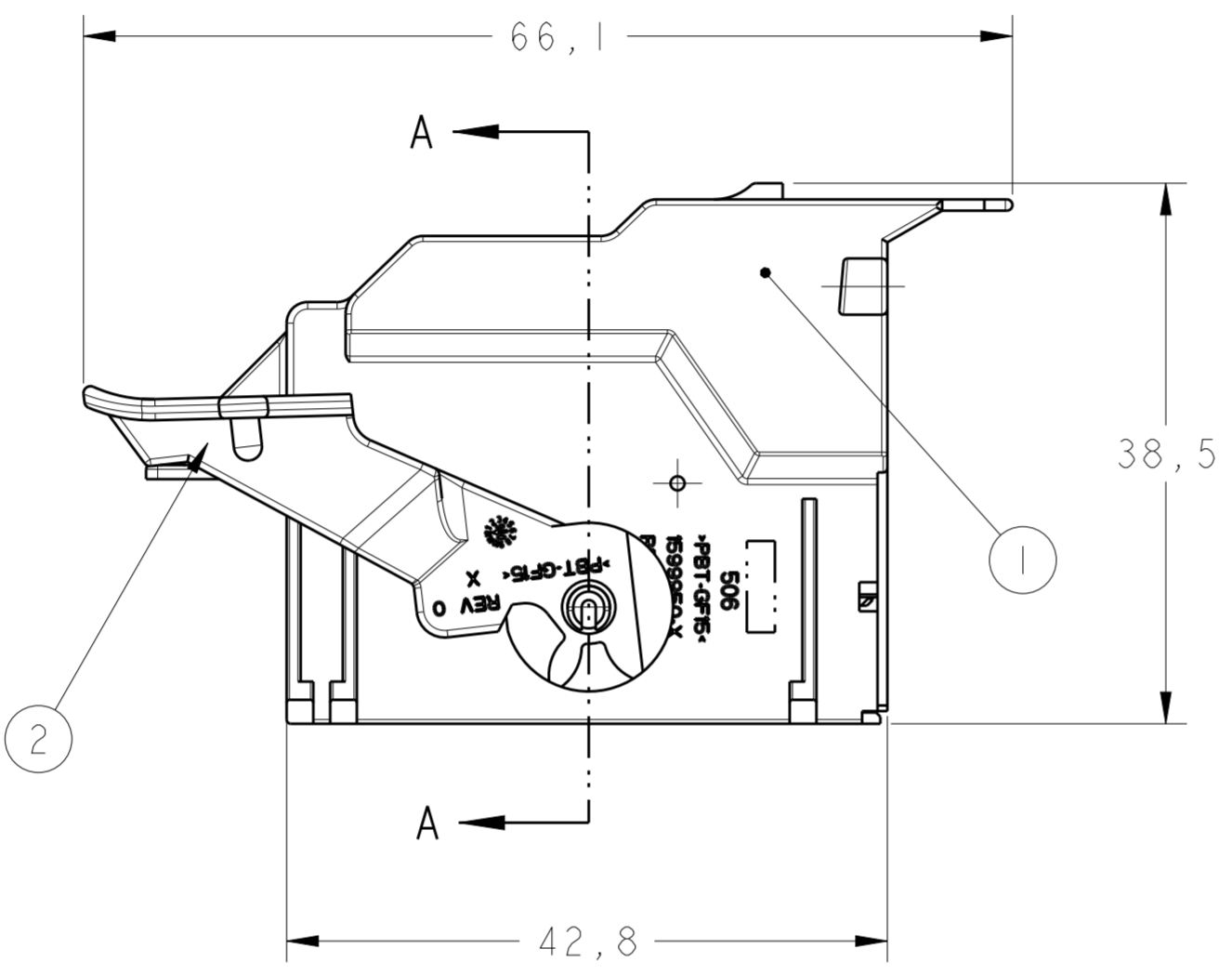
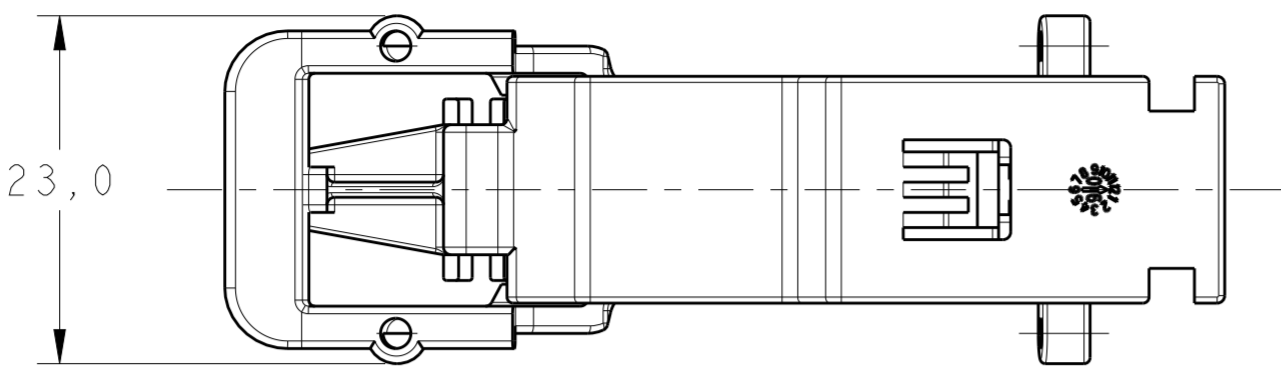


THIS DRAWING IS UNPUBLISHED. RELEASED FOR PUBLICATION 20  
 © COPYRIGHT 20 BY - ALL RIGHTS RESERVED.

creo  
 Creo Parametric 8.0  
 DO NOT REVISE  
 EXCEPT BY CAD

REVISIONS					
P	LTR	DESCRIPTION	DATE	DWN	APVD
C		REVISED DRAWING ECO-17-004766	06APR2017	NCL	NMS

GRAVAÇÕES MARKINGS
LOGOTIPO TE TE LOGO
CÓDIGO PAÍS PRODUTOR MANUFACTURER COUNTRY CODE
NOMENCLATURA MATERIAL MATERIAL NOMENCLATURE
NÚMERO COMPONENTE TE TE COMPONENT NUMBER
NÚMERO CAVIDADE CAVITY NUMBER
IDENTIFICAÇÃO CIRCUITO CIRCUIT IDENTIFICATION
REV+ LETRA REV. DA PEÇA REV.+ PART REV. LETTER
CÓDIGO DE DATA DATE CODE



SECTION A-A

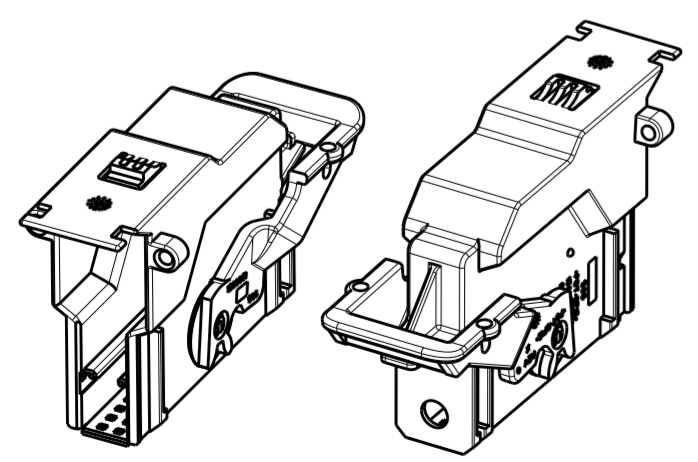
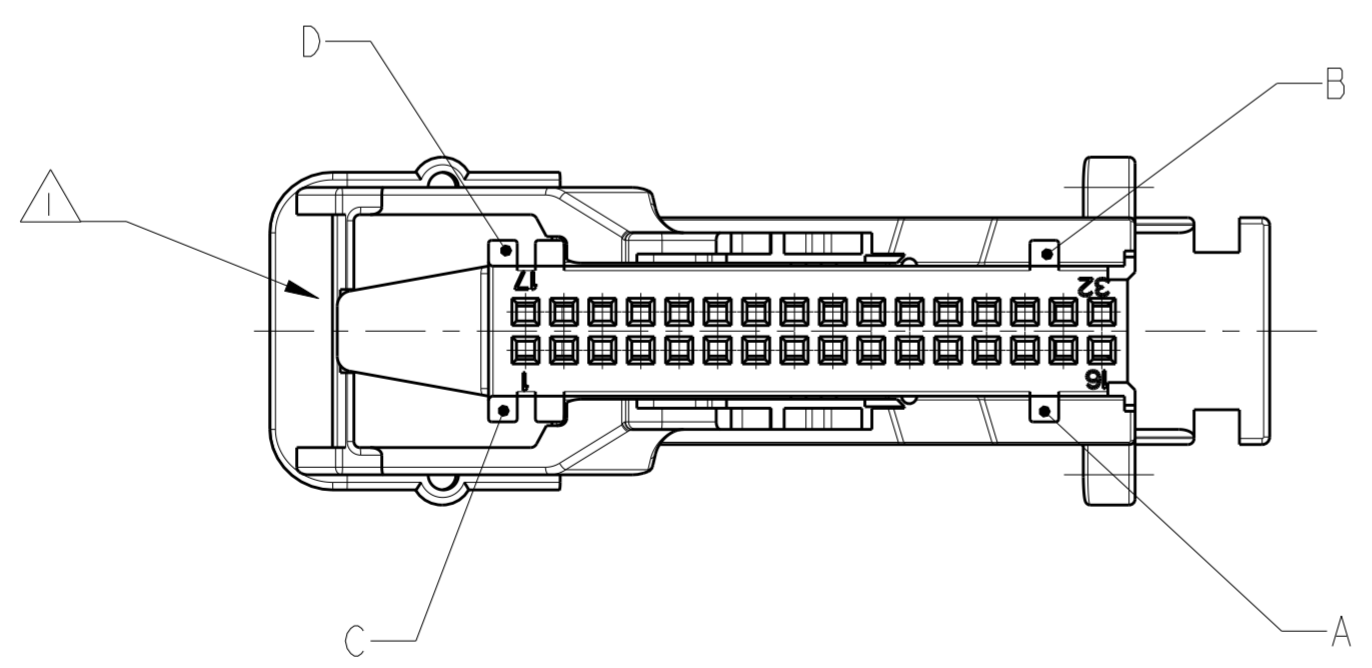
1 - LEVER DEVE ESTAR PRÉ-TRAVADO PARA MONTAGEM.  
 LEVER DEVE ESTAR TRAVADO ATRAVÉS O DIMPLE.

2- EMBALAGEM: PEÇA SOLTA.  
 3- USADO COM 1420000 E 1420001.

1 - LEVER ASSEMBLED IN PRE-LOCKED POSITION.  
 LEVER MUST BE LOCKED BEHIND THE DIMPLE.

2- PACKAGING: LOOSE PIECE.  
 3- USED WITH 1420000 AND 1420001.

PART NUMBER	CODE
1599952-1	BC
1599952-2	AD



PERSPECTIVE VIEW  
 SCALE 1:1

REQ. PER ASSY	ITEM	DESCRIPTION	MATERIAL	FINISH
1	1	LEVER	>PBT-GF15<	VIOLETA/VIOLET
1	1	HOUSING COVER. MQS. 2x16 POSN.	>PBT-GF15<	AZUL/BLUE
1	1	HOUSING COVER. MQS. 2x16 POSN.	>PBT-GF15<	VERDE/GREEN
1599952	-2-1	ITEM	DESCRIPTION	MATERIAL

THIS DRAWING IS A CONTROLLED DOCUMENT.		DWN R.K.S.T. LEME 09AUG2006	
DIMENSIONS: mm		CHK R.L.FARIA 09AUG2006	
TOLERANCES UNLESS OTHERWISE SPECIFIED:		APVD C.G.MARTINS 09AUG2006	
0 PLC ± 1 PLC ±0,3 2 PLC ± 3 PLC ± 4 PLC ± ANGLES ± FINISH SEE TABLE finish_spec_2		PRODUCT SPEC - APPLICATION SPEC - WEIGHT -	
MATERIAL SEE TABLE material_2		NAME HOUSING COVER ASSY, MQS 2X16 POSN.	
		SIZE A2	CAGE CODE 00779
		DRAWING NO C-1599952	RESTRICTED TO -
		SCALE 2:1	SHEET 1 OF 1
		CUSTOMER DRAWING	REV C