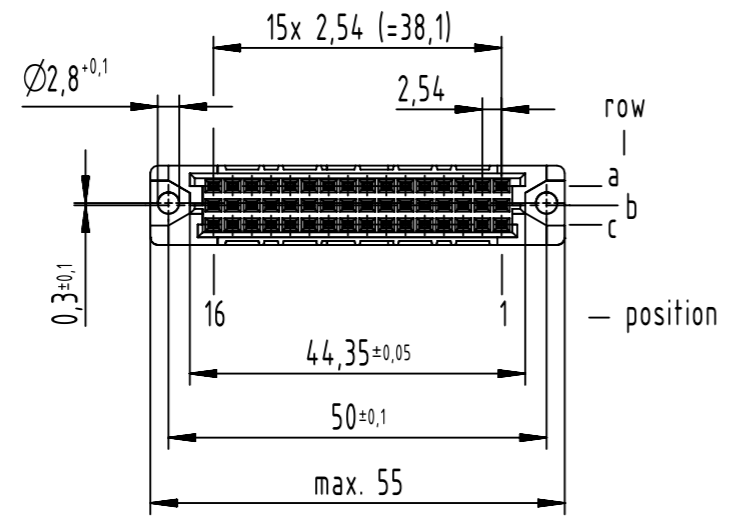
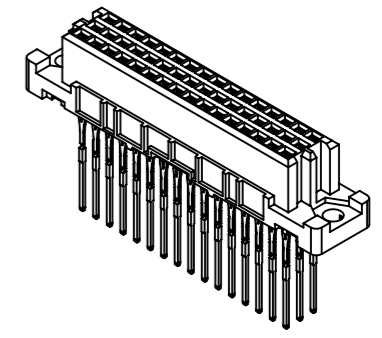
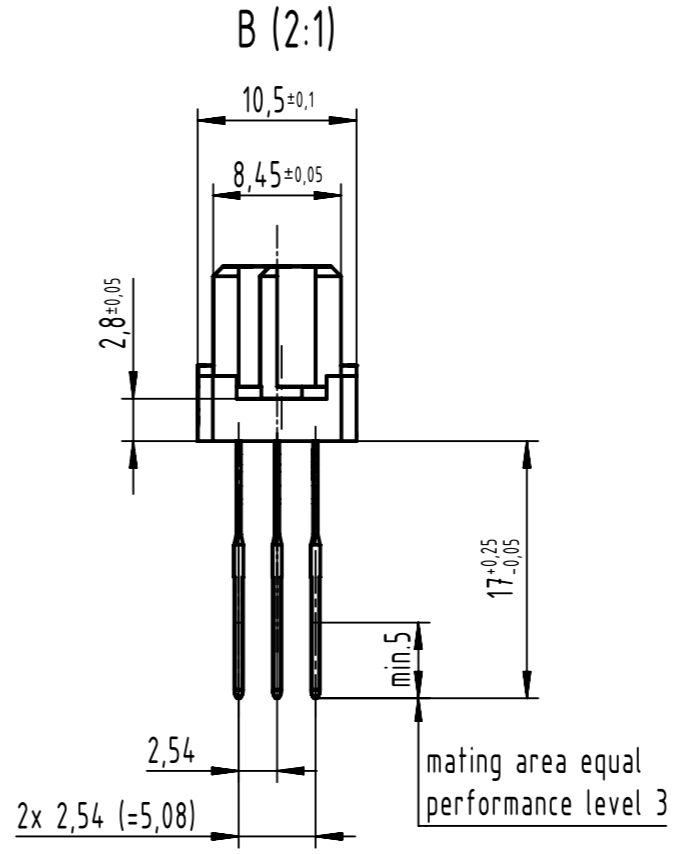
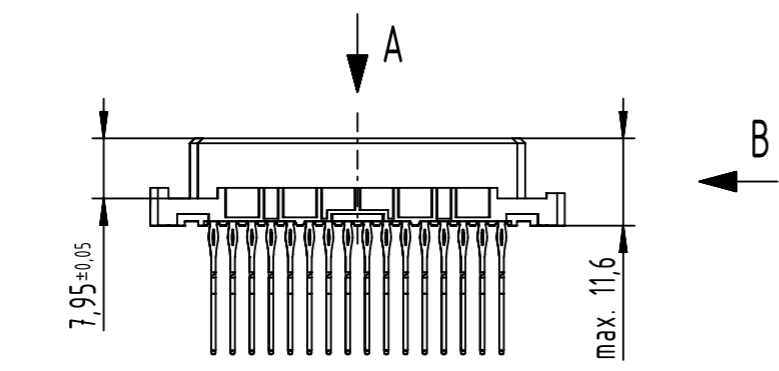


48 press-in contacts  
 ☒ = position with contact  
 □ = position without contact



1 recommended configuration of plated through holes and further information see product data sheet

09 23 248 6862	2
part no.	performance level

 All rights reserved Department EL PD HARTING D-32339 Espelkamp	All Dimensions in mm Original Size DIN A3	Scale 1:1	Free size tol. IEC 60603-2	Ref. Sub.
	Created by STORCK	Inspected by LEHNERT	Standardisation 302077	Date 2021-07-05
Title DIN Signal type 2C female press-in 17.0 48-pole				Doc-Key / ECM-Nr. 100222175/UGD/012/C 500000198117
Type TB		Number 0923248X862		Rev. C
				Page 1/1