



200W TRV-200 Series Switch Mode LED Drivers Constant Voltage Aluminum Housing

Electrical Specifications

Input Voltage Range:	100 - 277 Nom. Vac (90 - 305 V Min/Max)
Frequency:	50/60 Hz Nom. (47-63 Hz Min/Max)
Power Factor:	>0.90 @ full load, 100V through 277V
Inrush Current:	65 Amps max @ 230 Vac, cold start 25°C
Input Current:	2.3 A max 100Vac, 1.1 A max 220Vac
Maximum Power:	200W
Line Regulation:	± 1%
Load Regulation:	± 2%
THD:	≤ 20% @ full load
Leakage Current:	0.75 mA 277 Vac 60Hz
Typical Efficiency	92.5%-93.5% at 220Vac
Turn-on Delay:	0.9S typical 110Vac, 0.5S typical 220Vac
Ripple and Noise:	2% V _o
Protection:	Over-Voltage (latch mode), Over-Temperature (120°C), Over-Current (hiccup mode), Lightning, and Short Circuit Protection with Self Recovery

Environmental Specifications

Max Case Temperature:	88.2°C
Storage Temperature:	-40°C to +85°C
Humidity:	5% to 100%
Cooling:	Convection
Sound Rating:	Class A
MTBF:	276,000 Hours @ 110VAC input, 80% load and 25°C ambient conditions per MIL-HDBK-217F
Lifetime:	92,500 Hours @ 220Vac, 80% load and Tc = 60°C
Weight:	2.2 lbs. (1.0 kg)



- Total Power: 200 Watts
- Input Voltage: 100-277 Vac Nom.
- UL Dry & Damp Location Rated
- IP67
- Ultra-high Efficiency
- High Power Factor
- UL8750

Constant Voltage - Product Specifications

Model Name	Output Voltage (V _{dc} ±5%)	Output Current Range (A)	Max. Output Power (W)	Typical Efficiency
TRV-200S012ST	12	0-15.0	180	91.0%
TRV-200S024ST	24	0-8.33	200	92.0%
TRV-200S036ST	36	0-5.56	200	92.5%
TRV-200S048ST	48	0-4.17	200	92.5%
TRV-200S054ST	54	0-3.70	200	92.5%

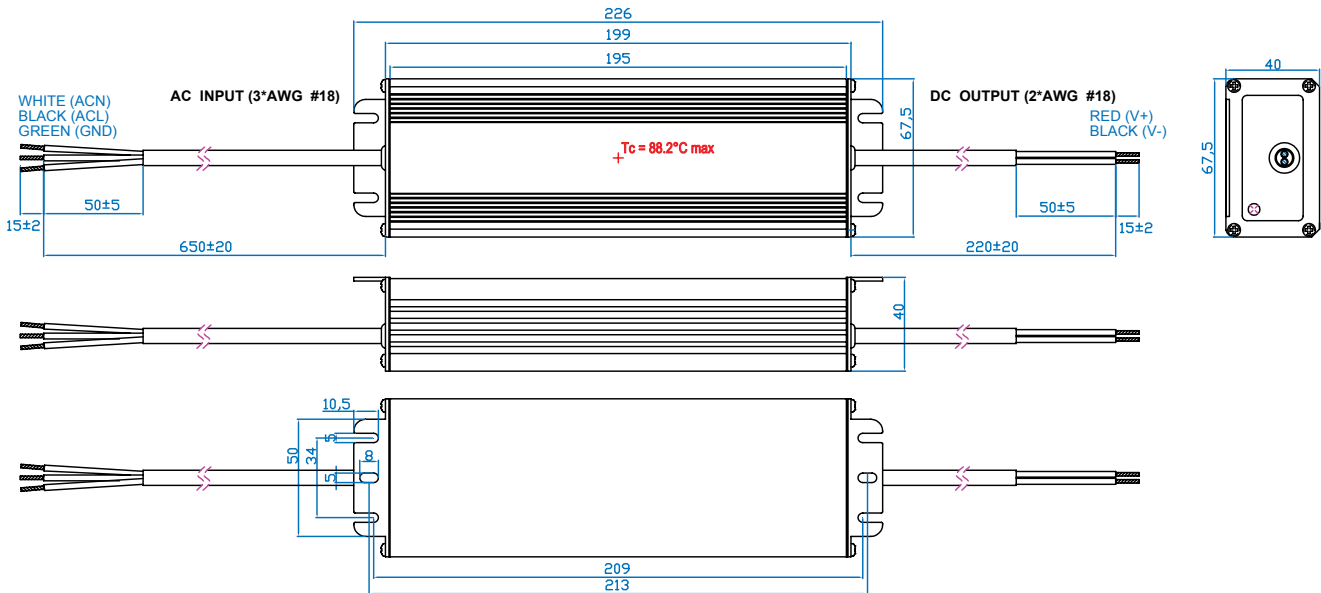


Note:
LED drivers are designed and intended to operate LED loads only. Non-LED loading may be outside the specified design limits of our LED drivers, and therefore cannot be covered by any warranty. If you desire to use our LED drivers to operate non-LED loads please contact us to discuss compatibility.

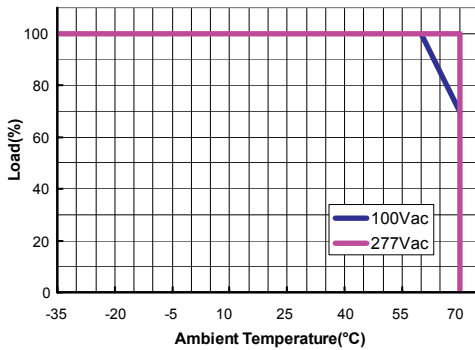
Specifications subject to change without notice.

Rev 8-28-15

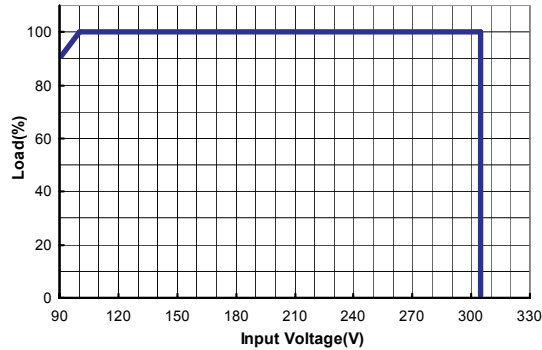
Dimensions - mm



Derating Curve



Derating Curve



Safety and EMC Compliance

UL/CUL	UL8750, Compliance to UL1012, UL935, CAN/CSA-C22.2 No. 0, CSA-C22.2 No. 107.1-01, CSA-C22.2 No. 250.0
C E	EN 61347-1, EN61347-2-13
EN 55015	Conducted emission Test & Radiated emission Test
EN 61000-3-2	Harmonic current emissions
EN 61000-3-3	Voltage fluctuations & flicker
EN 61000-4-2	Electrostatic Discharge (ESD): 8 kV air discharge, 4 kV contact discharge
EN 61000-4-3	Radio-Frequency Electromagnetic Field Susceptibility Test-RS
EN 61000-4-4	Electrical Fast Transient / Burst-EFT
EN 61000-4-5	Surge Immunity Test: AC Power Line: line to line 2 kV, line to earth 4 kV
EN 61000-4-6	Conducted Radio Frequency Disturbances Test-CS
EN 61000-4-8	Power Frequency Magnetic Field Test
EN 61000-4-11	Voltage Dips
EN 61547	Electromagnetic Immunity Requirements Applies to Lighting Equipment