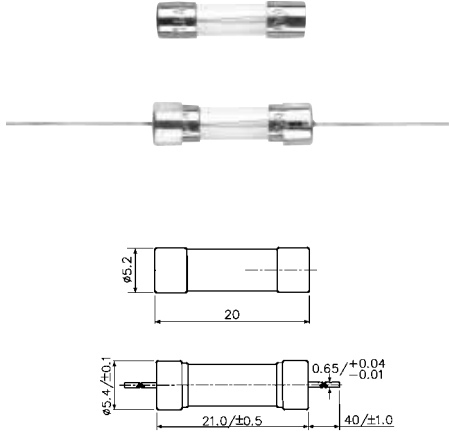


**5x20mm  
Time-Lag**

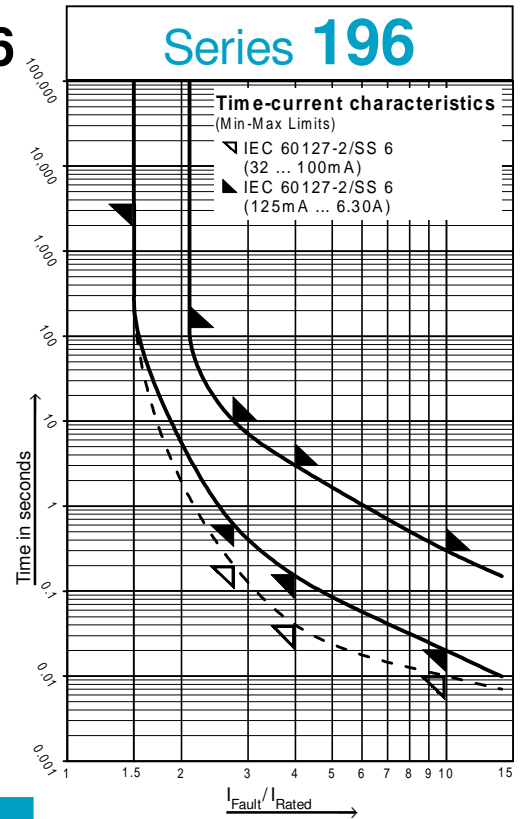


# IEC 60127-2/SS 6

- **FaxBack Document # 205**
- **Glass tube**  
Brass caps, nickel-plated
- **Approvals:**  
cULus Recognized: File No. E 67006  
VDE: File No. 43285
- **Packaging:**  
00: Bulk (1000 pcs. per Box)  
02: Pack (10 pcs. per Pack)  
40: Axial Leads/Bulk  
43: Axial Leads/Tape & Reel (1000 pcs. per Reel)



# Series 196



Note: Contact WICKMANN for individual I-t curves

### • Limits for Pre-arcing Time

Rated Current	150%	210%	275%	400%	1000%
32 ... 100mA	> 1h	< 2min	200ms ... 10s	40ms ... 3s	10 ... 300ms
125mA ... 6.30A	> 1h	< 2min	600ms ... 10s	150ms ... 3s	20 ... 300ms

Permissible continuous operating current is ≤ 100% at ambient temperature of 23°C (73.4°F).

Rated Current / Rated Voltage	Amp Code	Breaking Capacity	Voltage Drop (max) <sup>1</sup> 100% x I <sub>Rated</sub> (mV)	Power Dissipation (max) <sup>1</sup> 150% x I <sub>Rated</sub> (W)	Melting Integral (min) 1000% x I <sub>Rated</sub> (A <sup>2</sup> s)	Approvals	
						VDE	cULus
32mA / 250V	0032	E ≅ 150A at 250VAC cos φ = 1.0	5000	1.6	0.01	•	•
40mA / •	0040		4000	1.6	0.011	•	•
50mA / •	0050		3500	1.6	0.019	•	•
63mA / •	0063		3000	1.6	0.035	•	•
80mA / •	0080		3000	1.6	0.052	•	•
100mA / •	0100		2500	1.6	0.075	•	•
125mA / •	0125		2000	1.6	0.13	•	•
160mA / •	0160		1900	1.6	0.24	•	•
200mA / •	0200		1500	1.6	0.3	•	•
250mA / •	0250		1300	1.6	0.33	•	•
315mA / •	0315		1100	1.6	1.2	•	•
400mA / •	0400		1000	1.6	2.4	•	•
500mA / •	0500		900	1.6	4.4	•	•
630mA / •	0630		300	1.6	7.5	•	•
800mA / •	0800		250	1.6	11	•	•
1.00A / •	1100		150	1.6	15	•	•
1.25A / •	1125		150	1.6	22	•	•
1.60A / •	1160		150	1.6	36	•	•
2.00A / •	1200		150	1.6	16	•	•
2.50A / •	1250		120	1.6	17	•	•
3.15A / •	1315		100	1.6	30	•	•
4.00A / •	1400		100	1.6	54	•	•
5.00A / •	1500		100	1.6	130	•	•
6.30A / •	1630		100	1.6	140	•	•

<sup>1</sup> values according to IEC 60127; WICKMANN values may be lower

### • Order Information

Qty.	Order-Number	Series	Amp Code	Packaging
		196		0