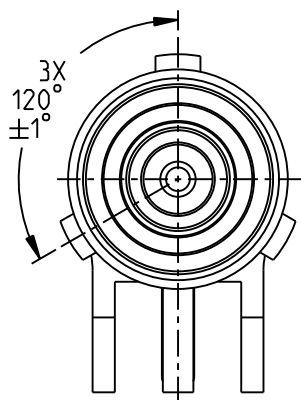
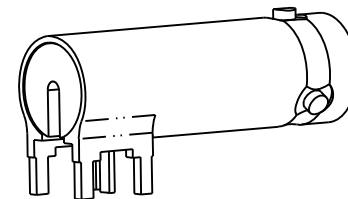
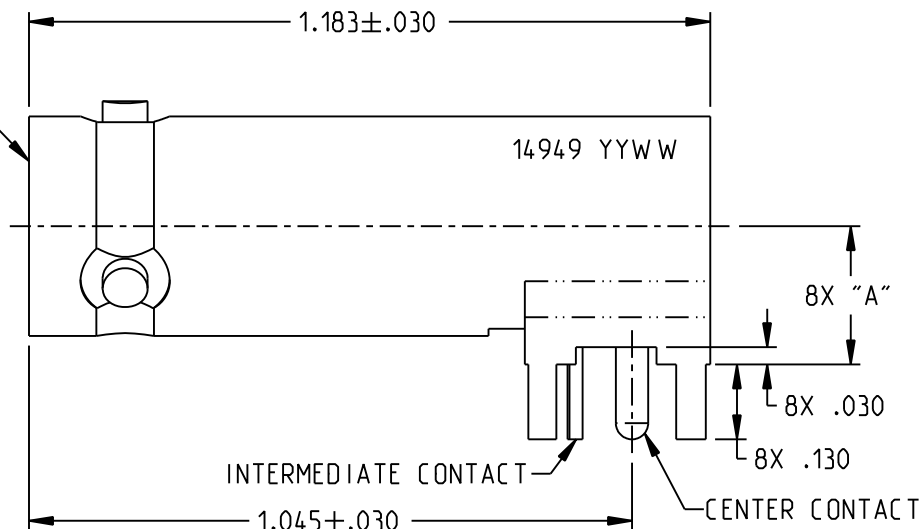


| MODEL NUMBER | "A" | Ø"B" |
|--------------|-----|-------|
| CBJR70 | .24 | .0625 |
| CBJR70A | .34 | .070 |



TRB JACK INTERFACE
PER MIL-STD-348
FIGURE 201-2



CBJR70 SHOWN

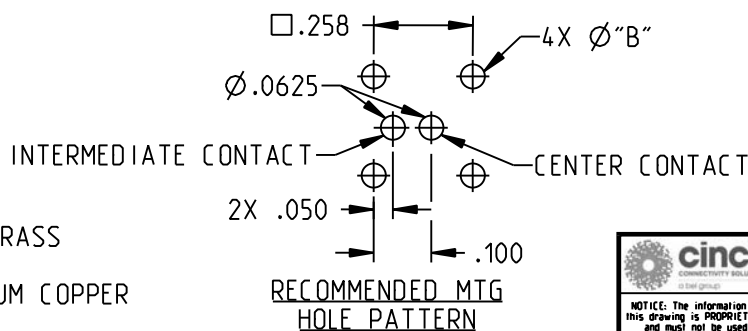
NOTES: UNLESS OTHERWISE SPECIFIED

1. MATERIAL & FINISH:

- 1.1 BODY: TIN PLATED BRASS
- 1.2 INSULATOR: PTFE (TEFLON)
- 1.3 INTERMEDIATE CONTACT: GOLD PLATED BRASS
- 1.4 DIELECTRIC: PTFE (TEFLON)
- 1.5 CENTER CONTACT: GOLD PLATED BERYLLIUM COPPER

2. ELECTRICAL:

- 2.1 FREQUENCY (MAX): 500MHZ
- 2.2 IMPEDANCE: NON-CONSISTENT



| | | | |
|--|--|---|---|
| | 3RD ANGLE PROJECTION | TROMPETER | |
| | RoHS2 <input checked="" type="checkbox"/> 2015/863/EU | Title: TRB RIGHT ANGLE JACK, CIRCUIT BOARD MOUNT | |
| <small>NOTICE: The information in this drawing is PROPRIETARY and must not be used without the permission of Cinch Connectivity Solutions. It may contain data whose export is restricted. Verify status prior to exporting.</small> | | Model No. | CBJR70/A |
| <small>UNLESS OTHERWISE SPECIFIED UNITS: INCH</small> .XX ± .02 .XXX ± .005 .XXXX ± .0010 ANGLE ± 2° 00' | | Size A | DO NOT SCALE DRAWING Date: 3/24/2022 Sheet 1 OF 1 |
| <small>INTERPRET DRAWING IN ACCORDANCE WITH ASME Y14.5-2018</small> | | | |