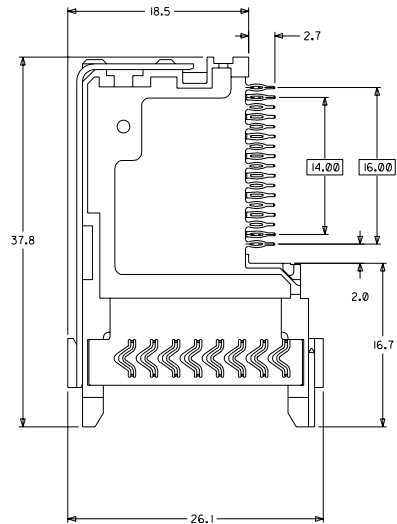
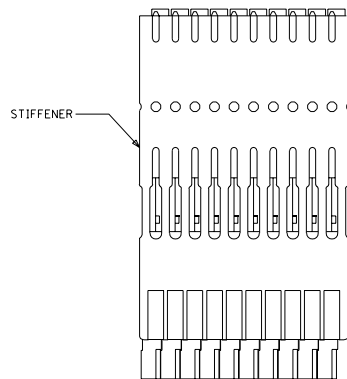
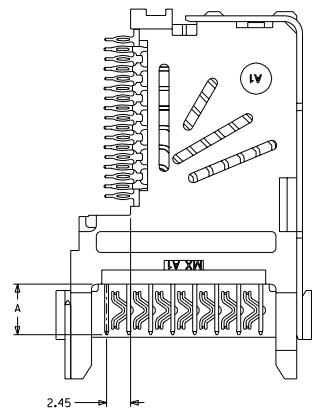
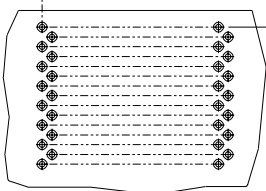
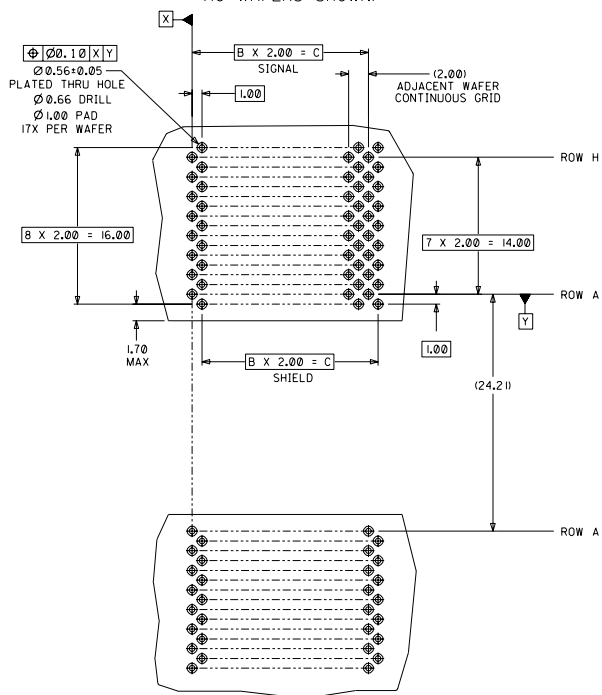


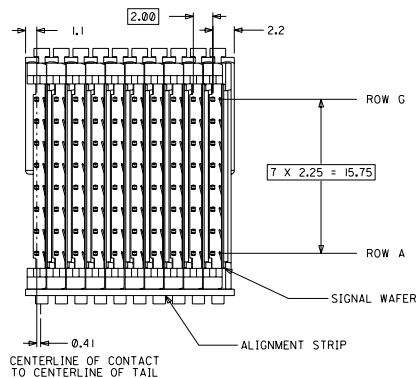
- NOTES:  
 1. MATERIALS: HOUSING-LIQUID CRYSTAL POLYMER (LCP),  
 COLOR: BLACK OR GRAY (SEE CHART).  
 TERMINALS AND SHIELD: HIGH PERFORMANCE COPPER ALLOY.  
 2. FINISH: SELECTIVE GOLD (Au) IN CONTACT AREA, 0.00127mm  
 (50 MICROINCHES) MINIMUM OR 0.00076mm  
 (30 MICROINCHES) MINIMUM--SEE CHART--  
 SELECTIVE TIN/LEAD (SnPb)  
 IN TAIL AREA; NICKEL (Ni) OVERALL.  
 3. SIGNAL WAFERS SUPPLIED ON A STAINLESS STEEL STIFFENER  
 WITH A STAINLESS STEEL ALIGNMENT STRIP.  
 CONFIGURATIONS ARE CUSTOM PER ASSEMBLY. CONSULT  
 FACTORY FOR DETAILS.



MALE HOLE PATTERN  
 (CONNECTOR SIDE)  
 (10 WAFERS SHOWN)



RECEPTACLE HOLE PATTERN  
 (CONNECTOR SIDE)



PART NUMBER	DIM A	HOUSING COLOR	GOLD PLATING (MICROINCHES)
75 166-1000	5.15	BLACK	30
75 166-1500	5.15	GRAY	50
75 166-2000	ROW A & H 4.75	BLACK	30
	ROW B-G 5.15		
75 166-2500	ROW A & H 4.75	GRAY	50
	ROW B-G 5.15		

EXAMPLES OF WAFER ASSEMBLIES

NUMBER OF SIGNAL WAFERS	DIM B	DIM C
10	9	18.00
25	24	48.00
50	49	98.00

RELEASED FOR PRODUCTION  
 EC NO. LUCP-2003-1580  
 CHRG. BINGHAM 03/02/06  
 CHRG. REED 03/02/06  
 APPR. BIXLER 03/02/06

QUALITY SYMBOLS  
 MAJOR  
 CRITICAL  
 REV

GENERAL TOLERANCES: UNLESS SPECIFIED)  
 SCALE 4 : 1  
 DESIGN UNITS mm INCH  
 THIRD ANGLE PROJECTION  
 DRAWN BY & DATE BINGHAM 03/02/05  
 CHECKED BY & DATE REED 03/02/05  
 APPROVED BY & DATE BIXLER 03/02/05  
 CAD FILENAME S75166X1.DGN MATERIAL NO. DRAWING NO. SD-75166-001 SHEET NO. 1 OF 1

TITLE: VHDM 8 ROW RIGHT ANGLE MALE SIGNAL WAFER SALES DRAWING  
 MOLEX INCORPORATED  
 DRAFT WHERE APPLICABLE MUST REMAIN WITHIN DIMENSIONS  
 THIS DRAWING CONTAINS INFORMATION THAT IS PROPRIETARY TO MOLEX INCORPORATED AND SHOULD NOT BE USED WITHOUT WRITTEN PERMISSION.