

MATERIALS AND FINISHES:

BODY: BRASS
 OPTION 1:
 PLATED GOLD (1μ-in MIN)
 OVER NICKEL PHOSPHOR (80μ-in MIN)
 OVER COPPER (20μ-in MIN)
 OPTION 2:
 PLATED TRI-M (80μ-in MIN)
 OPTION 3:
 PLATED GOLD (8μ-in MIN)
 OVER NICKEL PHOSPHOR (80μ-in MIN)
 OVER COPPER (20μ-in MIN)

INSULATOR: PTFE

CENTER CONTACT: BRASS
 PLATED GOLD (8μ-in MIN)
 OVER NICKEL PHOSPHOR (80μ-in MIN)
 OVER COPPER (20μ-in MIN)

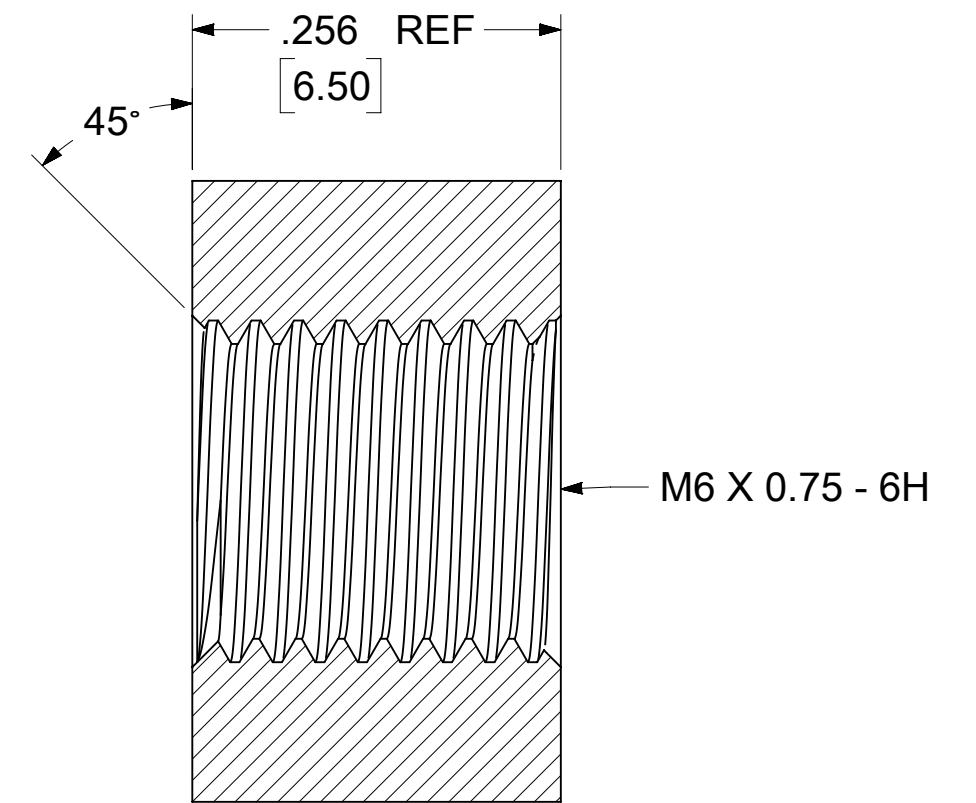
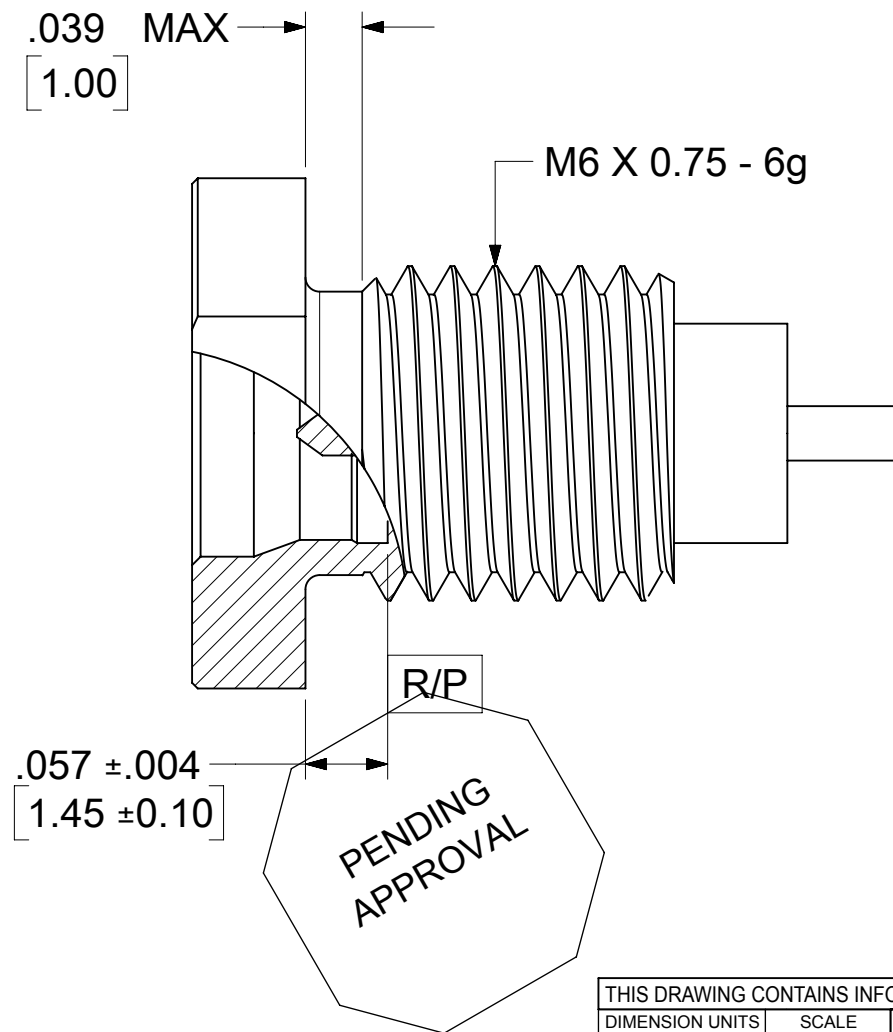
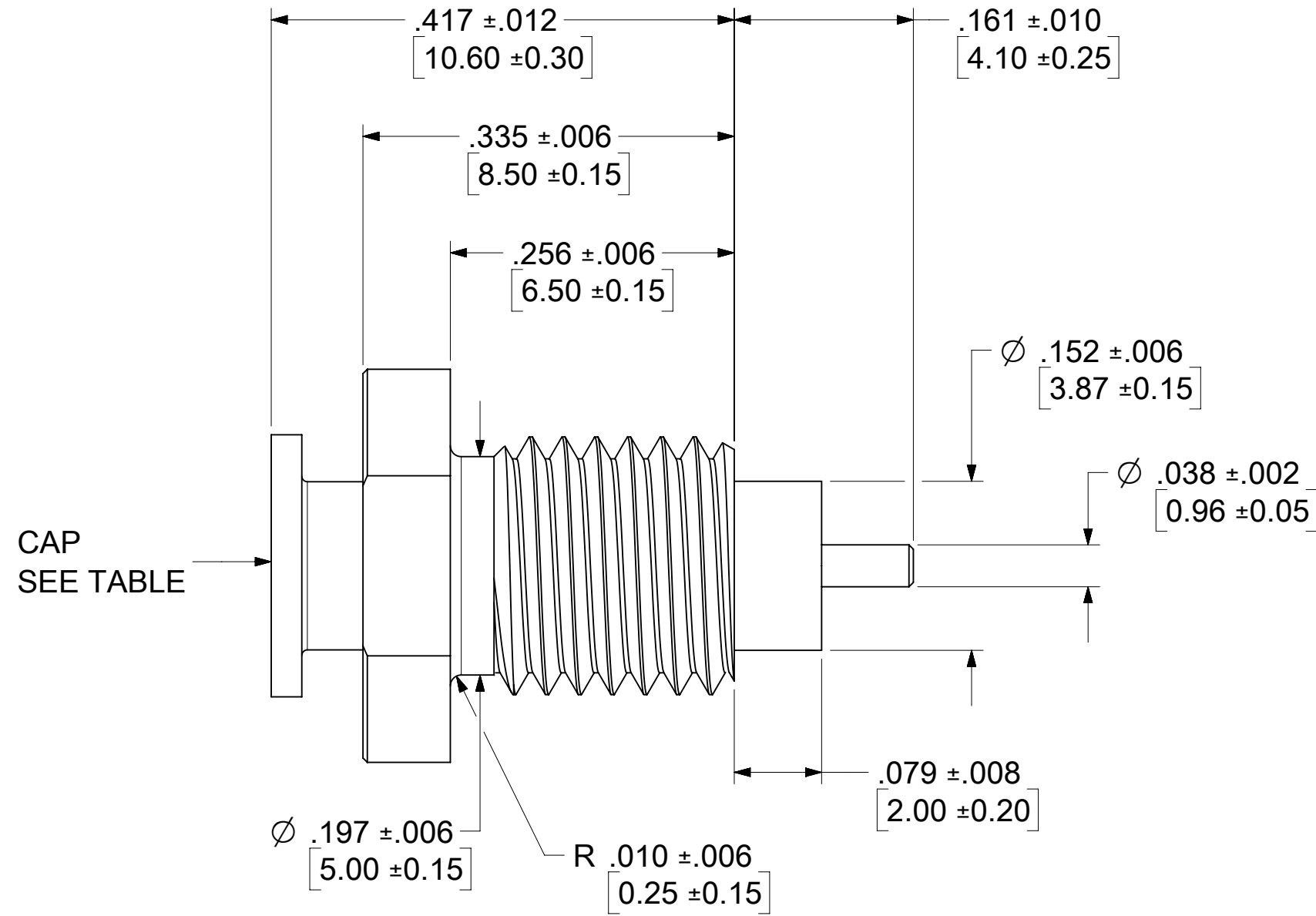
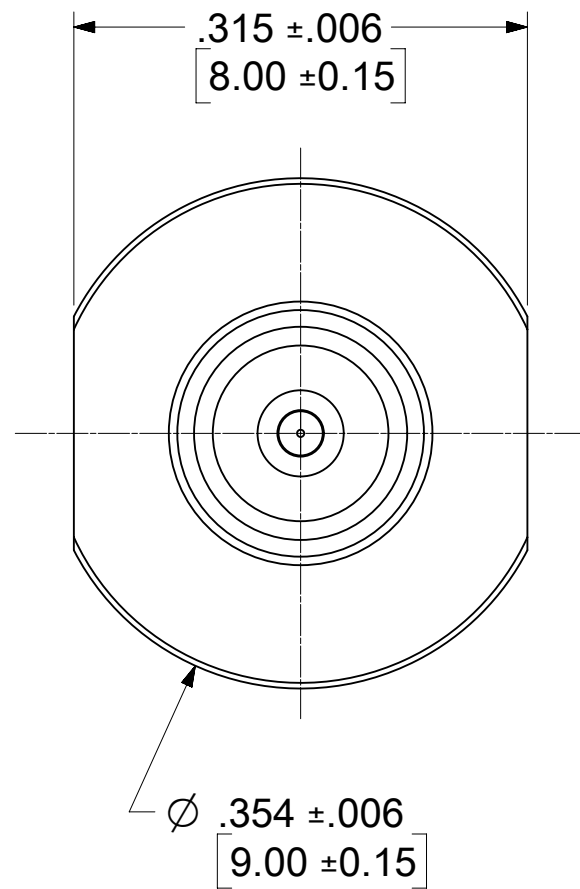
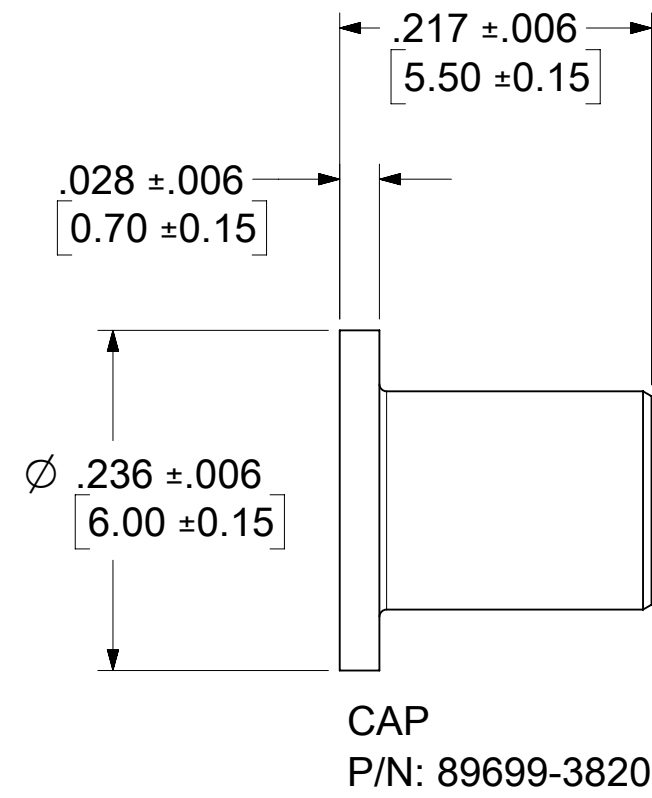
CAP: PTFE

ELECTRICAL CHARACTERISTICS:

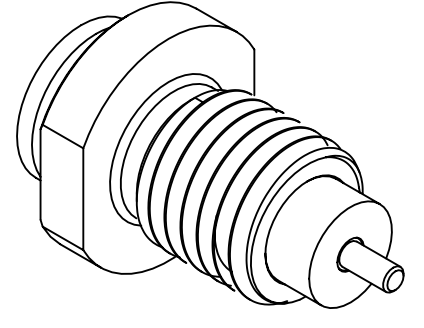
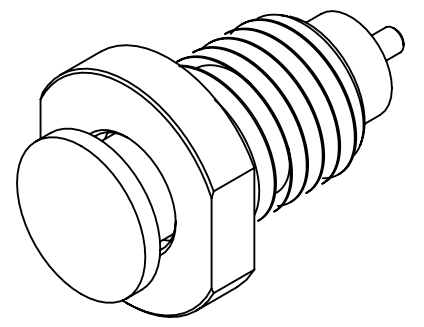
NOMINAL IMPEDANCE: 50Ω
 FREQUENCY RANGE: 0 - 10 GHz
 VSWR (MAX) / RETURN LOSS (MAX)

| | |
|---------------|---------------|
| DC - 4 GHz | 4 - 6 GHz |
| 1.07 / -30 dB | 1.12 / -25 dB |

INSERTION LOSS: 0.03 √F (GHz) dB MAX
 COAXIAL TRANSMISSION LINE ONLY



RECOMMENDED PANEL CUTOUT



| | | | |
|------------|-------------|------------|-----------|
| 73420-5445 | OPTION 3 | 89699-3820 | TRAY |
| 73420-5444 | | | SINGLE PC |
| 73420-5443 | OPTION 2 | N/A | TRAY |
| 73420-5442 | | | SINGLE PC |
| 73420-5441 | OPTION 1 | 89699-3820 | TRAY |
| 73420-5440 | | | SINGLE PC |
| PART NO | BODY FINISH | CAP | PACKAGING |

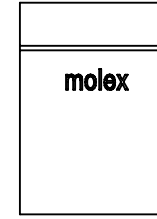
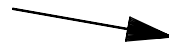
| | |
|---------------|-----------------------|
| PS-89675-3760 | ELEC/MECH PERFORMANCE |
| SPECIFICATION | DESCRIPTION |

| | | | |
|-----------------|----|--------------|--|
| DOCUMENT STATUS | RQ | RELEASE DATE | |
|-----------------|----|--------------|--|

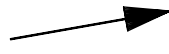
| | | | | | | | | | |
|---|--|------------------------|--|--------------------------------|--|---------------|--|-------------------------------|--|
| THIS DRAWING CONTAINS INFORMATION THAT IS PROPRIETARY TO MOLEX ELECTRONIC TECHNOLOGIES, LLC AND SHOULD NOT BE USED WITHOUT WRITTEN PERMISSION | | | | | | | | | |
| DIMENSION UNITS: INCH/MM | | SCALE: NTS | | CURRENT REV DESC: CORRECT TYPO | | | | | |
| GENERAL TOLERANCES (UNLESS SPECIFIED) | | ANGULAR TOL ± 2.0° | | EC NO: 708622 | | | | | |
| 4 PLACES ± | | 3 PLACES ± | | 2 PLACES ± 0.25 | | 1 PLACE ± | | 0 PLACES ± | |
| DRAFT WHERE APPLICABLE MUST REMAIN WITHIN DIMENSIONS | | THIRD ANGLE PROJECTION | | DRAWING: C-SIZE | | SERIES: 73420 | | MATERIAL NUMBER: SEE TABLE | |
| | | | | DRWN: RYEH | | 2013/11/24 | | DOCUMENT NUMBER: SD-73420-544 | |
| | | | | CHK'D: | | 2014/01/15 | | DOC TYPE: PSD | |
| | | | | APPR: MHUANG | | | | DOC PART: 001 | |
| | | | | INITIAL REVISION: | | | | REVISION: A7 | |
| | | | | CUSTOMER: GENERAL MARKET | | | | SHEET NUMBER: 1 OF 3 | |



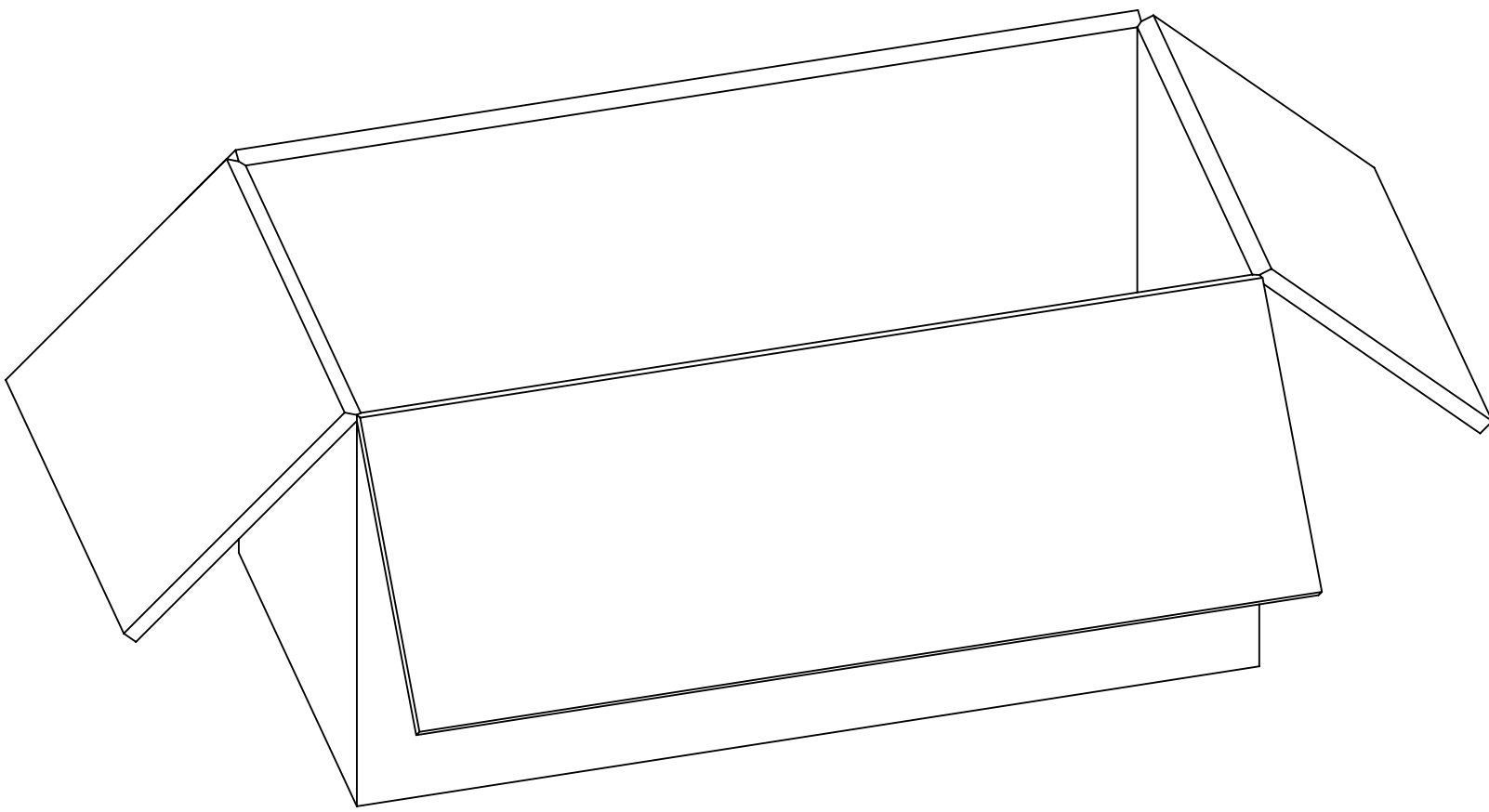
P/N: 73420-5440
OR
P/N: 73420-5444



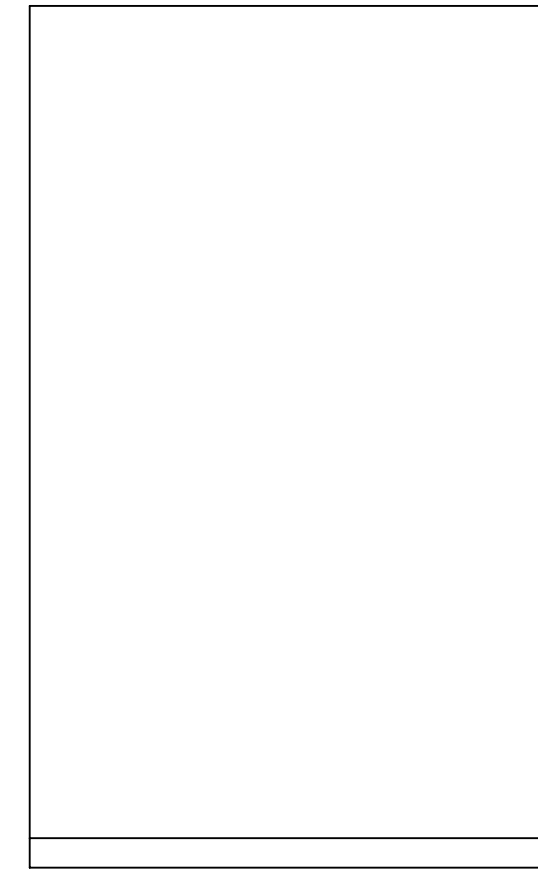
1 SET PER BAG
P/N: 89707-0317



P/N: 73420-5442



500 SETS PER CARTON BOX
P/N: 96707-0002



50 SETS PER BAG
P/N: 89707-0176

PENDING APPROVAL

THIS DRAWING CONTAINS INFORMATION THAT IS PROPRIETARY TO MOLEX ELECTRONIC TECHNOLOGIES, LLC AND SHOULD NOT BE USED WITHOUT WRITTEN PERMISSION

| | | | | | | | | | | | | | | | |
|--|--|-------|--|--|--|------------|--|---|--|-----------|--|----------------|--|----------|--|
| DIMENSION UNITS | | SCALE | | CURRENT REV DESC: CORRECT TYPO | | | | molex | | | | | | | |
| INCH/MM | | NTS | | | | | | | | | | | | | |
| GENERAL TOLERANCES (UNLESS SPECIFIED) | | | | EC NO: 708622 DRWN: RYEH CHK'D: APPR: | | | | SMP-MAX EVO RECEPTACLE STR SNAP TYPE PANEL NOUNT M6X0.75 | | | | | | | |
| ANGULAR TOL ± 2.0° | | | | | | | | 2022/05/31 | | | | | | | |
| 4 PLACES ± | | | | INITIAL REVISION: | | | | PRODUCT CUSTOMER DRAWING | | | | | | | |
| 3 PLACES ± | | | | | | | | DOCUMENT NUMBER | | | | | | | |
| 2 PLACES ± 0.25 | | | | DRWN: RYEH | | | | SD-73420-544 | | DOC TYPE | | DOC PART | | REVISION | |
| 1 PLACE ± | | | | APPR: MHUANG | | | | PSD | | 001 | | A7 | | | |
| 0 PLACES ± | | | | 2013/11/24 | | 2014/01/15 | | MATERIAL NUMBER | | CUSTOMER | | SHEET NUMBER | | | |
| DRAFT WHERE APPLICABLE MUST REMAIN WITHIN DIMENSIONS | | | | THIRD ANGLE PROJECTION | | DRAWING | | SERIES | | SEE TABLE | | GENERAL MARKET | | 2 OF 3 | |

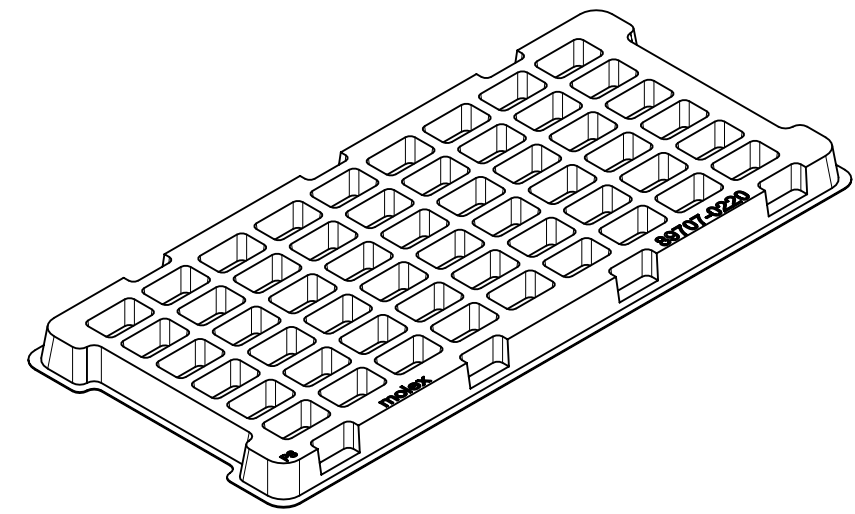
| | | | |
|-----------------|----|--------------|--|
| DOCUMENT STATUS | RQ | RELEASE DATE | |
|-----------------|----|--------------|--|



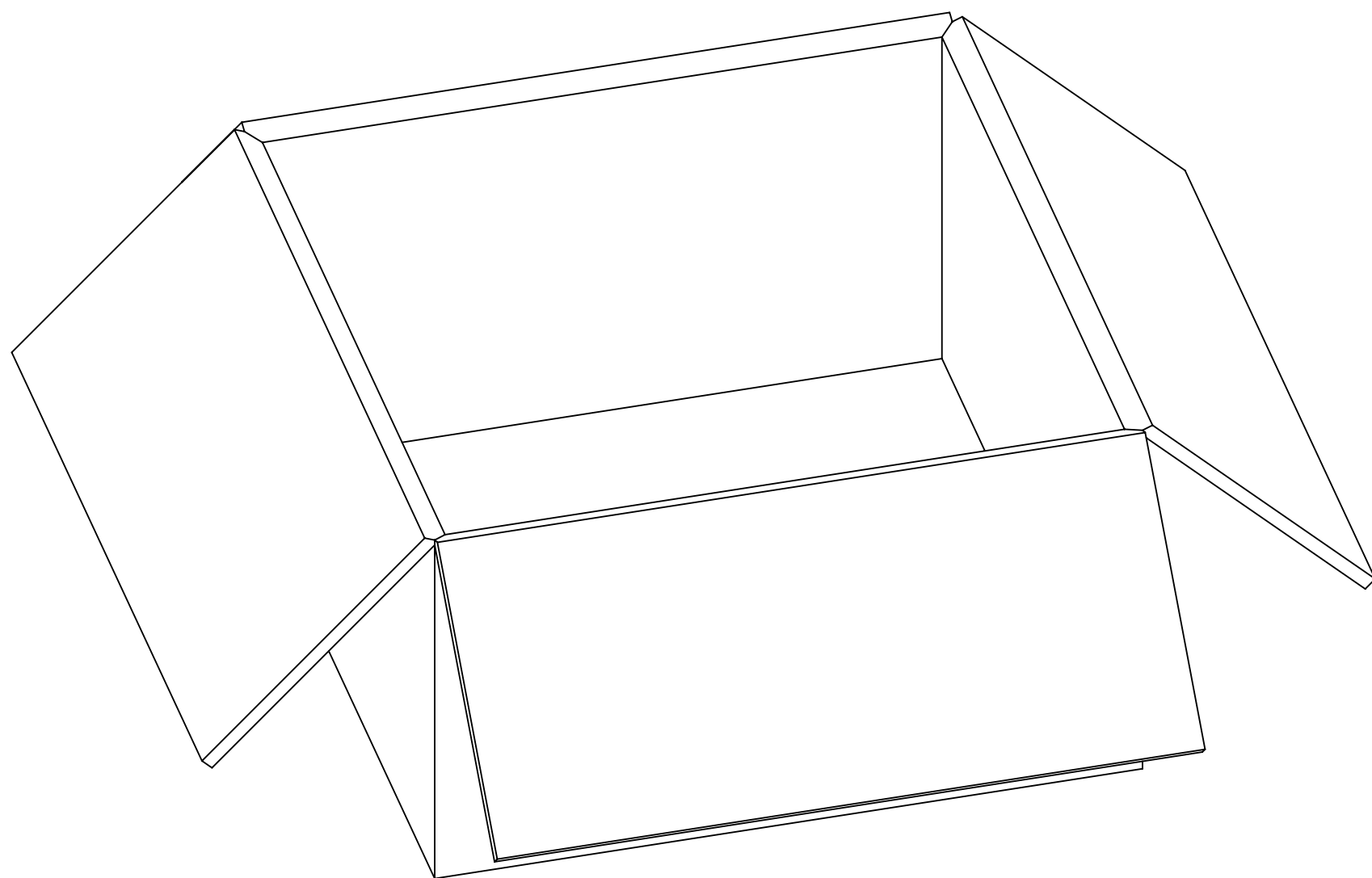
P/N: 73420-5441
OR
P/N: 73420-5445



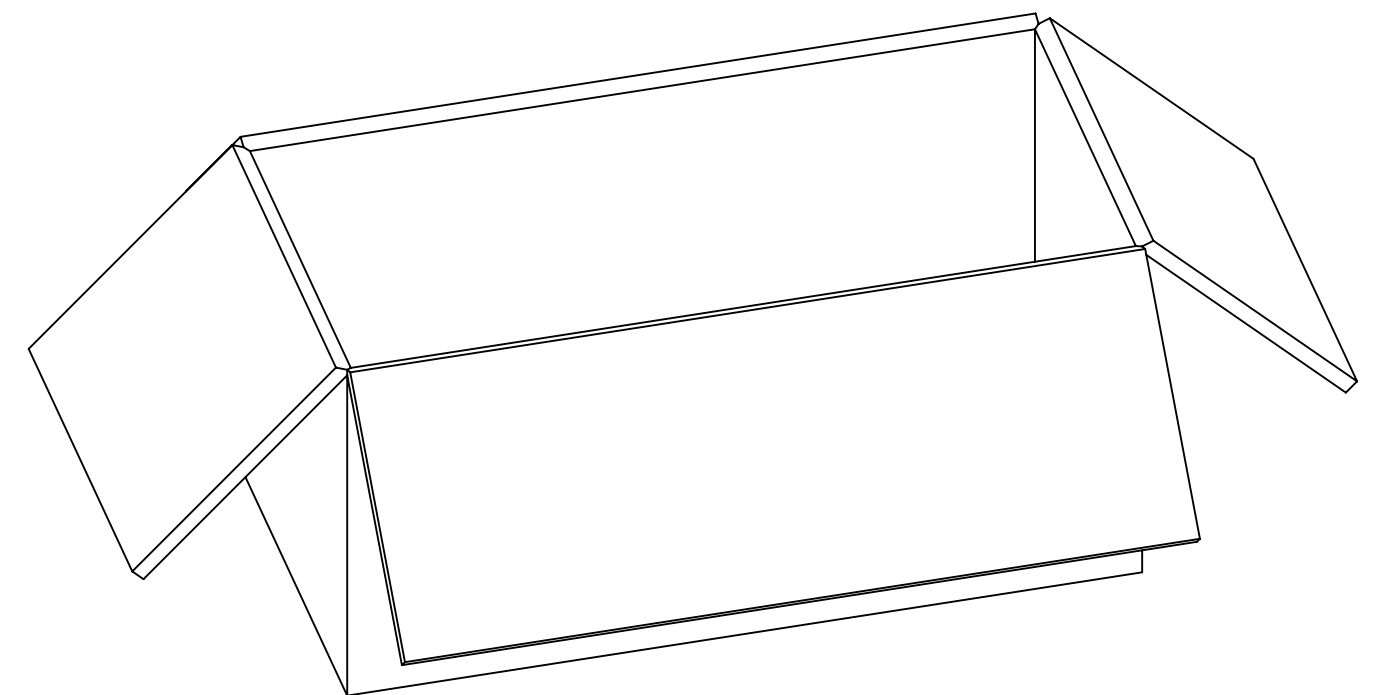
P/N: 73420-5443



54 SETS PER TRAY
P/N: 89707-0220



1080 SETS PER OUTER
CARTON BOX
P/N: 96708-0005



540 SETS PER INNER
CARTON BOX
P/N: 96707-0001

PENDING
APPROVAL

THIS DRAWING CONTAINS INFORMATION THAT IS PROPRIETARY TO MOLEX ELECTRONIC TECHNOLOGIES, LLC AND SHOULD NOT BE USED WITHOUT WRITTEN PERMISSION

| | | | | | | | | | | | | |
|--|--|-------|--|--------------------------------|--|---------|--------|---|--|----------------|----------|--------------|
| DIMENSION UNITS | | SCALE | | CURRENT REV DESC: CORRECT TYPO | | | | molex | | | | |
| INCH/MM | | NTS | | | | | | | | | | |
| GENERAL TOLERANCES (UNLESS SPECIFIED) | | | | EC NO: 708622 | | | | SMP-MAX EVO RECEPTACLE STR SNAP TYPE PANEL NOUNT M6X0.75 | | | | |
| ANGULAR TOL ± 2.0° | | | | DRWN: RYEH 2022/05/31 | | | | | | | | |
| 4 PLACES ± | | | | CHK'D: | | | | PRODUCT CUSTOMER DRAWING | | | | |
| 3 PLACES ± | | | | APPR: | | | | | | | | |
| 2 PLACES ± 0.25 | | | | INITIAL REVISION: | | | | DOCUMENT NUMBER | | DOC TYPE | DOC PART | REVISION |
| 1 PLACE ± | | | | DRWN: RYEH 2013/11/24 | | | | SD-73420-544 | | PSD | 001 | A7 |
| 0 PLACES ± | | | | APPR: MHUANG 2014/01/15 | | | | MATERIAL NUMBER | | CUSTOMER | | SHEET NUMBER |
| DRAFT WHERE APPLICABLE MUST REMAIN WITHIN DIMENSIONS | | | | THIRD ANGLE PROJECTION | | DRAWING | SERIES | SEE TABLE | | GENERAL MARKET | | 3 OF 3 |

| | | | |
|-----------------|----|--------------|--|
| DOCUMENT STATUS | RQ | RELEASE DATE | |
|-----------------|----|--------------|--|