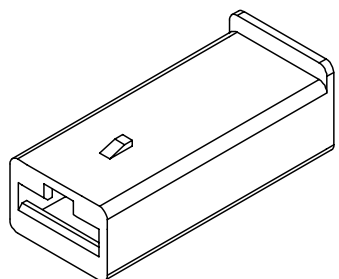
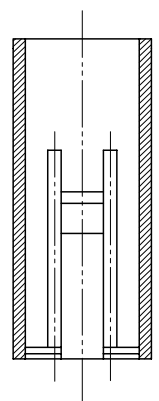


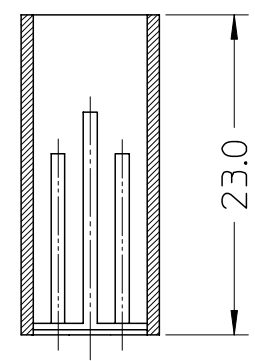
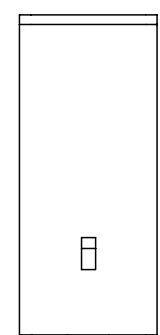
7 6 5 4 3 2 1



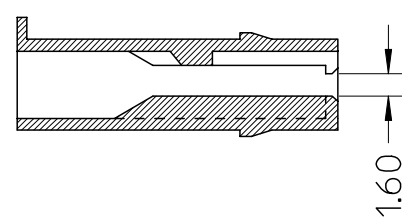
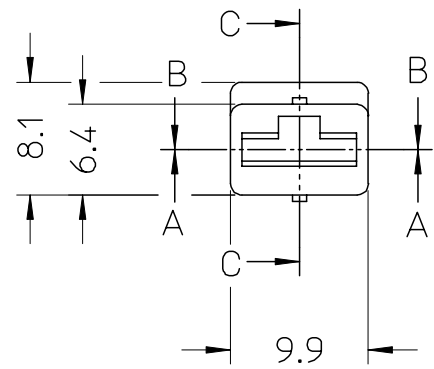
SEZ. A-A



SEZ. B-B



SEZ. C-C



CONFEZIONE STANDARD (SPQ) : 10.000 pz. in SCATOLA DI CARTONE
 STANDARD PACKING QUANTITY : 10.000 pcs in CARTON BOX

CODICE / P.N.	COLORE	COLOUR	MATERIALE / MATERIAL
94090-4040	NATURALE	NATURAL	PA66 UL94-V2
94090-4041	NERO	BLACK	
94090-4042	ROSSO	RED	
94090-4044	NATURALE	NATURAL	PA66 GWT 750°C sec. IEC 60335-1 TEST METHOD IEC 60695-2-11

STD DESCR: HSG FOR 6.3 F TERM

ADD MATERIAL NBR EC NO: Z2007-0045 DRWN:LSANTISS 2006/10/06 CHKD:RSANDANO 2006/10/06 APPR:GZUIN 2006/10/10	DESCRIPTION B3	QUALITY SYMBOLS	GENERAL TOLERANCES (UNLESS SPECIFIED)	DIMENSION STYLE	SCALE	DESIGN UNITS	FIRST ANGLE PROJECTION															
		$\nabla = 0$ $\sphericalcap = 0$	<table border="1"> <thead> <tr> <th></th> <th>mm</th> <th>INCH</th> </tr> </thead> <tbody> <tr> <td>4 PLACES</td> <td>± ---</td> <td>± ---</td> </tr> <tr> <td>3 PLACES</td> <td>± ---</td> <td>± ---</td> </tr> <tr> <td>2 PLACES</td> <td>± 0.1</td> <td>± ---</td> </tr> <tr> <td>1 PLACE</td> <td>± 0.2</td> <td>± ---</td> </tr> </tbody> </table>		mm	INCH	4 PLACES	± ---	± ---	3 PLACES	± ---	± ---	2 PLACES	± 0.1	± ---	1 PLACE	± 0.2	± ---	MM ONLY	2:1	METRIC	
			mm	INCH																		
		4 PLACES	± ---	± ---																		
		3 PLACES	± ---	± ---																		
2 PLACES	± 0.1	± ---																				
1 PLACE	± 0.2	± ---																				
	ANGULAR ± 2 °	DRAWN BY AMONTIN DATE 25/09/01 CHECKED BY SSORATO DATE 25/09/01 APPROVED BY FGOTTARD DATE 25/09/01	TITLE	1 CKT HOUSING FOR 6.3X0.8 FEMALE TERMINAL SERIES Z630																		
DRAFT WHERE APPLICABLE MUST REMAIN WITHIN DIMENSIONS	SEE TABLE	MATERIAL NO. DOCUMENT NO. SHEET NO.	MOLEX INCORPORATED SD-94090-011 1 OF 1																			

6 5 4 3 2 1