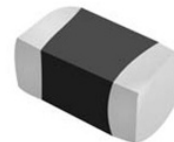


Chip NTC Thermistor



0.6 x 0.3 x 0.3 mm

ABNTC-0201

RoHS/RoHS II Compliant

MSL level: 2A(This product is packed with dry packaging)

FEATURES:

- Large B constant for high temperature sensing capability
- Designed for high density
- Available in standard EIA compatible case size
- Internal electrode designed for enhanced reliability
- Excellent aging stability

APPLICATIONS:

- For temperature measurement or sensor: Digital thermometer, measuring instruments, temperature controller
- For temperature compensation: transistor circuit, TCXO, Crystal Oscillator
- LED lighting driver, Notebook, Cell Phone, Power Supplies, Disk Drive

STANDARD SPECIFICATIONS:

Operating Temperature: -55°C ~+125°C

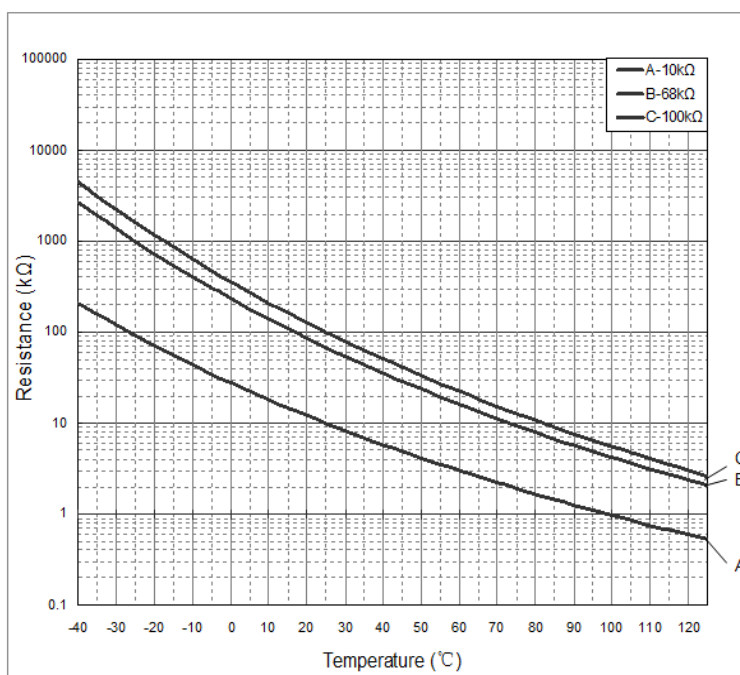
Storage Temperature: -10°C ~ +40°C and RH 75% (Max.)

Part Number	Resistance at 25°C R ₂₅ (kΩ)	B constant (25-50°C) (K)	Max. Permissive Operating Current (25°C) (mA)	Thermal Time Constant	Dissipation Factor (mW/°C)	Rated Electric Power (mW)
ABNTC-0201-103Δ-3380□	10	3380	0.31	<3sec	1.0	100
ABNTC-0201-683Δ-4150□	68	4150	0.11			
ABNTC-0201-104Δ-4150□	100	4150	0.10			

Δ: Please specify the tolerance code of R₂₅ (F=±1%, H=±3%, J=±5%, K=±10%).

□: Please specify the tolerance code of B value (F=±1%, H=±3%).

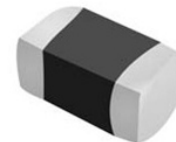
ELECTRICAL CHARACTERISTICS CURVES



Chip NTC Thermistor

ABNTC-0201

RoHS/RoHS II Compliant



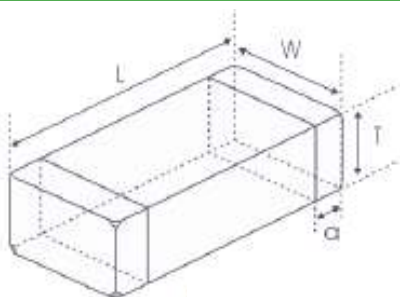
0.6 x 0.3 x 0.3 mm

OPTIONS AND PART IDENTIFICATION:

ABNTC-0201- [] [] - [] [] - []

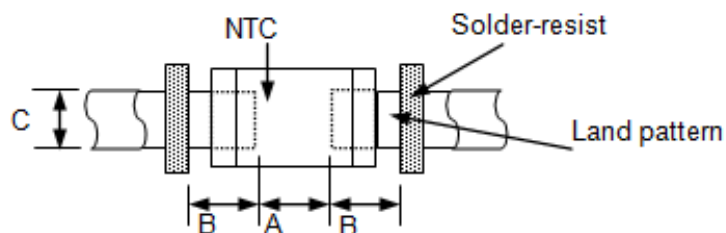
R25 Code	R 25 Tolerance	B Constant	B Tolerance	Packaging
Please refer to the table above	F=±1% H=±3% J=±5% K=±10%	Please refer to the table above	F=±1% H=±3%	T: Tape and Reel (15kpcs / reel)

OUTLINE DIMENSION:



L	W	T	a
0.6±0.05	0.3±0.05	0.3±0.05	0.15±0.05

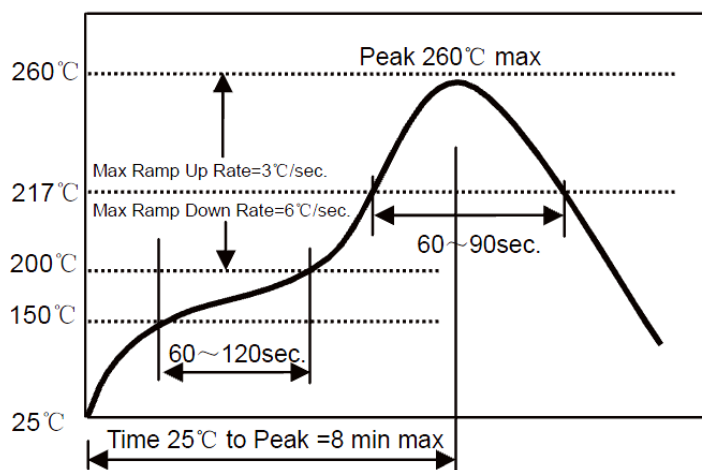
Recommended Land Pattern



A	B	C
0.20~0.30	0.20~0.30	0.30~0.35

Dimension: mm

REFLOW PROFILE:



Preheat Condition	150 to 200 °C; 60 to 120 sec.
Allowed time above 217 °C	60 to 90 sec.
Max temperature	260 °C
Max time at max temperature	10 sec.
Solder paste	Sn/3.0Ag/0.5Cu
Allowed Reflow time	2x max.

Chip NTC Thermistor

ABNTC-0201

RoHS/RoHS II Compliant

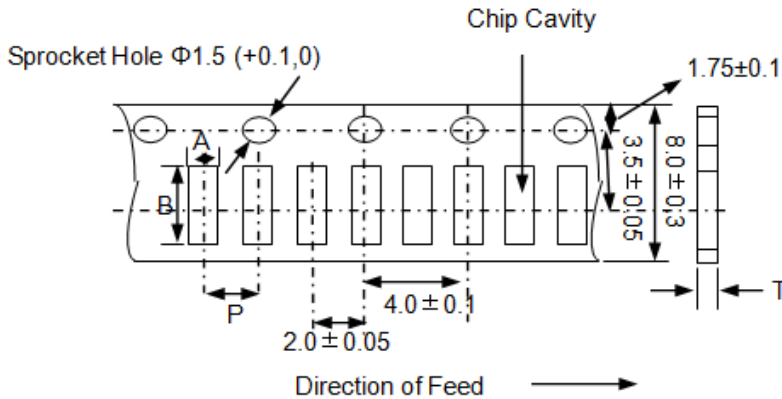


0.6 x 0.3 x 0.3 mm

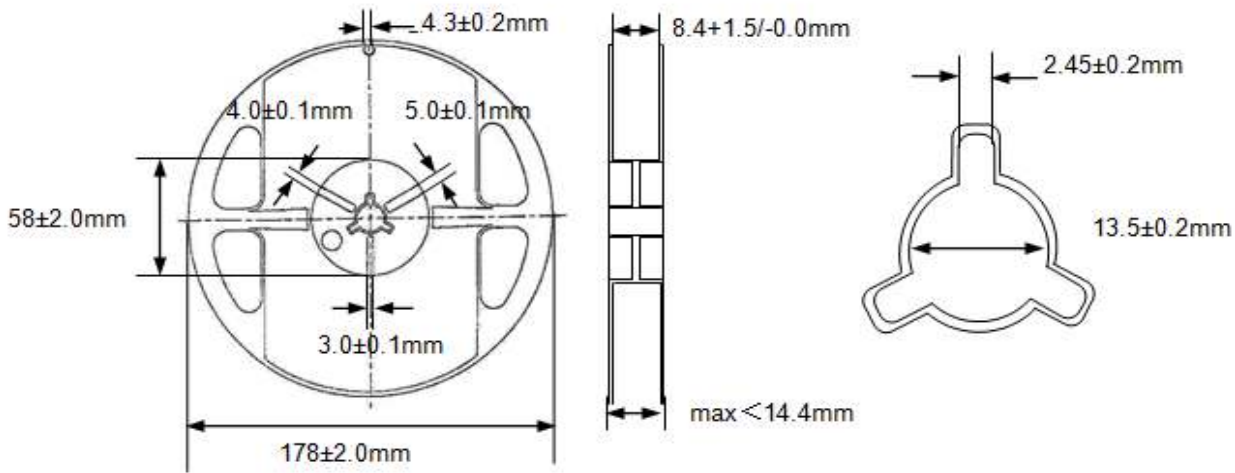
TAPE & REEL:

Packing

T: 15,000pcs / reel



A	B	P	T (max)
0.40±0.1	0.70±0.1	2.0±0.05	0.55



Dimension: mm

ATTENTION: Abracon Corporation's products are COTS – Commercial-Off-The-Shelf products; suitable for Commercial, Industrial and, where designated, Automotive Applications. Abracon's products are not specifically designed for Military, Aviation, Aerospace, Life-dependant Medical applications or any application requiring high reliability where component failure could result in loss of life and/or property. For applications requiring high reliability and/or presenting an extreme operating environment, written consent and authorization from Abracon Corporation is required. Please contact Abracon Corporation for more information.

ABRACON IS
ISO 9001:2008
CERTIFIED



Visit www.abracon.com for Terms & Conditions of Sale **Revised: 12.02.12**
30332 Esperanza, Rancho Santa Margarita, California 92688
tel 949-546-8000 | fax 949-546-8001 | www.abracon.com