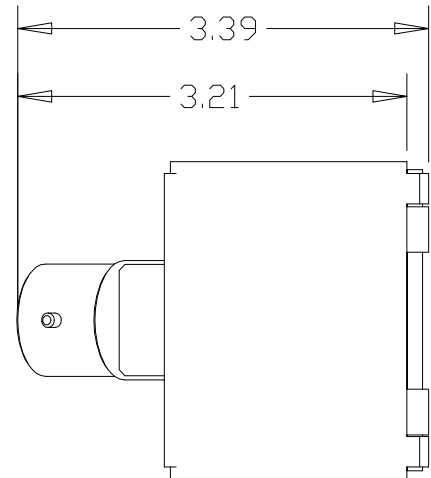
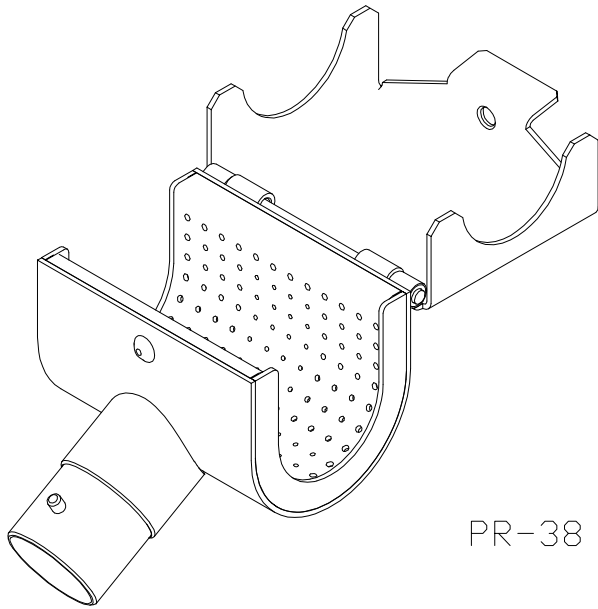
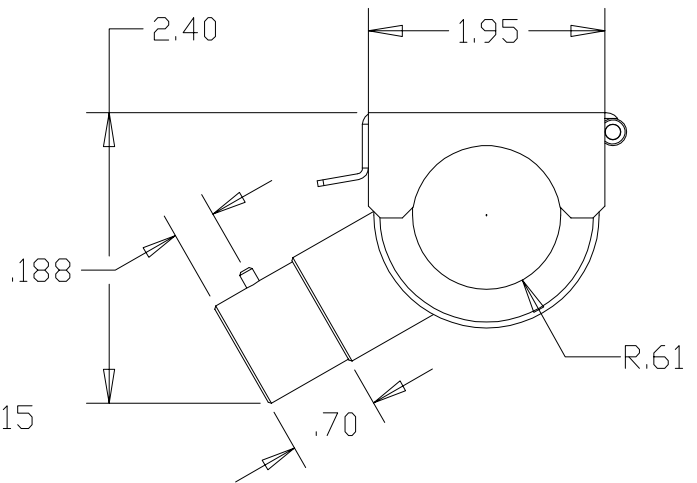
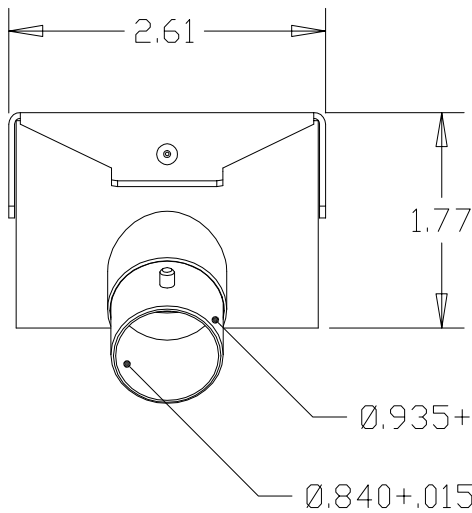


REVISION			
LTR	DESCRIPTION	DATE	APPROVED
1.0	PRELIMINARY RELEASE	11-18-2014	T.NGUYEN



PR-38 REFLECTOR




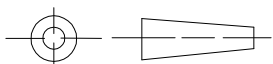
NOTES:

1. THIS STAINLESS STEEL PUSH-FIT REFLECTOR IS DESIGNED WITH AN OPEN/CLOSE DOOR TO EVENLY DISTRIBUTE THE HEAT OVER A LARGE GAUGE WIRE REPAIR SLEEVE KIT.
2. MATERIAL: 316 STAINLESS STEEL.
3. FINISH: PTFE COATING.
4. HEATING TOOL: LEISTER CV-1987 HOT JET S IS NOT INCLUDED.

TE CONNECTIVITY (LOGO) AND TE (LOGO) ARE TRADEMARKS. OTHER LOGOS PRODUCT AND/OR COMPANY NAMES MAY BE TRADEMARKS OF THEIR RESPECTIVE.

©2014 TE CONNECTIVITY LTD. FAMILY OF COMPANIES. ALL RIGHTS RESERVED

RAYCHEM APPLICATION EQUIPMENTS
CUSTOMER DRAWING

TYCO ELECTRONICS RESERVES THE RIGHT TO CHANGE THIS DRAWING AT ANYTIME. USERS SHOULD EVALUATE THE SUITABILITY OF THE PRODUCT FOR THEIR APPLICATION. UNLESS OTHERWISE SPECIFIED, DIMENSIONS ARE IN INCHES. METRIC DIMENSIONS ARE IN BRACKETS. TOLERANCES ARE: .X ± .1 [2.54 mm] .XX ± .01 [0.25 mm] .XXX ± .005 [0.13 mm] ANGLES: ± 1°	DRAWN: T. NGUYEN CHECKED: T. NGUYEN APPROVED: S. GRAVANO CAD FILE NAME: PR-38-REFLECTOR.dwg THIRD ANGLE PROJECTION	DATE: 10-08-2014 DATE: 10-08-2014 DATE: 10-10-2014	 TE CONNECTIVITY TITLE: PR-38-REFLECTOR
		SIZE: A CAGE CODE: 06090 DWG. NO. PR-38-REFLECTOR DO NOT SCALE THIS DRAWING RPN: EG2498-000 SHEET: SHEET 1 OF 1 REV. 1.0	