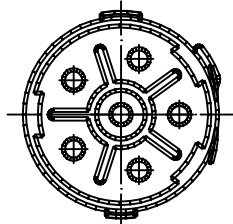
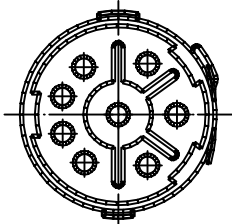


Views from "X" rotated

6-Pole
(5+1)



8-Pole

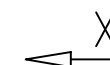
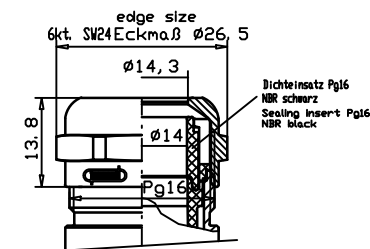
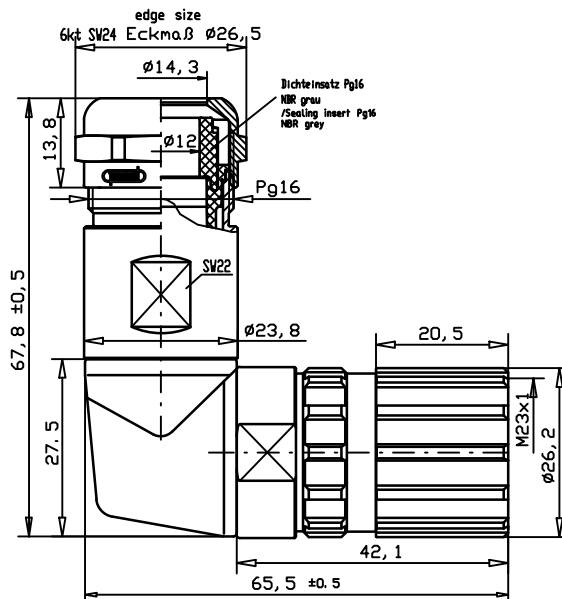


Cable Diameter

7 - 12 mm

Cable Diameter

11 - 17 mm



Cable Diameter		Crimp Contacts	Without Contacts
6 Pole (5+PE)	7 - 12mm	KAP6S01-105	KAP6S01-005
		1202330009	1202330011
	11 - 17mm	KAP6S01-109	KAP6S01-009
		1202330010	1202330012
	Crimp range*	0,75-2,5mm ²	
8 Pole	7 - 12mm	KAP8S01-115	KAP8S01-005
		1202330013	1202330015
	11 - 17mm	KAP8S01-119	KAP8S01-009
		1202330014	1202330016
	Crimp range*	0,25-1,0mm ² /0,75-2,5mm ²	

*Crimp range only applies to "Crimp Contacts" version

Notes:

Tolerances (unless specified): DIN ISO 2768 m

DESCRIPTION	QUALITY SYMBOLS	GENERAL TOLERANCES (UNLESS SPECIFIED)		DIMENSION STYLE		SCALE	DESIGN UNITS	THIRD ANGLE PROJECTION	
		mm	INCH	MM		---	METRIC	FA M23 XP FE RA	
EC NO: IPG2015-0907 DRWN: BBRALUCH 2014/11/18 CHKD: ZISMAYIL 2014/11/19 APPR: CBURGER	▽ = 0 ▽ = 0	4 PLACES	± ---	± ---	DRAWN BY	DATE	SD-120233-002		
		3 PLACES	± ---	± ---	BB	2008/11/18			
2	REV	2 PLACES	± 0.05	± ---	CHECKED BY	DATE	1 OF 1		
		1 PLACE	± 0.1	± ---	JKO	2008/12/09			
		0 PLACE	± ---	± ---	APPROVED BY	DATE	molex		
		ANGULAR	± --- °	---	---	---			
		DRAFT WHERE APPLICABLE MUST REMAIN WITHIN DIMENSIONS		SIZE	THIS DRAWING CONTAINS INFORMATION THAT IS PROPRIETARY TO MOLEX INCORPORATED AND SHOULD NOT BE USED WITHOUT WRITTEN PERMISSION				
				A3					