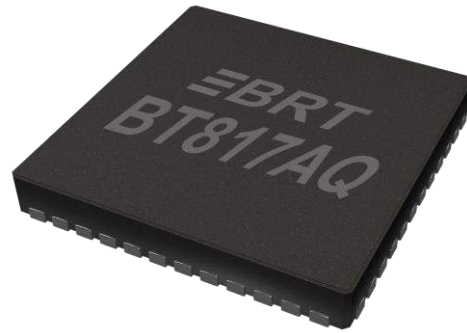


Bridgetek Pte Ltd

BT817A Automotive Advanced Video Engine Datasheet



The BT817A is Bridgetek's 4th generation embedded video engine chip (EVE4) targeted at automotive applications to generate high-quality Human Machine Interfaces (HMIs). BT817A has the following features:

- Qualified for Automotive Applications
- Advanced Embedded Video Engine (EVE) with high resolution graphics and video playback
- Graphic control, audio control, and touch control interface
- Supports multiple widgets for simplified design implementation
- Built-in graphics operations allow users with little expertise to create high-quality displays
- Supports Adaptive Scalable Texture Compression (ASTC) format to save considerable memory space for larger fonts and graphics images
- Supports external QSPI NOR flash up to 2Gbit to store and fetch graphic elements (image, font, widget etc.)
- Supports capacitive touch screen with up to 5 touch point detection
- Hardware engine can recognize touch tags and track touch movement. Provides notification for up to 255 touch tags
- Enhanced sketch processing
- Built-in 12MHz crystal oscillator with PLL providing programmable system clock up to 72MHz
- Video RGB parallel output; configurable to support PCLK up to 96MHz with separate PLL(PLL2), and R/G/B output of 1 to 8 bits (including RGB565, RGB666 and RGB888)
- Programmable timing to adjust HSYNC and VSYNC timing, enabling interfacing to numerous displays
- Support for LCD displays with up to 1 Mega pixel in total, and up to 2048 pixels per line
- Supported LCD resolutions: 1920x480, 1440x540, 1280x800, 1024x600, 800x600, 800x480, 480x272, 320x240 and many others
- Supports landscape and portrait orientations
- High-quality cubic filter to output pixels to correct for panels with non-square pixels
- Adaptive framerate and Adaptive HSYNC modes
- Integrated 1MByte graphics RAM, no frame buffer RAM required
- Supports playback of motion-JPEG encoded AVI videos
- Mono audio channel output with Sigma-delta modulation
- Built-in sound synthesizer
- PWM output for display backlight dimming control
- Advanced object-oriented architecture enables low cost MPU/MCU as system host using SPI interfaces
- Supports SPI data lines in single, dual, or quad mode; SPI clock up to 30MHz
- Power mode control allows the chip to be put in power down, sleep, and standby states
- Supports I/O voltage from 1.8V to 3.3V (5V tolerant)
- Built-in Power-on-reset circuit
- AEC-Q100 Qualified with Device Temperature Grade 2: -40°C to 105°C
- Available in a compact Pb-free, VQFN-64 package, RoHS compliant

Neither the whole nor any part of the information contained in, or the product described in this manual, may be adapted, or reproduced in any material or electronic form without the prior written consent of the copyright holder. This product and its documentation are supplied on an as-is basis and no warranty as to their suitability for any particular purpose is either made or implied. Bridgetek Pte Ltd will not accept any claim for damages howsoever arising as a result of use or failure of this product. Your statutory rights are not affected. This product or any variant of it is not intended for use in any medical appliance, device, or system in which the failure of the product might reasonably be expected to result in personal injury. This document provides preliminary information that may be subject to change without notice. No freedom to use patents or other intellectual property rights is implied by the publication of this document. Bridgetek Pte Ltd, 178 Paya Lebar Road, #07-03, Singapore 409030. Singapore Registered Company Number: 201542387H

1 Typical Applications

- vehicle instrument dashboard
- automotive smart display
- E-vehicle charging station

1.1 Part Numbers

Part Number	Description	Package
BT817AQ-x	EVE4 with ASTC and external NOR flash, capacitive touch, automotive grade	64 Pin VQFN, body 9 x 9 mm, pitch 0.5mm

Table 1- BT817A Embedded Video Engine Part Numbers

Note: Packaging codes for x is:

-R: Taped and Reel (2600 pcs per reel)

-T: Tray packing (260 pcs per tray)

For example: BT817AQ-R is 2600 VQFN pieces in taped and reel packaging

2 Block Diagram

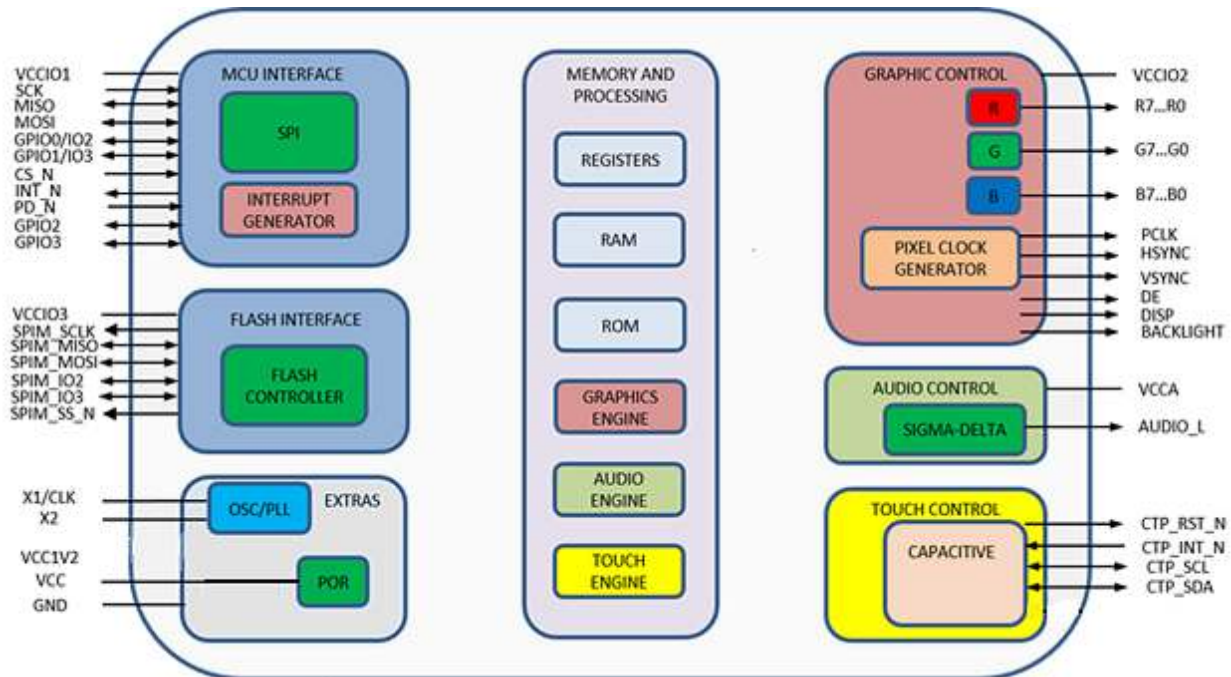


Figure 2-1 BT817A Block Diagram

For a description of each function please refer to Section 4.

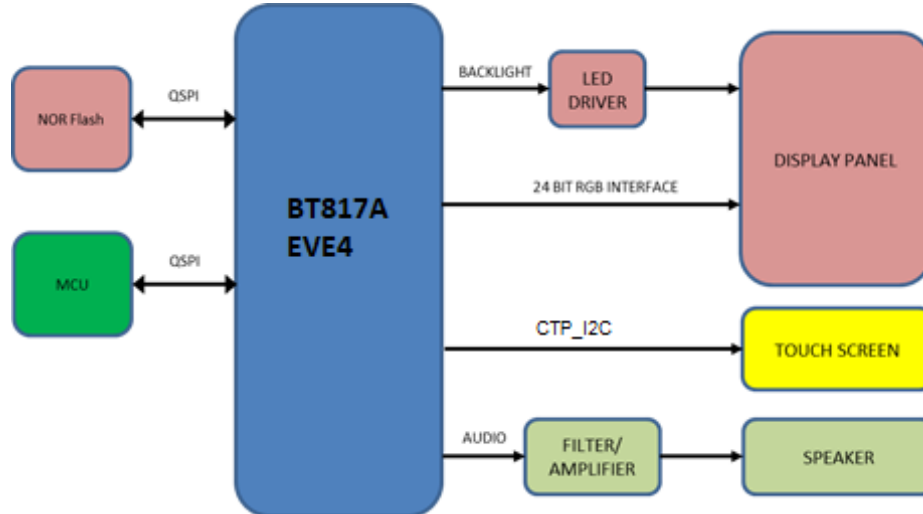


Figure 2-2 BT817A System Design Diagram

BT817A with EVE (Embedded Video Engine) technology simplifies the system architecture for advanced human machine interfaces (HMIs) by providing support for display, audio, and touch as well as an object oriented architecture approach that extends from display creation to the rendering of the graphics.

Table of Contents

1	Typical Applications.....	2
1.1	Part Numbers.....	2
2	Block Diagram	3
3	Device Pin Out and Signal Description.....	7
3.1	BT817 VQFN-64 Package Pin Out.....	7
3.2	Pin Description	7
4	Functional Description.....	11
4.1	Quad SPI Host Interface	11
4.1.1	QSPI Interface	11
4.1.2	Serial Data Protocol.....	13
4.1.3	Host Memory Read	13
4.1.4	Host Memory Write.....	14
4.1.5	Host Command	14
4.1.6	Interrupts	17
4.2	System Clock	18
4.2.1	Clock Source	18
4.2.2	Phase Locked Loop.....	18
4.2.3	Clock Enable.....	18
4.2.4	Clock Frequency.....	19
4.3	Graphics Engine	19
4.3.1	Introduction	19
4.3.2	ASTC.....	19
4.3.3	ROM and RAM Fonts	20
4.4	SPI NOR Flash Interface	23
4.5	Parallel RGB Interface	24
4.6	Miscellaneous Control	28
4.6.1	Backlight Control Pin	28
4.6.2	DISP Control Pin	28
4.6.3	General Purpose IO pins	28
4.6.4	Pins Drive Current Control.....	28
4.7	Audio Engine.....	29
4.7.1	Sound Synthesizer	29
4.7.2	Audio Playback	31
4.8	Touch-Screen Engine	32

4.8.1	Capacitive Touch Control.....	32
4.8.2	Compatibility Mode.....	33
4.8.3	Extended Mode	33
4.8.4	Capacitive Touch Configuration	33
4.8.5	Host Driven Multi-Touch.....	34
4.8.6	Touch Detection in none-ACTIVE State	35
4.9	Power Management	35
4.9.1	Power Supply	35
4.9.2	Power-On-Reset(POR)	36
4.9.3	Power Modes	36
4.9.4	Reset and Boot-up Sequence	37
4.9.5	Pin Status at Different Power States	38
5	Memory Map.....	39
5.1	Registers.....	39
5.2	Chip ID.....	43
6	Devices Characteristics and Ratings	44
6.1	Absolute Maximum Ratings.....	44
6.2	ESD and Latch-up Specifications	44
6.3	DC Characteristics.....	44
6.4	AC Characteristics.....	46
6.4.1	System Clock and Reset.....	46
6.4.2	SPI Interface Timing.....	46
6.4.3	RGB Interface Timing	47
7	Application Examples	48
8	Package Parameters.....	50
8.1	Part Markings	50
8.1.1	Top Side	50
8.1.2	Bottom Side	50
8.2	VQFN-64 Package Dimensions	51
8.3	Solder Reflow Profile	52
9	Contact Information	53
Appendix A – References		54
Document References		54
Acronyms and Abbreviations.....		54
Appendix B - List of Figures and Tables		56

List of Figures	56
List of Tables.....	56
Appendix C - Revision History	58

3 Device Pin Out and Signal Description

3.1 BT817 VQFN-64 Package Pin Out

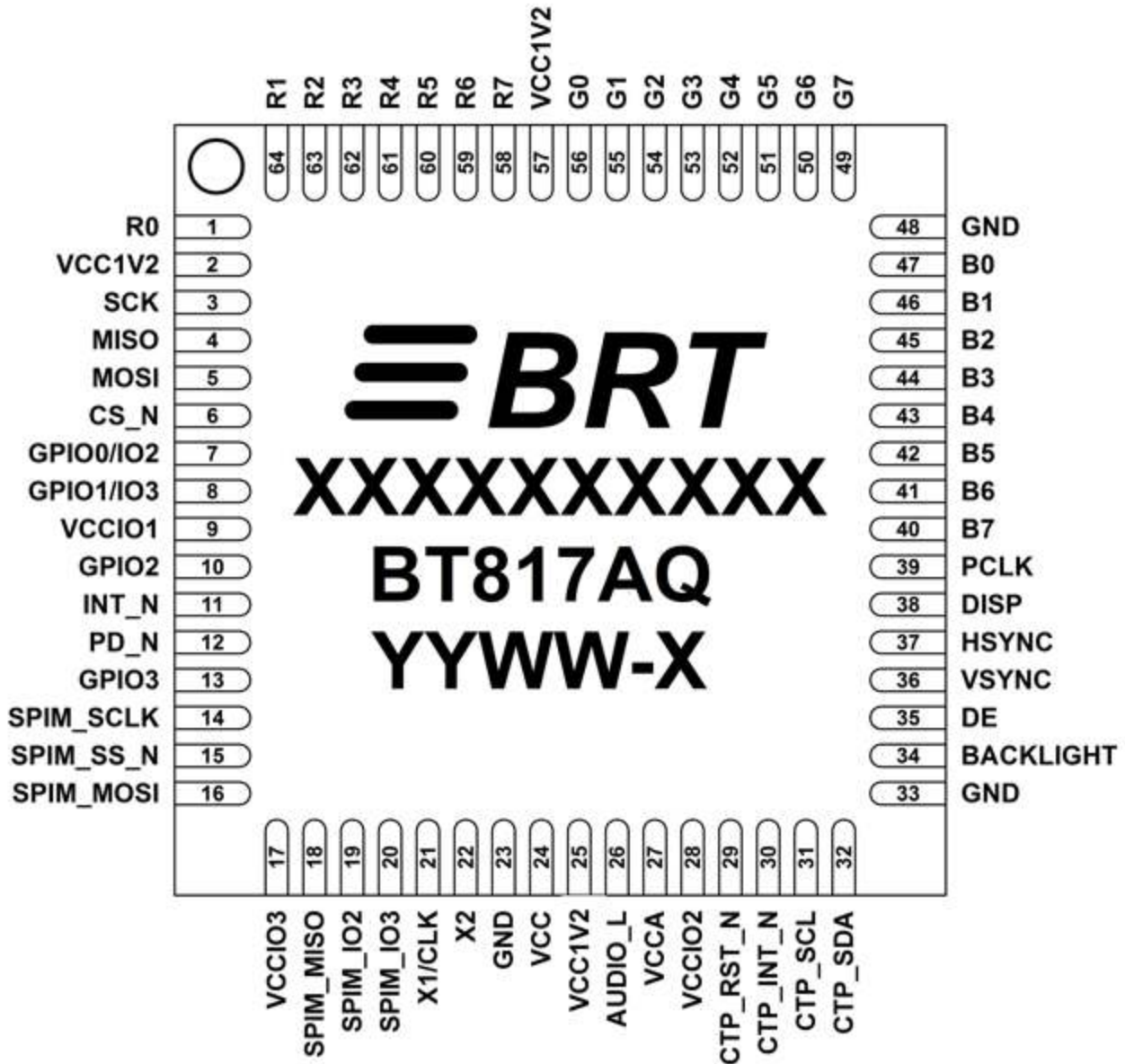


Figure 3-1 Pin Configuration BT817A VQFN-64(Top View)

3.2 Pin Description

Pin Number	Pin Name	Type	Description
1	R0	O	Bit 0 of Red RGB signals Powered from pin VCCIO2
2	VCC1V2	P	Digital core power supply input.
3	SCK	I	SPI clock input Powered from pin VCCIO1
4	MISO	I/O	SPI Single mode: SPI MISO output SPI Dual/Quad mode: SPI data line 1 Powered from pin VCCIO1
5	MOSI	I/O	SPI Single mode: SPI MOSI input

Pin Number	Pin Name	Type	Description
			SPI Dual/Quad mode: SPI data line 0 Powered from pin VCCIO1
6	CS_N	I	SPI slave select input Powered from pin VCCIO1
7	GPIO0/IO2	I/O	SPI Single/Dual mode: General purpose IO 0 SPI Quad mode: SPI data line 2 Powered from pin VCCIO1
8	GPIO1/IO3	I/O	SPI Single/Dual mode: General purpose IO 1 SPI Quad mode: SPI data line 3 Powered from pin VCCIO1
9	VCCIO1	P	I/O power supply for host interface pins. Support 1.8V, 2.5V or 3.3V.
10	GPIO2	I/O	General purpose IO 2 Powered from pin VCCIO1
11	INT_N	OD/O	Interrupt to host, open drain output (default) or push-pull output, active low
12	PD_N	I	Chip power down mode control input, active low. Connect to MCU GPIO for power management or hardware reset function or pulled up to VCCIO1 if not used. Powered from pin VCCIO1
13	GPIO3	I/O	General purpose IO 3 Powered from pin VCCIO1
14	SPIM_SCLK	O	SPI flash clock output line. Leave floating if not used. Powered from pin VCCIO3
15	SPIM_SS_N	O	SPI flash chip select output line. Leave floating if not used. Powered from pin VCCIO3
16	SPIM_MOSI	I/O	SPI flash MOSI line. Leave floating if not used. Powered from pin VCCIO3
17	VCCIO3	P	I/O power supply for SPIM pins. Support 1.8V, 2.5V or 3.3V. VCCIO3 can be connected to different voltage from VCCIO1 or VCCIO2.
18	SPIM_MISO	I/O	SPI flash MISO line. Connect to GND if not used. Powered from pin VCCIO3
19	SPIM_IO2	I/O	SPI flash IO2 line. Leave floating if not used. Powered from pin VCCIO3
20	SPIM_IO3	I/O	SPI flash IO3 line. Leave floating if not used. Powered from pin VCCIO3
21	X1/CLK	I	Crystal oscillator input 3.3V peak input allowed. Powered from pin VCC.
22	X2	O	Crystal oscillator output Powered from pin VCC.
23	GND	P	Ground
24	VCC	P	3.3V power supply input.
25	VCC1V2	P	Digital core power supply input.
26	AUDIO_L	O	Audio Sigma-delta output Powered from pin VCCA
27	VCCA	P	3.3V power supply input.
28	VCCIO2	P	I/O power supply for RGB and touch pins. Supports 1.8V, 2.5V or 3.3V. VCCIO2 can be connected to different voltage from VCCIO1 or VCCIO3.
29	CTP_RST_N	O	Connect to reset pin of the CTPM. Powered from pin VCCIO2.

Pin Number	Pin Name	Type	Description
30	CTP_INT_N	I/O	Connect to interrupt pin of the CTPM. Powered from pin VCCIO2.
31	CTP_SCL	I/OD	Connect to I2C SCL pin of the CTPM. Powered from pin VCCIO2.
32	CTP_SDA	I/OD	Connect to I2C SDA pin of the CTPM. Powered from pin VCCIO2.
33	GND	P	Ground
34	BACKLIGHT	O	LED Backlight brightness PWM control signal. Powered from pin VCCIO2.
35	DE	O	LCD Data Enable. Powered from pin VCCIO2.
36	VSYNC	O	LCD Vertical Sync. Powered from pin VCCIO2.
37	HSYNC	O	LCD Horizontal Sync. Powered from pin VCCIO2.
38	DISP	O	LCD Display Enable. Powered from pin VCCIO2.
39	PCLK	O	LCD Pixel Clock. Powered from pin VCCIO2.
40	B7	O	Bit 7 of Blue RGB signals. Powered from pin VCCIO2.
41	B6	O	Bit 6 of Blue RGB signals. Powered from pin VCCIO2.
42	B5	O	Bit 5 of Blue RGB signals. Powered from pin VCCIO2.
43	B4	O	Bit 4 of Blue RGB signals. Powered from pin VCCIO2.
44	B3	O	Bit 3 of Blue RGB signals. Powered from pin VCCIO2.
45	B2	O	Bit 2 of Blue RGB signals. Powered from pin VCCIO2.
46	B1	O	Bit 1 of Blue RGB signals. Powered from pin VCCIO2.
47	B0	O	Bit 0 of Blue RGB signals. Powered from pin VCCIO2.
48	GND	P	Ground
49	G7	O	Bit 7 of Green RGB signals. Powered from pin VCCIO2.
50	G6	O	Bit 6 of Green RGB signals. Powered from pin VCCIO2.
51	G5	O	Bit 5 of Green RGB signals. Powered from pin VCCIO2.
52	G4	O	Bit 4 of Green RGB signals. Powered from pin VCCIO2.
53	G3	O	Bit 3 of Green RGB signals. Powered from pin VCCIO2.
54	G2	O	Bit 2 of Green RGB signals. Powered from pin VCCIO2.
55	G1	O	Bit 1 of Green RGB signals. Powered from pin VCCIO2.
56	G0	O	Bit 0 of Green RGB signals. Powered from pin VCCIO2.
57	VCC1V2	P	Digital core power supply input.
58	R7	O	Bit 7 of Red RGB signals. Powered from pin VCCIO2.
59	R6	O	Bit 6 of Red RGB signals. Powered from pin VCCIO2.
60	R5	O	Bit 5 of Red RGB signals.

Pin Number	Pin Name	Type	Description
			Powered from pin VCCIO2.
61	R4	O	Bit 4 of Red RGB signals. Powered from pin VCCIO2.
62	R3	O	Bit 3 of Red RGB signals. Powered from pin VCCIO2.
63	R2	O	Bit 2 of Red RGB signals. Powered from pin VCCIO2.
64	R1	O	Bit 1 of Red RGB signals Powered from pin VCCIO2
EP	GND	P	Ground. Exposed thermal pad. Connect to ground plane on PCB.

Table 3-1 BT817A Pin Description
Note:

P : Power or ground
 I : Input
 O : Output
 OD : Open drain output
 I/O : Bi-direction Input and Output
 AI/O: Analog Input and Output

4 Functional Description

The BT817A is a single chip embedded video controller with the following functional blocks:

- Quad SPI Host Interface
- Quad SPI Flash Interface
- System Clock
- Graphics Engine
- Parallel RGB video interface
- Audio Engine
- Touch-screen support and interface
- Power Management

The functions for each block are briefly described in the following subsections.

4.1 Quad SPI Host Interface

The BT817A uses a quad serial peripheral interface (QSPI) to communicate with host microcontrollers and microprocessors.

4.1.1 QSPI Interface

The QSPI slave interface operates up to 30MHz. Only SPI mode 0 is supported. Refer to section 6.4.2 for detailed timing specification. The QSPI can be configured as a SPI slave in SINGLE, DUAL or QUAD channel modes.

By default, the SPI slave operates in the SINGLE channel mode with MOSI as input from the master and MISO as output to the master. DUAL and QUAD channel modes can be configured through the SPI slave itself. To change the channel modes, write to register REG_SPI_WIDTH. The table below depicts the setting.

REG_SPI_WIDTH [1:0]	Channel Mode	Data pins	Max bus speed
00	SINGLE – default mode	MISO, MOSI	30 MHz
01	DUAL	MOSI, MISO	30 MHz (not exceeding system clock frequency)
10	QUAD	MOSI, MISO, IO2, IO3	30 MHz (not exceeding half of the system clock frequency)
11	Reserved	-	-

Table 4-1 QSPI Channel Selection

With DUAL/QUAD channel modes, the SPI data ports are now unidirectional. In these modes, each SPI transaction (signified by CS_N going active low) will begin with the data ports set as inputs. Hence, for writing to the BT817A, the protocol will operate as in previous EVE revisions such as the FT800, with "WR-Command/Addr2, Addr1, Addr0, DataX, DataY, DataZ ...". The write operation is considered complete when CS_N goes inactive high. For reading from the BT817A, the protocol will still operate as in FT800, with "RD-Command/Addr2, Addr1, Addr0, Dummy-Byte, DataX, DataY, DataZ". However, as the data ports are now unidirectional, a change of port direction will occur before DataX is clocked out of the BT817A. Therefore, it is important that the firmware controlling the SPI master changes the SPI master data port direction to "input" after transmitting Addr0. The BT817A will not change the port direction till it starts to clock out DataX. Hence, the Dummy-Byte cycles will be used as a change-over period when neither the SPI master nor slave will be driving the bus; the data paths thus must have pull-ups/pull-downs. The SPI slave from the BT817A will reset all its data ports' direction to input once CS_N goes inactive high (i.e., at the end of the current SPI master transaction).

Figure 4-1 depicts the behaviour of both the SPI master and slave in the master read case.

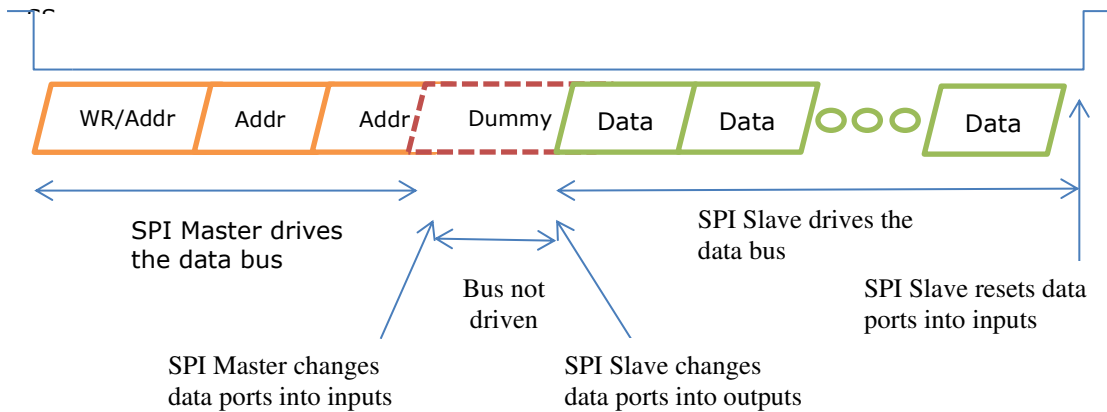


Figure 4-1 SPI Master and Slave in the Master Read Case

In the DUAL channel mode, MISO (MSB) and MOSI are used while in the QUAD channel mode. IO3 (MSB), IO2, MISO and MOSI are used.

Figure 4-2 illustrates a direct connection to a 1.8-3.3V IO MPU/MCU with single or dual SPI interface.

Figure 4-3 illustrates a direct connection to a 1.8-3.3V IO MPU/MCU with Quad SPI interface.

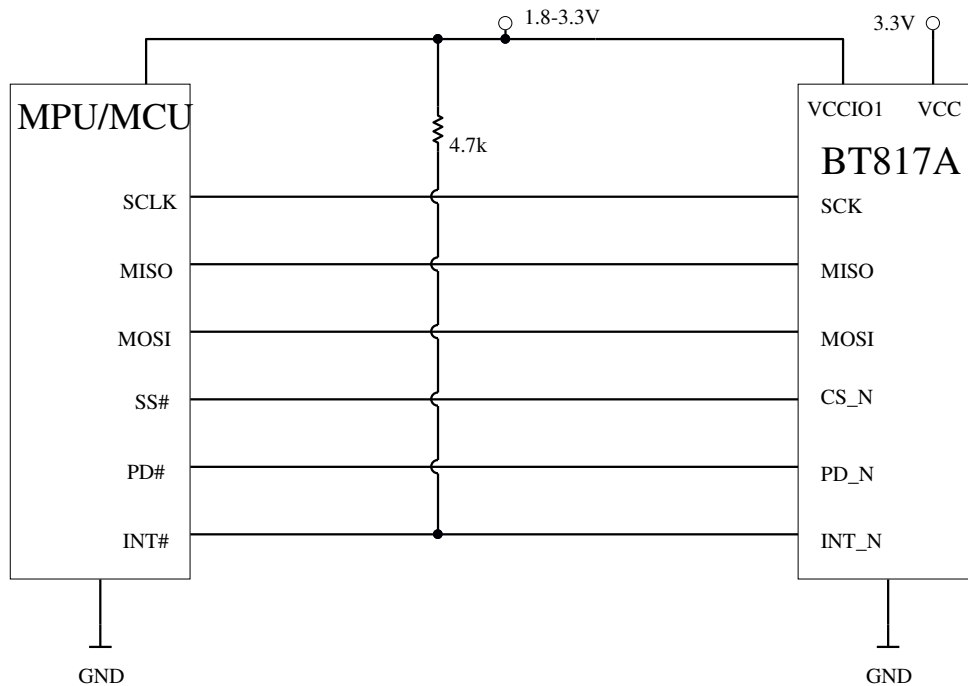


Figure 4-2 Single/Dual SPI Interface connection

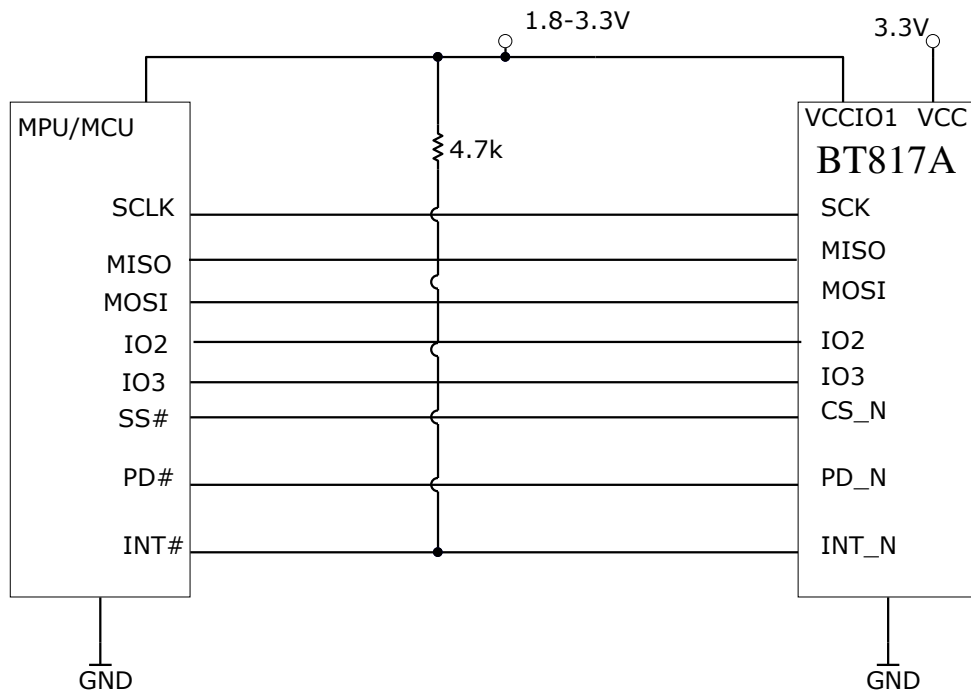


Figure 4-3 Quad SPI Interface connection

4.1.2 Serial Data Protocol

The BT817A appears to the host MPU/MCU as a memory-mapped SPI device. The host communicates with the BT817A using reads and writes to a large (4 megabyte) address space. Within this address space are dedicated areas for graphics, audio, and touch control. Refer to section 5 for the detailed memory map. The host reads and writes the BT817A address space using SPI transactions. These transactions are memory read, memory write, and command write. Serial data is sent by the most significant bit first. Each transaction starts with CS_N goes low and ends when CS_N goes high. There is no limit on data length within one transaction, as long as the memory address is continuous.

4.1.3 Host Memory Read

For SPI memory read transactions, the host sends two zero bits, followed by the 22-bit address. This is followed by a dummy byte. After the dummy byte, the BT817A responds to each host byte with read data bytes.

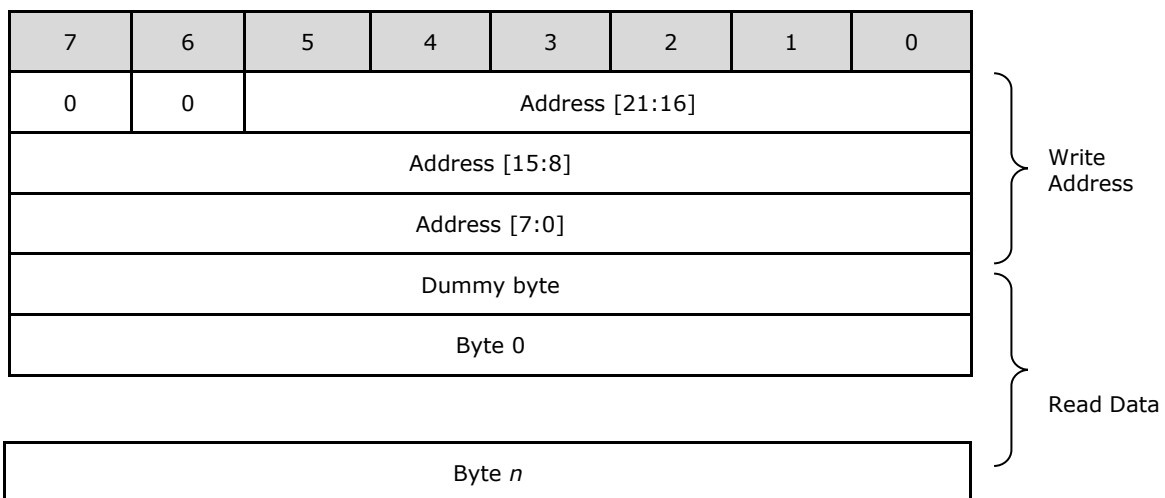


Table 4-2 Host Memory Read Transaction

4.1.4 Host Memory Write

For SPI memory write transactions, the host sends a '1' bit and '0' bit, followed by the 22-bit address. This is followed by the write data.

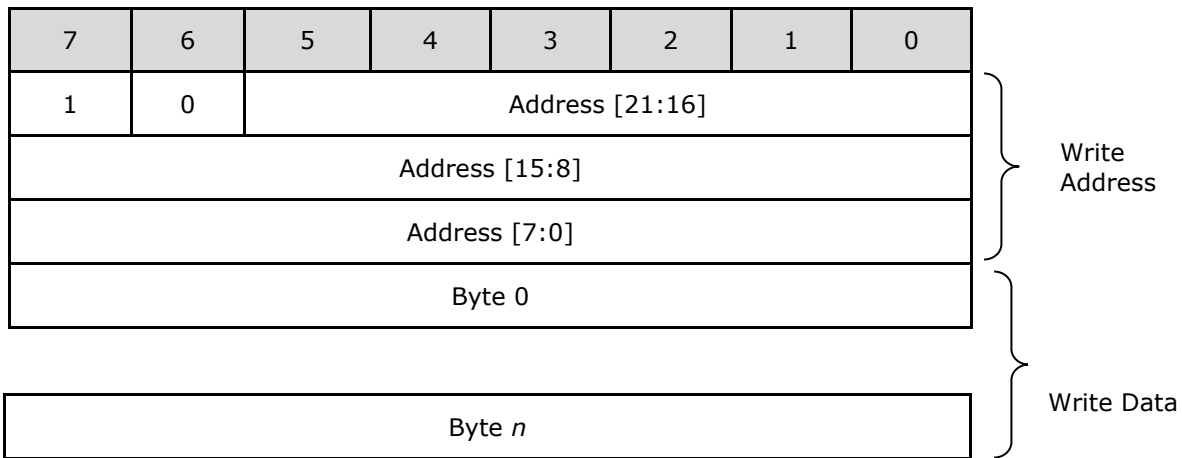


Table 4-3 Host Memory Write Transaction

4.1.5 Host Command

When sending a command, the host transmits a 3-byte command. Table 4-5 lists all the host command functions.

For SPI command transactions, the host sends a '0' bit and '1' bit, followed by the 6-bit command code. The 2nd byte can be either 00h, or the parameter of that command. The 3rd byte is fixed at 00h.

All SPI commands except the system reset can only be executed when the SPI is in the Single channel mode. They will be ignored when the SPI is in either Dual or Quad channel mode.

Some commands are used to configure the device and these configurations will be reset upon receiving the SPI PWRDOWN command, except those that configure the pin state during power down. These commands will be sticky unless reconfigured or power-on-reset (POR) occurs.

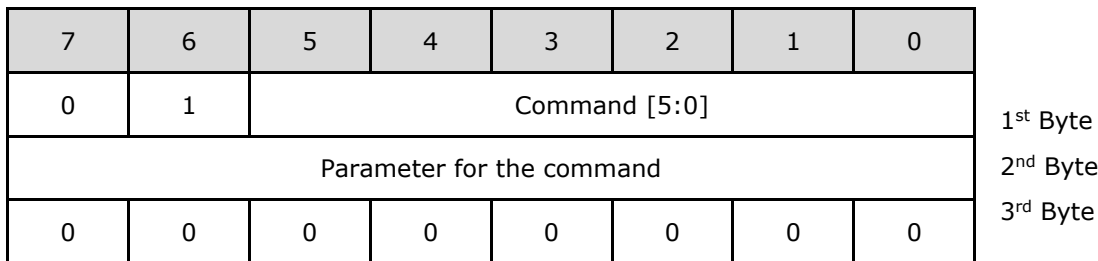


Table 4-4 Host Command Transaction

1st Byte	2nd byte	3rd byte	Command	Description
Power Modes				
00000000b	00000000b	00000000b	00h ACTIVE	Switch from Standby/Sleep/PWRDOWN modes to active mode. Dummy memory read from address 0(read twice) generates ACTIVE command.
01000001b	00000000b	00000000b	41h STANDBY	Put BT817A core to standby mode. Clock gate off, PLL and Oscillator remain on. ACTIVE command to wake up.
01000010b	00000000b	00000000b	42h SLEEP	Put BT817A core to sleep mode. Clock gate off, PLL and Oscillator off. ACTIVE command to wake up.

1st Byte	2nd byte	3rd byte	Command	Description														
01000011b 01010000b	00000000b	00000000b	43h/50h PWRDOWN	Switch off power supply to the digital core circuits. Clock, PLL and Oscillator off. SPI is alive. ACTIVE command to wake up.														
Clock and Reset																		
01000100b	00000000b	00000000b	44h CLKEXT	Select PLL input from external crystal oscillator. No effect if external clock is already selected, otherwise a system reset will be generated														
01100001b 01100010b	Xx	00000000b	61h/62h CLKSEL	<p>Select the system clock frequency. Note that software shall also update the register value for REG_FREQUENCY to align with system clock selected. This command will only be effective when the PLL is stopped (SLEEP mode). For compatibility to FT800/FT801, set Byte2 to 0x00. This will set the PLL clock back to default (60 MHz).</p> <table border="1"> <tr> <td>Byte2 [5:0]</td> <td>sets the clock frequency</td> </tr> <tr> <td>0</td> <td>Set to default clock speed</td> </tr> <tr> <td>1</td> <td>Reserved</td> </tr> <tr> <td>2 to 6</td> <td>2 to 6 times the osc frequency (i.e., 24 to 72MHz with 12MHz oscillator)</td> </tr> <tr> <td>Byte2 [7:6]</td> <td>sets the PLL range</td> </tr> <tr> <td>0</td> <td>When Byte2[5:0] = 0, 2, 3</td> </tr> <tr> <td>1</td> <td>When Byte2[5:0] = 4, 5, 6</td> </tr> </table>	Byte2 [5:0]	sets the clock frequency	0	Set to default clock speed	1	Reserved	2 to 6	2 to 6 times the osc frequency (i.e., 24 to 72MHz with 12MHz oscillator)	Byte2 [7:6]	sets the PLL range	0	When Byte2[5:0] = 0, 2, 3	1	When Byte2[5:0] = 4, 5, 6
Byte2 [5:0]	sets the clock frequency																	
0	Set to default clock speed																	
1	Reserved																	
2 to 6	2 to 6 times the osc frequency (i.e., 24 to 72MHz with 12MHz oscillator)																	
Byte2 [7:6]	sets the PLL range																	
0	When Byte2[5:0] = 0, 2, 3																	
1	When Byte2[5:0] = 4, 5, 6																	
01101000b	00000000b	00000000b	68h RST_PULSE	Send reset pulse to BT817A core. The behaviour is the same as POR except those settings done through SPI commands will not be affected														
Configuration																		
01110000b	xx	00000000b	70h PINDRIVE	<p>This will set the drive strength for various pins. For FT800/FT801 compatibility, by default those settings are from the GPIO registers. BT817A supports setting the drive strength via SPI command instead.</p> <p>When PINDRIVE for a pin from the SPI command is not updated, the drive strength will be determined by its corresponding GPIO register bits if they exist. If they do not exist, a hard coded setting is used. Please refer to Table 4-22 for default values.</p> <p>When PINDRIVE for a pin from the SPI command is updated, it will override the corresponding setting in the GPIO register bits.</p> <p>Byte2 determines which pin and which</p>														

1st Byte	2nd byte	3rd byte	Command	Description																																																											
				<p>setting are to be updated. Byte2[1:0] determine the drive strength. Refer to Table 6-4 for pin group and drive strength currents.</p> <table border="1"> <thead> <tr> <th>Byte2[1:0]</th> <th colspan="2">Drive Strength Degree</th> </tr> </thead> <tbody> <tr> <td>0h</td> <td>DSD1</td> <td>Low</td> </tr> <tr> <td>1h</td> <td>DSD2</td> <td>Medium</td> </tr> <tr> <td>2h</td> <td>DSD3</td> <td>High</td> </tr> <tr> <td>3h</td> <td>DSD4</td> <td>Maximum</td> </tr> </tbody> </table> <p>Byte2[7:2] determine which pin/pin group to set:</p> <table border="1"> <thead> <tr> <th>Byte2 [7:2]</th> <th>Pin / Pin Group</th> </tr> </thead> <tbody> <tr><td>00h</td><td>GPIO 0</td></tr> <tr><td>01h</td><td>GPIO 1</td></tr> <tr><td>02h</td><td>GPIO 2</td></tr> <tr><td>03h</td><td>GPIO 3</td></tr> <tr><td>04-07h</td><td>Reserved</td></tr> <tr><td>08h</td><td>DISP</td></tr> <tr><td>09h</td><td>DE</td></tr> <tr><td>0Ah</td><td>VSYNC / HSYNC</td></tr> <tr><td>0Bh</td><td>PCLK</td></tr> <tr><td>0Ch</td><td>BACKLIGHT</td></tr> <tr><td>0Dh</td><td>R[7:0], G[7:0], B[7:0]</td></tr> <tr><td>0Eh</td><td>AUDIO_L</td></tr> <tr><td>0Fh</td><td>INT_N</td></tr> <tr><td>10h</td><td>CTP_RST_N</td></tr> <tr><td>11h</td><td>CTP_SCL</td></tr> <tr><td>12h</td><td>CTP_SDA</td></tr> <tr><td>13h</td><td>SPI MISO/MOSI/IO2/IO3</td></tr> <tr><td>14h</td><td>SPIM_SCLK</td></tr> <tr><td>15h</td><td>SPIM_SS_N</td></tr> <tr><td>16h</td><td>SPIM_MISO</td></tr> <tr><td>17h</td><td>SPIM_MOSI</td></tr> </tbody> </table>	Byte2[1:0]	Drive Strength Degree		0h	DSD1	Low	1h	DSD2	Medium	2h	DSD3	High	3h	DSD4	Maximum	Byte2 [7:2]	Pin / Pin Group	00h	GPIO 0	01h	GPIO 1	02h	GPIO 2	03h	GPIO 3	04-07h	Reserved	08h	DISP	09h	DE	0Ah	VSYNC / HSYNC	0Bh	PCLK	0Ch	BACKLIGHT	0Dh	R[7:0], G[7:0], B[7:0]	0Eh	AUDIO_L	0Fh	INT_N	10h	CTP_RST_N	11h	CTP_SCL	12h	CTP_SDA	13h	SPI MISO/MOSI/IO2/IO3	14h	SPIM_SCLK	15h	SPIM_SS_N	16h	SPIM_MISO	17h	SPIM_MOSI
Byte2[1:0]	Drive Strength Degree																																																														
0h	DSD1	Low																																																													
1h	DSD2	Medium																																																													
2h	DSD3	High																																																													
3h	DSD4	Maximum																																																													
Byte2 [7:2]	Pin / Pin Group																																																														
00h	GPIO 0																																																														
01h	GPIO 1																																																														
02h	GPIO 2																																																														
03h	GPIO 3																																																														
04-07h	Reserved																																																														
08h	DISP																																																														
09h	DE																																																														
0Ah	VSYNC / HSYNC																																																														
0Bh	PCLK																																																														
0Ch	BACKLIGHT																																																														
0Dh	R[7:0], G[7:0], B[7:0]																																																														
0Eh	AUDIO_L																																																														
0Fh	INT_N																																																														
10h	CTP_RST_N																																																														
11h	CTP_SCL																																																														
12h	CTP_SDA																																																														
13h	SPI MISO/MOSI/IO2/IO3																																																														
14h	SPIM_SCLK																																																														
15h	SPIM_SS_N																																																														
16h	SPIM_MISO																																																														
17h	SPIM_MOSI																																																														

1st Byte	2nd byte	3rd byte	Command	Description										
				<table border="1"> <tr> <td>18h</td> <td>SPIM_IO2</td> </tr> <tr> <td>19h</td> <td>SPIM_IO3</td> </tr> <tr> <td>Others</td> <td>Reserved</td> </tr> </table> <p>Note: GPIO0 shares the same pin as SPI IO2 and GPIO1 with SPI IO3. When SPI is set in Quad mode, IO2 and IO3 will inherit the drive strength set in GROUP 13h; otherwise GPIO0 and GPIO1 will inherit the drive strength from GROUP 00h and 01h respectively.</p>	18h	SPIM_IO2	19h	SPIM_IO3	Others	Reserved				
18h	SPIM_IO2													
19h	SPIM_IO3													
Others	Reserved													
01110001b	Xx	00000000b	71h PIN_PD_STATE	<p>During power down, I/O pins will have different state as compared to normal operating mode. Please refer to Table 4-22 for their default power down state. These settings will only be effective during power down and will not affect normal operations. Also note that these configuration bits are sticky and, unlike other configuration bits, will not reset to default values upon exiting power down. Only POR will reset them.</p> <p>Byte2 determines which pin, and the setting are to be updated. Byte2[1:0] determine the pin state.</p> <table border="1"> <tr> <td>Byte2 [1:0]</td> <td>Pin Setting</td> </tr> <tr> <td>0h</td> <td>Float</td> </tr> <tr> <td>1h</td> <td>Pull-Down</td> </tr> <tr> <td>2h</td> <td>Pull-Up</td> </tr> <tr> <td>3h</td> <td>Reserved</td> </tr> </table> <p>Byte2[7:2] determine which pin/pin group to set. Please refer to the table in command PINDRIVE entry.</p>	Byte2 [1:0]	Pin Setting	0h	Float	1h	Pull-Down	2h	Pull-Up	3h	Reserved
Byte2 [1:0]	Pin Setting													
0h	Float													
1h	Pull-Down													
2h	Pull-Up													
3h	Reserved													

Table 4-5 Host Command List

Note: Any command code not specified is reserved and should not be used by the software

4.1.6 Interrupts

The interrupt output pin is enabled by REG_INT_EN. When REG_INT_EN is 0, INT_N is tri-state (pulled to high by external pull-up resistor). When REG_INT_EN is 1, INT_N is driven low when any of the interrupt flags in REG_INT_FLAGS are high, after masking with REG_INT_MASK. Writing a '1' in any bit of REG_INT_MASK will enable the corresponding interrupt. Each bit in REG_INT_FLAGS is set by a corresponding interrupt source. REG_INT_FLAGS is readable by the host at any time and clears when read.

The INT_N pin is open-drain (OD) output by default. It can be configured to push-pull output by register REG_GPIOX.

Bit	Interrupt Source	Conditions
0	INT_SWAP	Display list swap occurred
1	INT_TOUCH	touch detected
2	INT_TAG	Touch-screen tag value change
3	INT_SOUND	Sound effect ended
4	INT_PLAYBACK	Audio playback ended
5	INT_CMDEEMPTY	Command FIFO empty
6	INT_CMDFLAG	Command FIFO flag
7	INT_CONV_COMPLETE	Touch-screen conversions completed
8	INT_UNDERRUN	Graphics pipeline underrun

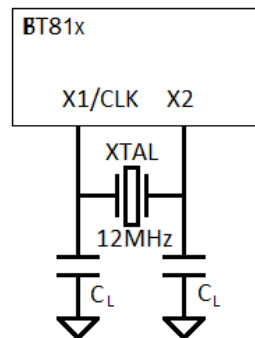
Table 4-6 Interrupt Flags bit assignment

4.2 System Clock

4.2.1 Clock Source

The BT817A supports external 12MHz crystal as clock source for system clock and RGB interface pixel clock.

Figure 4-4 shows the pin connections for the crystal.


Figure 4-4 Crystal Oscillator Connection

4.2.2 Phase Locked Loop

There are 2 PLLs inside the chip, system PLL(PLL1) and PCLK PLL(PLL2).

The system PLL takes an input clock from the oscillator, and generates clocks to all internal circuits, including the graphics engine, audio engine and touch engine.

The PCLK PLL (PLL2) takes an input clock from the oscillator and generates clocks for RGB interface when configured in Exsync mode.

4.2.3 Clock Enable

At power-on the BT817A is in sleep mode. The system clock will be enabled when the following step is executed:

- Host sends a "CLKEXT" command
- Host sends an "ACTIVE" command

4.2.4 Clock Frequency

By default, the system clock is running at 60MHz when the input clock is 12MHz. The host is allowed to switch the system clock to other frequencies by the host command "CLKSEL". The clock switching command shall be sent in SLEEP mode only.

After the chip is put into Active mode, software shall update the REG_FREQUENCY value to align with the chosen system clock frequency by CLKSEL command, if the default 60MHz is changed.

4.3 Graphics Engine

4.3.1 Introduction

The graphics engine executes the display list once for every horizontal line. It executes the primitive objects in the display list and constructs the display line buffer. The horizontal pixel content in the line buffer is updated if the object is visible at the horizontal line.

Key features of the graphics engine are:

- The primitive objects supported by the graphics processor are lines, points, rectangles, bitmaps (comprehensive set of formats), text display, plotting bar graph, edge strips, and line strips, etc.
- Operations such as stencil test, alpha blending and masking are useful for creating a rich set of effects such as shadows, transitions, reveals, fades, and wipes.
- Anti-aliasing of the primitive objects (except bitmaps) gives a smoothing effect to the viewer.
- Bitmap transformations enable operations such as translate, scale, and rotate.
- Display pixels are plotted with 1/16th pixel precision.
- Four levels of graphics states
- Tag buffer detection

The graphics engine also supports customized built-in widgets and functionalities such as ASTC decode, jpeg decode, screen saver, calibration etc. The graphics engine interprets commands from the MPU host via a 4 Kbyte FIFO in the BT817A memory at RAM_CMD. The MPU/MCU writes commands into the FIFO, and the graphics engine reads and executes the commands. The MPU/MCU updates the register REG_CMD_WRITE to indicate that there are new commands in the FIFO, and the graphics engine updates REG_CMD_READ after commands have been executed.

Key features supported are:

- Drawing of widgets such as buttons, clock, keys, gauges, text displays, progress bars, sliders, toggle switches, dials, gradients, etc.
- JPEG and motion-JPEG decode
- Inflate functionality (zlib inflate is supported)
- Timed interrupt (generate an interrupt to the host processor after a specified number of milliseconds)
- In-built animated functionalities such as displaying logo, calibration, spinner, screen saver and sketch
- Snapshot feature to capture the current graphics display

For a complete list of graphics engine display commands and widgets refer to [BT81X Series Programming Guide](#), Chapter 4.

4.3.2 ASTC

ASTC stands for **A**daptive **S**calable **T**exture **C**ompression, an open standard developed by ARM for use in mobile GPUs.

ASTC is a block-based lossy compression format. The compressed image is divided into a number of blocks of uniform size, which makes it possible to quickly determine which block a given texel (unit of a texture map) resides in. Each block has a fixed memory footprint of 128 bits, but these bits can represent varying numbers of texels (the block footprint).

Block footprint sizes are not confined to powers-of-two and are also not confined to be square. For 2D formats the block dimensions range from 4 to 12 texels.

Using ASTC for the large ROM fonts can save considerable space. Encoding the four largest fonts in ASTC 8x8 formats gives no noticeable loss in quality and reduces the ROM size from 1 Mbytes to about 640 Kbytes.

4.3.3 ROM and RAM Fonts

The BT817A has built in ROM character bitmaps as font metrics. The graphics engine can use these metrics when drawing text fonts. There are a total of 19 ROM fonts, numbered with font handle 16-34. Fonts 31-34 are large ROM fonts encoded in ASTC 8x8 format. The user can define and load customized font metrics into RAM_G or external flash, making it possible to support a full range of Unicode characters with UTF-8 coding points.

Each ROM font metric block has a 148-byte font table which defines the parameters of the font and the pointer of font image. The font table format is shown in Table 4-7.

Address Offset	Size(byte)	Parameter Description
0	128	width of each font character, in pixels
128	4	font bitmap format, for example L1, L4 or L8
132	4	font line stride, in bytes
136	4	font width, in pixels
140	4	font height, in pixels
144	4	pointer to font image data in memory

Table 4-7 Font Table Format

The ROM fonts are stored in the memory space ROM_FONT. The ROM font table is also stored in the ROM. The starting address of the ROM font table for font index 16 is stored at ROM_FONT_ADDR, with other font tables following. The ROM font table and individual character width (in pixel) are listed in Table 4-8, Table 4-9 and Table 4-10. Font index 16, 18 and 20-31 are for basic ASCII characters (code 0-127), while font index 17 and 19 are for Extended ASCII characters (code 128-255). The character width for font index 16 through 19 is fixed at 8 pixels for any of the ASCII characters.

Font Index	16	17	18	19	20	21	22	23	24	25	26	27	28	29	30	31	32	33	34
Font format	L1	L1	L1	L1	L1	L1	L1	L1	L1	L1	L4	L4	L4	L4	L4	-	-	-	-
Line stride	1	1	1	1	2	2	2	3	3	4	7	8	9	11	14	18	23	30	39
Font width (max)	8	8	8	8	11	13	17	8	5	3	1	1	1	2	2	3	4	6	8
Font height	8	8	16	16	13	17	20	22	29	38	16	20	25	28	36	49	63	83	108

Table 4-8 ROM Font Table

Font Index =>	16/18	20	21	22	23	24	25	26	27	28	29	30	31	32	33	34
ASCII Character width in	0	NULL	8	0	0	0	0	0	0	0	0	0	0	0	0	0
	1	SOH	8	0	0	0	0	0	0	0	0	0	0	0	0	0
	2	STX	8	0	0	0	0	0	0	0	0	0	0	0	0	0
	3	ETX	8	0	0	0	0	0	0	0	0	0	0	0	0	0
	4	EOT	8	0	0	0	0	0	0	0	0	0	0	0	0	0
	5	ENQ	8	0	0	0	0	0	0	0	0	0	0	0	0	0
	6	ACK	8	0	0	0	0	0	0	0	0	0	0	0	0	0
	7	BEL	8	0	0	0	0	0	0	0	0	0	0	0	0	0
	8	BS	8	0	0	0	0	0	0	0	0	0	0	0	0	0
	9	HT	8	0	0	0	0	0	0	0	0	0	0	0	0	0

Font Index =>	16/18	20	21	22	23	24	25	26	27	28	29	30	31	32	33	34	
10	LF	8	0	0	0	0	0	0	0	0	0	0	0	0	0	0	
11	VT	8	0	0	0	0	0	0	0	0	0	0	0	0	0	0	
12	FF	8	0	0	0	0	0	0	0	0	0	0	0	0	0	0	
13	CR	8	0	0	0	0	0	0	0	0	0	0	0	0	0	0	
14	SO	8	0	0	0	0	0	0	0	0	0	0	0	0	0	0	
15	SI	8	0	0	0	0	0	0	0	0	0	0	0	0	0	0	
16	DLE	8	0	0	0	0	0	0	0	0	0	0	0	0	0	0	
17	DC1	8	0	0	0	0	0	0	0	0	0	0	0	0	0	0	
18	DC2	8	0	0	0	0	0	0	0	0	0	0	0	0	0	0	
19	DC3	8	0	0	0	0	0	0	0	0	0	0	0	0	0	0	
20	DC4	8	0	0	0	0	0	0	0	0	0	0	0	0	0	0	
21	NAK	8	0	0	0	0	0	0	0	0	0	0	0	0	0	0	
22	SYN	8	0	0	0	0	0	0	0	0	0	0	0	0	0	0	
23	ETB	8	0	0	0	0	0	0	0	0	0	0	0	0	0	0	
24	CAN	8	0	0	0	0	0	0	0	0	0	0	0	0	0	0	
25	EM	8	0	0	0	0	0	0	0	0	0	0	0	0	0	0	
26	SUB	8	0	0	0	0	0	0	0	0	0	0	0	0	0	0	
27	ESC	8	0	0	0	0	0	0	0	0	0	0	0	0	0	0	
28	FS	8	0	0	0	0	0	0	0	0	0	0	0	0	0	0	
29	GS	8	0	0	0	0	0	0	0	0	0	0	0	0	0	0	
30	RS	8	0	0	0	0	0	0	0	0	0	0	0	0	0	0	
31	US	8	0	0	0	0	0	0	0	0	0	0	0	0	0	0	
32	Space	8	3	4	5	5	6	9	3	4	5	6	8	10	13	18	23
33	!	8	3	4	5	6	6	9	3	4	6	6	9	11	15	19	25
34	"	8	4	5	6	5	8	12	5	6	7	8	12	15	19	25	33
35	#	8	6	8	9	10	14	19	10	11	14	15	19	26	33	44	57
36	\$	8	6	8	9	10	13	18	8	10	11	15	18	25	31	41	54
37	%	8	9	12	14	16	22	29	11	13	16	17	23	31	40	52	68
38	&	8	8	10	11	13	17	22	9	11	14	15	19	26	34	44	57
39	'	8	2	3	3	3	6	6	3	4	4	5	7	10	11	15	20
40	(8	4	5	6	6	8	11	5	6	7	9	11	15	18	24	31
41)	8	4	5	6	6	8	11	5	6	8	8	10	14	18	24	31
42	*	8	4	7	6	7	10	13	7	8	10	11	14	18	24	31	40
43	+	8	6	9	10	10	14	19	9	10	12	14	17	24	30	41	52
44	,	8	3	3	4	5	6	9	3	4	4	5	7	9	12	16	20
45	-	8	4	4	5	6	8	11	6	7	10	11	15	18	24	32	41
46	.	8	3	3	4	5	6	9	3	4	6	7	8	11	14	19	24
47	/	8	3	4	5	5	7	9	6	7	9	10	13	17	22	29	38
48	0	8	6	8	9	10	13	18	8	10	12	14	17	24	30	40	52
49	1	8	6	8	9	10	13	18	8	10	12	14	17	24	30	40	52
50	2	8	6	8	9	10	13	18	8	10	12	14	17	24	30	40	52
51	3	8	6	8	9	10	13	18	8	10	12	14	17	24	30	40	52
52	4	8	6	8	9	10	13	18	8	10	12	14	17	24	30	40	52
53	5	8	6	8	9	10	13	18	8	10	12	14	17	24	30	40	52
54	6	8	6	8	9	10	13	18	8	10	12	14	17	24	30	40	52
55	7	8	6	8	9	10	13	18	8	10	12	14	17	24	30	40	52
56	8	8	6	8	9	10	13	18	8	10	12	14	17	24	30	40	52
57	9	8	6	8	9	10	13	18	8	10	12	14	17	24	30	40	52
58	:	8	3	3	4	5	6	9	3	4	6	6	7	10	13	18	23
59	;	8	3	4	4	5	6	9	3	4	6	6	8	10	14	18	23
60	<	8	6	8	10	10	15	19	8	9	11	12	16	21	28	36	46
61	=	8	5	9	10	11	15	19	8	9	13	14	18	23	30	40	52
62	>	8	6	8	10	10	15	19	8	9	11	13	16	22	29	37	48

Font Index =>	16/18	20	21	22	23	24	25	26	27	28	29	30	31	32	33	34	
63	?	8	6	8	9	10	12	18	7	9	10	12	15	20	26	34	44
64	@	8	11	13	17	18	25	34	13	15	19	21	28	37	49	63	82
65	A	8	7	9	11	13	17	22	9	11	13	15	20	27	34	45	58
66	B	8	7	9	11	13	17	22	9	10	14	15	19	27	34	45	58
67	C	8	8	10	12	14	18	24	9	11	13	15	20	26	34	45	58
68	D	8	8	10	12	14	18	24	9	11	14	17	22	28	36	48	63
69	E	8	7	9	11	13	16	22	7	9	12	13	16	23	29	39	50
70	F	8	6	8	10	12	14	20	7	9	12	13	17	22	29	39	50
71	G	8	8	11	13	15	19	25	9	11	14	16	22	28	37	48	62
72	H	8	8	10	12	14	18	24	9	11	15	17	23	29	37	50	65
73	I	8	3	4	4	6	8	9	4	5	6	7	9	12	15	20	26
74	J	8	5	7	8	10	13	16	8	9	12	13	17	23	30	40	50
75	K	8	7	9	11	13	18	22	9	11	14	16	19	26	34	45	58
76	L	8	6	8	9	11	14	18	7	9	12	13	17	22	29	39	51
77	M	8	9	12	13	16	21	27	11	14	19	21	26	35	46	62	79
78	N	8	8	10	12	14	18	24	9	11	15	17	23	29	37	50	65
79	O	8	8	11	13	15	18	25	10	12	14	16	22	28	37	49	63
80	P	8	7	9	11	13	16	22	9	10	14	15	19	26	34	45	58
81	Q	8	8	11	13	15	18	26	10	12	14	17	22	29	38	50	64
82	R	8	7	10	12	14	17	24	9	11	13	15	19	27	33	45	58
83	S	8	7	9	11	13	16	22	9	11	12	14	20	26	33	43	56
84	T	8	5	9	10	12	16	20	10	12	14	15	19	26	32	42	56
85	U	8	8	10	12	14	18	24	9	11	13	17	21	28	37	48	62
86	V	8	7	9	11	13	17	22	9	11	14	15	20	27	34	45	58
87	W	8	9	13	15	18	22	31	12	15	18	21	27	36	46	61	79
88	X	8	7	9	11	13	17	22	9	11	13	15	20	27	34	45	58
89	Y	8	7	9	11	13	16	22	9	10	14	15	19	26	34	45	58
90	Z	8	7	9	10	12	15	20	9	11	13	14	18	25	32	42	55
91	[8	3	4	5	5	7	9	4	5	6	7	9	12	15	19	25
92	\	8	3	4	5	5	7	9	6	7	9	10	13	18	22	29	38
93]	8	3	4	5	5	7	9	4	5	7	7	9	12	15	19	25
94	^	8	6	7	8	9	12	16	6	7	9	10	13	18	23	30	38
95	_	8	6	8	9	11	14	18	8	10	11	13	16	21	26	34	43
96	`	8	3	5	6	4	7	11	4	5	7	8	10	13	17	22	29
97	A	8	5	8	9	11	13	18	8	9	11	13	17	23	30	39	50
98	B	8	6	7	9	11	14	18	8	9	11	14	17	24	31	40	52
99	C	8	5	7	8	10	12	16	8	9	11	12	16	22	28	37	48
100	D	8	6	8	9	11	14	18	8	10	12	14	17	24	31	40	52
101	E	8	5	8	9	10	13	18	8	9	11	12	16	22	29	37	48
102	F	8	4	4	5	6	8	9	6	7	8	10	12	15	19	25	31
103	G	8	6	8	9	11	14	18	8	10	11	14	18	24	31	41	52
104	H	8	6	8	9	10	13	18	8	9	11	14	17	24	31	41	52
105	I	8	2	3	3	4	6	7	3	4	6	6	7	10	13	18	23
106	J	8	2	3	4	4	6	7	3	4	6	6	8	11	14	18	23
107	K	8	5	7	8	9	12	16	7	9	11	13	16	22	28	36	47
108	L	8	2	3	3	4	6	7	3	4	6	6	7	10	13	18	23
109	M	8	8	11	14	16	20	27	11	15	18	21	27	36	47	63	80
110	N	8	6	8	9	10	14	18	8	9	11	14	17	24	31	41	52
111	O	8	6	8	9	11	13	18	8	10	12	13	17	24	31	40	52
112	P	8	6	8	9	11	14	18	8	9	11	14	17	24	31	40	51
113	Q	8	6	8	9	11	14	18	8	10	12	13	17	24	31	40	52
114	R	8	4	5	5	6	9	11	5	6	7	9	11	15	19	25	32
115	S	8	5	7	8	9	12	16	7	9	11	12	17	22	29	38	48
116	T	8	4	4	5	6	8	9	6	7	8	9	11	14	17	23	29

Font Index =>	16/18	20	21	22	23	24	25	26	27	28	29	30	31	32	33	34	
117	U	8	5	7	9	10	14	18	8	9	12	14	17	24	31	41	52
118	V	8	6	7	8	10	13	16	7	9	11	12	16	21	27	36	46
119	W	8	8	10	12	14	18	23	11	13	16	18	23	32	41	54	70
120	X	8	6	7	8	10	12	16	7	9	11	12	16	21	27	36	46
121	Y	8	5	7	8	10	13	16	7	9	11	12	16	21	27	36	46
122	Z	8	5	7	8	9	12	16	8	9	11	12	15	22	27	36	46
123	{	8	3	5	6	6	8	11	5	6	8	8	11	15	18	24	31
124		8	3	3	4	5	6	9	3	4	5	6	7	10	14	18	23
125	}	8	3	5	6	6	8	11	5	6	7	9	10	15	18	24	31
126	~	8	7	8	10	10	14	19	10	11	14	15	21	29	36	47	63
127	DEL	8	0	0	0	0	0	0	3	4	5	6	5	10	13	18	23

Table 4-9 ROM font ASCII character width in pixels

Decimal	Symbol	Decimal	Symbol	Decimal	Symbol	Decimal	Symbol	Decimal	Symbol	Decimal	Symbol	Decimal	Symbol	Decimal	Symbol
128	ç	144	É	160	á	176	☼	192	⌞	208	⊕	224	α	240	≡
129	ü	145	æ	161	í	177	☼	193	⊕	209	⊕	225	β	241	±
130	é	146	Æ	162	ó	178	☼	194	⊕	210	⊕	226	γ	242	≥
131	â	147	ô	163	ú	179		195	⊕	211	⌞	227	∏	243	≤
132	ä	148	ö	164	ñ	180	⊕	196	—	212	⌞	228	Σ	244	∫
133	à	149	ò	165	Ñ	181	⊕	197	⊕	213	⌞	229	σ	245	∫
134	ã	150	û	166	ª	182	⊕	198	⊕	214	⌞	230	μ	246	÷
135	ç	151	ù	167	º	183	⊕	199	⊕	215	⊕	231	τ	247	≈
136	ê	152	ÿ	168	¿	184	⊕	200	⌞	216	⊕	232	Φ	248	°
137	ë	153	ÿ	169	¬	185	⊕	201	⌞	217	⊕	233	θ	249	•
138	è	154	ÿ	170	¬	186		202	⊕	218	⌞	234	Ω	250	·
139	ï	155	¢	171	½	187	⊕	203	⊕	219	■	235	δ	251	√
140	î	156	£	172	¼	188	⊕	204	⊕	220	■	236	ω	252	ⁿ
141	ì	157	¥	173	¡	189	⊕	205	—	221	■	237	φ	253	²
142	Ä	158	₣	174	«	190	⊕	206	⊕	222	■	238	ε	254	■
143	Å	159	f	175	»	191	⊕	207	⊕	223	■	239	∏	255	nbsp

Table 4-10 ROM Font Extended ASCII Characters

Note 1: Font 17 and 19 are extended ASCII characters, with width fixed at 8 pixels for all characters.

Note 2: All fonts included in the BT817A ROM are widely available to the market-place for general usage.

4.4 SPI NOR Flash Interface

The BT817A implements a SPI master to connect to external SPI NOR Flash. Graphics assets such as Unicode fonts and images can be stored in the flash memory. The BT817A graphics engine can fetch these graphics assets directly without going through external host MCU, thus significantly offloading the host MCU from feeding display contents.

The BT817A supports various NOR flash memory device from different vendors such as Cypress, Macronix, Winbond, Micron, ISSI and Gigadevice. The flash shall support XIP operation. The interface will work at system clock speed at 4-bit mode, providing the maximum data read throughput of 288 Mbit/s.

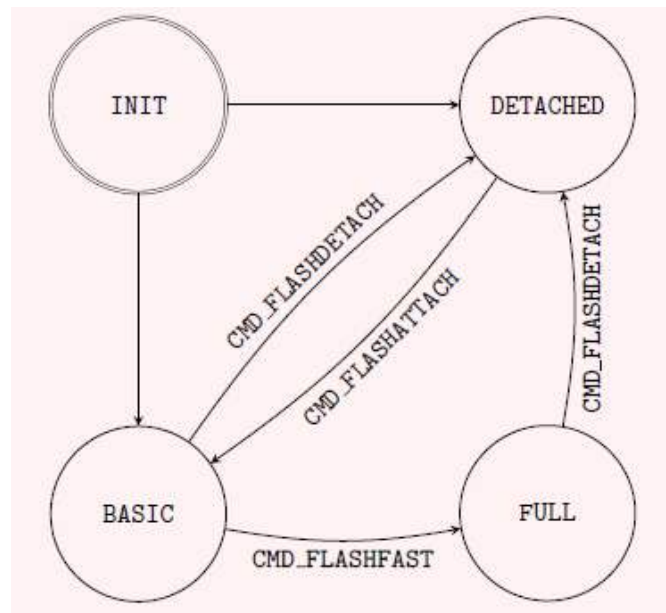


Figure 4-5 Flash Interface States

The register REG_FLASH_STATE indicates the state of the flash subsystem. At boot, the flash state is FLASH_STATE_INIT. After detection has completed flash is in state FLASH_STATE_DETACHED or FLASH_STATE_BASIC, depending on whether an attached flash device was detected.

If no device is detected, then all SPIM signals are driven to low or high, except SPIM_MISO which is Hi-Z.

When the host MCU calls CMD_FLASHFAST, the flash system attempts to go to full-speed mode, setting state to FLASH_STATE_FULL (Note: the 4K byte flash blob file needs to program to the flash before the flash can enter full-speed mode).

At any time, the user can call CMD_FLASHDETACH in order to disable flash communications. In the detached state, commands CMD_FLASHSPIDESEL, CMD_FLASHSPITX and CMD_FLASHSPIRX can be used to control the SPI bus.

If detached, the host MCU can call CMD_FLASHATTACH to re-establish communication with the flash device.

Direct rendering of bitmaps from flash is only possible in FLASH_STATE_FULL. After modifying the contents of flash, the MCU should clear the on-chip bitmap cache by calling CMD_CLEARCACHE.

If the flash is blank (or erased using the CMD_FLASHERASE), it is recommended to use CMD_FLASHPROGRAM to program the flash in order to achieve fastest programming speed. For Micron MT25QL and Cypress S25FL-L series NOR flash, typical programming speed is about 900 kByte/s (assume host SPI clock set at 10MHz or higher in Single SPI mode).

4.5 Parallel RGB Interface

The RGB parallel interface consists of 29 signals - DISP, PCLK, VSYNC, HSYNC, DE, 8 signals each for R, G and B.

A set of RGB registers configure the LCD operation and timing parameters.

REG_PCLK is used to select the display mode and clock divisor. The default value is 0, which means the display scanout is disabled and all RGB signals output Low.

When REG_PCLK is set to 1, the display output will be in EXTSYNC mode, where the PCLK frequency is controlled by REG_PCLK_FREQ from PLL2. The maximum PLL2 frequency is 228MHz. The PCLK frequency can be set up to 96MHz to align with the optimized PCLK frequency of the selected LCD

panel. If PCLK frequency is equal to or higher than system clock frequency (up to double the system clock frequency), the REG_PCLK_2X needs to be 1 so that the graphics engine can send two pixels per system clock to the EXTSYNC block. Note that in this 2X mode, the values loaded in the following registers must be even: REG_HSIZE, REG_HOFFSET, REG_HCYCLE, REG_HSYNC0, REG_HSYNC1.

The PCLK frequency in EXTSYNC mode can be calculated as:

$$\begin{aligned} \text{PLL2 frequency} &= 12\text{MHz} * \text{REG_PCLK_FREQ}[9:4] \\ \text{PCLK frequency} &= \text{PLL2 frequency} / \text{REG_PCLK_FREQ}[3:0] / 2 \end{aligned}$$

REG_PCLK_FREQ[11:10] is determined by PLL2 frequency range:

- 00: 20 – 40 MHz
- 01: 40 – 80 MHz
- 10: 80 – 160 MHz
- 11: 160 – 228 MHz

Important Note: The user must always ensure that the PLL2 frequency does not exceed the limit of 228MHz and that the PCLK frequency does not exceed 96MHz. It is recommended to use these values from Table 4-11 when setting the register.

Table 4-11 lists some of the valid PCLK frequency and REG_PCLK_FREQ values in EXTSYNC mode.

fclk (MHz)	REG_PCLK_FREQ (hex)	fclk (MHz)	REG_PCLK_FREQ (hex)	fclk (MHz)	REG_PCLK_FREQ (hex)	fclk (MHz)	REG_PCLK_FREQ (hex)	fclk (MHz)	REG_PCLK_FREQ (hex)
96	D01	51	D12	32	D03	22	8B3	10.5	874
90	CF1	48	881	30	451	21	872	10	453
84	CE1	45	CF2	28.5	D34	19.5	8D4	9	32
78	8D1	42	871	28	CE3	18	31	8	443
72	8C1	39	8D2	27	892	16.5	8B4	7.5	454
66	8B1	38	D33	26	8D3	16	883	6	22
60	8A1	36	461	25.5	D14	15	452	4.5	34
57	D32	34	D13	24	441	13.5	894	4	23
54	891	33	8B2	22.5	CF4	12	21	3	24

Table 4-11 RGB PCLK Frequency in EXTSYNC mode

When REG_PCLK is set to 2 to 255, the display out is in pass-through mode, where the PCLK frequency can be calculated as:

$$\text{PCLK frequency} = \text{System Clock frequency} / \text{REG_PCLK}$$

The BT817A system clock frequency is programmable. Some of the possible PCLK frequencies that BT817A supports in pass-through mode are listed in Table 4-12.

REG_PCLK	System Clock Frequency (MHz)				
	72	60(default)	48	36	24
2	36	30	24	18	12
3	24	20	16	12	8.0
4	18	15	12	9.0	6.0
5	14.5	12	9.6	7.2	4.8
6	12	10	8.0	6.0	4.0
7	10.3	8.6	6.9	5.1	3.4
8	9	7.5	6.0	4.5	3.0
9	8	6.7	5.3	4.0	2.7
10	7.2	6.0	4.8	3.6	2.4

Table 4-12 RGB PCLK Frequency in Pass-Through mode

REG_PCLK_POL defines the clock polarity, with 0 for LCD display with positive active clock edge, and 1 for LCD display with negative active clock edge.

REG_CSPREAD controls the transition of RGB signals with respect to the PCLK active clock edge. When REG_CSPREAD=0, R[7:0], G[7:0] and B[7:0] signals change following the active edge of PCLK. When REG_CSPREAD=1, R[7:0] changes a PCLK clock early and B[7:0] a PCLK clock later, which helps reduce the switching noise.

REG_DITHER enables colour dither. To improve image quality, the graphics engine applies a 2x2 color dither matrix to output pixels. This option improves the half-tone appearance on displays, even on 1-bit displays. Note that the dither function is not applicable to 2X mode (REG_PCLK_2X=1).

REG_OUTBITS gives the bit width of each colour channel. The default is 8/8/8 bits for each R/G/B colour, giving total colour depth of 16,777,216 colours. A lower value means fewer bits are output for that colour channel, allowing dithering on lower precision LCD displays. A typical lower precision LCD has 6/6/6 bits for each R/G/B colour, giving total colour depth of 262,144 colours. For 6/6/6 bits configuration, pins R2-R7, G2-G7 and B2-B7 will be used, while pins R0,R1,G0,G1,B0,B1 can be left un-connected.

REG_SWIZZLE controls the arrangement of the output colour pins, to help PCB routing with different LCD panel arrangements. Bit 0 of the register causes the order of bits in each colour channel to be reversed. Bits 1-3 control the RGB order. Setting Bit 1 causes R and B channels to be swapped. Setting Bit 3 allows rotation to be enabled. If Bit 3 is set, then (R, G, B) is rotated right if bit 2 is one or left if bit 2 is zero.

REG_SWIZZLE				RGB PINS		
b3	b2	b1	b0	R7, R6, R5, R4, R3, R2, R1, R0	G7, G6, G5, G4, G3, G2, G1, G0	B7, B6, B5, B4, B3, B2, B1, B0
0	X	0	0	R[7:0]	G[7:0]	B[7:0]
0	X	0	1	R[0:7]	G[0:7]	B[0:7]
0	X	1	0	B[7:0]	G[7:0]	R[7:0]
0	X	1	1	B[0:7]	G[0:7]	R[0:7]
1	0	0	0	B[7:0]	R[7:0]	G[7:0]
1	0	0	1	B[0:7]	R[0:7]	G[0:7]
1	0	1	0	G[7:0]	R[7:0]	B[7:0]
1	0	1	1	G[0:7]	R[0:7]	B[0:7]
1	1	0	0	G[7:0]	B[7:0]	R[7:0]
1	1	0	1	G[0:7]	B[0:7]	R[0:7]
1	1	1	0	R[7:0]	B[7:0]	G[7:0]
1	1	1	1	R[0:7]	B[0:7]	G[0:7]

Table 4-13 REG_SWIZZLE RGB Pins Mapping

REG_HCYCLE, REG_HSIZE, REG_HOFFSET, REG_HSYNC0 and REG_HSYNC1 define the LCD horizontal timings. Each register has 12 bits to allow programmable range of 0-4095 PCLK cycles. REG_VCYCLE, REG_VSIZE, REG_VOFFSET, REG_VSYNC0 and REG_VSYNC1 define the LCD vertical timings. Each register has 12 bits to allow a programmable range of 0-4095 lines.

	Register	Display Parameter	Description
Horizontal	REG_HCYCLE	T_H	Total length of line (visible and non-visible) (in PCLKs)
	REG_HSIZE	T_{HD}	Length of visible part of line (in PCLKs)
	REG_HOFFSET	$T_{HF} + T_{HP} + T_{HB}$	Length of non-visible part of line. Must be $< T_H - T_{HD}$ (in PCLK cycles)
	REG_HSYNC0	T_{HF}	Horizontal Front Porch (in PCLK cycles)
	REG_HSYNC1	$T_{HF} + T_{HP}$	Horizontal Front Porch plus Hsync Pulse width (in PCLK cycles)
Vertical	REG_VCYCLE	T_V	Total number of lines (visible and non-visible) (in lines)
	REG_VSIZE	T_{VD}	Number of visible lines (in lines)
	REG_VOFFSET	$T_{VF} + T_{VP} + T_{VB}$	Number of non-visible lines. Must be $< T_V - T_{VD}$ (in lines)

REG_VSYNC0	T_{VF}	Vertical Front Porch (in lines)
REG_VSYNC1	$T_{VF} + T_{VP}$	Vertical Front Porch plus Vsync Pulse width (in lines)

Table 4-14 Registers for RGB Horizontal and Vertical Timings

When setting the display registers, ensure that the following conditions are met:

$$HOFFSET < (HCYCLE - HSIZE)$$

$$VOFFSET < (VCYCLE - VSIZE)$$

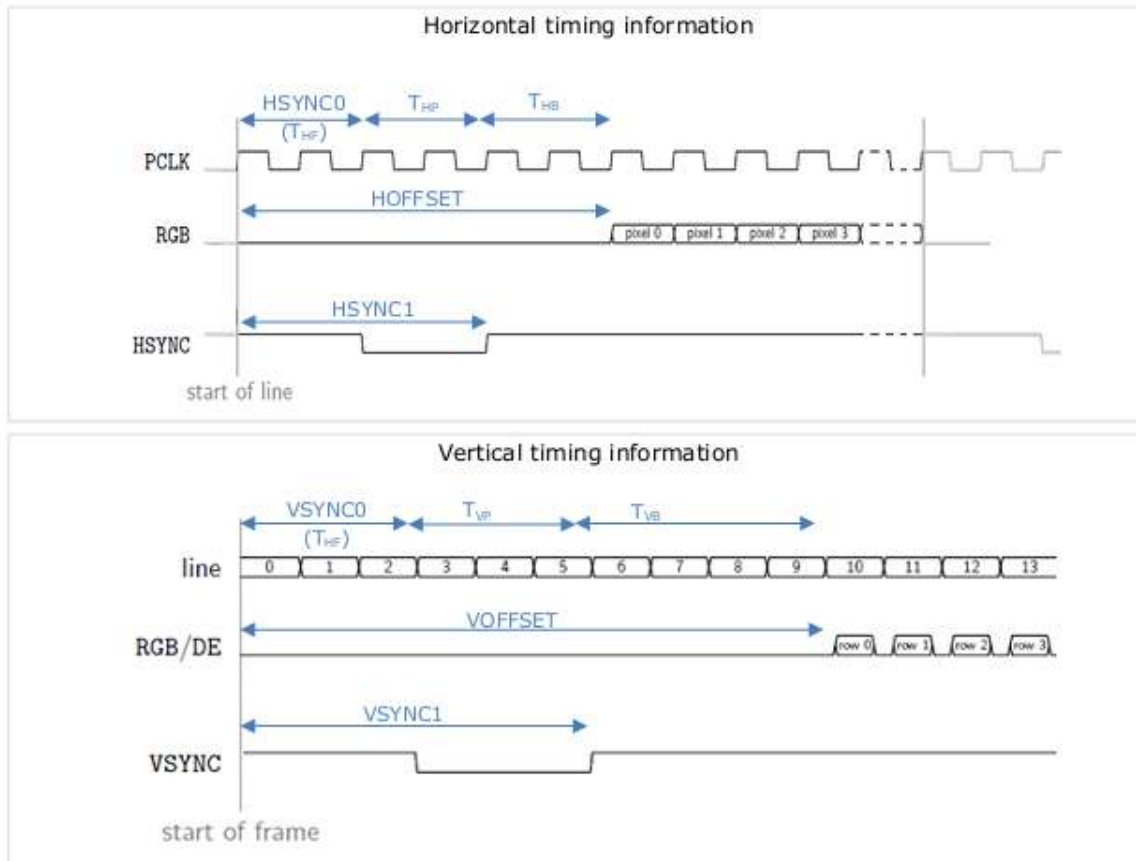


Figure 4-6 RGB Timing Waveforms

BT817A supports adaptive HSYNC and adaptive framerate operations. In adaptive HSYNC mode the graphics engine may delay the start of the scanout line up to the cycle count given in REG_AH_HCYCLE_MAX, while keeping PCLK running. Adaptive HSYNC is enabled when REG_AH_HCYCLE_MAX is set to a non-zero value between REG_HCYCLE and 4095. In adaptive framerate mode the graphics engine may suspend PLCK if the next scanout line is not ready. Note that some displays (for example displays with LVDS interface) may not support PCLK varying or pausing. If not supported, disable adaptive framerate via register REG_ADAPTIVE_FRAMERATE.

BT817A supports Horizontal Scanout Filter (HSF) operation. The HSF applies a high-quality filter to output pixels, correcting for LCD panels with non-square pixels (the physical size of the LCD pixel is not square). HSF is enabled and disabled with CMD_HSF. Note that HSF and 2X are not supported together.

Table 4-15 lists all the supported display modes for the RGB interface.

EXTSYNC	2X	adaptive	HSF	Description
No	No	No	No	passthrough mode

No	No	framerate	No	passthrough, adaptive framerate
No	No	hsync	No	passthrough, adaptive hsync
No	No	*	Yes	not supported
Yes	No	No	No	extsync mode
Yes	No	No	Yes	extsync, HSF
Yes	No	framerate	No	extsync, adaptive framerate
Yes	No	framerate	Yes	extsync, adaptive framerate, HSF
Yes	No	hsync	No	extsync, adaptive hsync
Yes	No	hsync	Yes	extsync, adaptive hsync, HSF
Yes	Yes	No	No	extsync mode, 2X pixels
Yes	Yes	framerate	No	extsync, 2X, adaptive framerate
Yes	Yes	hsync	No	extsync, 2X, adaptive hsync
Yes	Yes	*	Yes	not supported

Table 4-15 Display mode

4.6 Miscellaneous Control

4.6.1 Backlight Control Pin

The backlight dimming control pin (BACKLIGHT) is a Pulse-width Modulation (PWM) signal controlled by two registers: *REG_PWM_HZ* and *REG_PWM_DUTY*. *REG_PWM_HZ* specifies the PWM output frequency, the range is 250-10000 Hz. *REG_PWM_DUTY* specifies the duty cycle; the range is 0-128. A value of 0 means that the PWM is completely off and 128 means completely on.

The BACKLIGHT pin will output low when the DISP pin is not enabled (i.e., logic 0).

4.6.2 DISP Control Pin

The DISP pin is a general-purpose output that can be used to enable or reset the LCD display panel. The pin is controlled by writing to Bit 7 of the *REG_GPIO* register, or bit 15 of *REG_GPIOX*.

4.6.3 General Purpose IO pins

The BT817A can be configured to use up to 4 GPIO pins. These GPIO pins are controlled by the *REG_GPIOX_DIR* and *REG_GPIOX* registers. Alternatively, the GPIO0 and GPIO1 pins can also be controlled by *REG_GPIO_DIR* and *REG_GPIO* to maintain backward compatibility with the FT800/FT801.

When the QSPI is enabled in Quad mode, GPIO0/IO2 and GPIO1/IO3 pins are used as data lines of the QSPI.

4.6.4 Pins Drive Current Control

The output drive current of output pins can be changed as per the following table by writing to bit[6:2] of *REG_GPIO* register or bit[14:10] of *REG_GPIOX* register. Alternatively, use the SPI command PINDRIVE to change the individual pin drive strength.

REG_GPIO	Bit[6:5]				Bit[4]		Bit[3:2]			
REG_GPIOX	Bit[14:13]				Bit[12]		Bit[11:10]			
Value	00b#	01b	10b	11b	0b#	1b	00b#	01b	10b	11b
Drive Strength Degree	DSD1	DSD2	DSD3	DSD4	DSD1	DSD2	DSD1	DSD2	DSD3	DSD4

Pins	GPIO0 GPIO1 GPIO2 GPIO3 CTP_RST_N	PCLK DISP VSYNC HSYNC DE R7..R0 G7..G0 B7..B0 BACKLIGHT	MISO MOSI IO2 IO3 INT_N SPIM_SCLK SPIM_SS_N SPIM_MOSI SPIM_MISO SPIM_IO2 SPIM_IO3
------	-----------------------------------------------	---------------------------------------------------------------------------------	-----------------------------------------------------------------------------------------------------------------

Table 4-16 Output Drive Current Selection

Note: #Default value

4.7 Audio Engine

BT817A provides mono audio output with sigma-delta modulation through a digital output pin, AUDIO_L. It outputs two audio sources, the sound synthesizer and audio file playback.

4.7.1 Sound Synthesizer

A sound processor, AUDIO ENGINE, generates the sound effects from a small ROM library of waves table. To play a sound effect listed in Table 4.3, load the REG_SOUND register with a code value and write 1 to the REG_PLAY register. The REG_PLAY register reads 1 while the effect is playing and returns a '0' when the effect ends. Some sound effects play continuously until interrupted or instructed to play the next sound effect. To interrupt an effect, write a new value to REG_SOUND and REG_PLAY registers; e.g., write 0 (Silence) to REG_SOUND and 1 to PEG_PLAY to stop the sound effect. Note that the audio engine will automatically start upon chip boot up, and the AUDIO_L pin will output a carrier signal at a frequency equal to half of the system clock. To avoid the carrier wave being output on the pin when audio is not used, play the mute sound (write 0x60 to REG_SOUND and 1 to REG_PLAY). The AUDIO_L pin will then output a logic low level.

The sound volume is controlled by register REG_VOL_SOUND. The 16-bit REG_SOUND register takes an 8-bit sound in the low byte. For some sounds, marked "pitch adjust" in the table below, the high 8 bits contain a MIDI note value. For these sounds, a note value of zero indicates middle C. For other sounds, the high byte of REG_SOUND is ignored.

Value	Effect	Continuous	Pitch adjust
00h	Silence	Y	N
01h	square wave	Y	Y
02h	sine wave	Y	Y
03h	sawtooth wave	Y	Y
04h	triangle wave	Y	Y
05h	Beeping	Y	Y
06h	Alarm	Y	Y
07h	Warble	Y	Y
08h	Carousel	Y	Y
10h	1 short pip	N	Y
11h	2 short pips	N	Y
12h	3 short pips	N	Y
13h	4 short pips	N	Y

Value	Effect	Continuous	Pitch adjust
32h	DTMF 2	Y	N
33h	DTMF 3	Y	N
34h	DTMF 4	Y	N
35h	DTMF 5	Y	N
36h	DTMF 6	Y	N
37h	DTMF 7	Y	N
38h	DTMF 8	Y	N
39h	DTMF 9	Y	N
40h	harp	N	Y
41h	xylophone	N	Y
42h	tuba	N	Y
43h	glockenspiel	N	Y
44h	organ	N	Y

14h	5 short pips	N	Y
15h	6 short pips	N	Y
16h	7 short pips	N	Y
17h	8 short pips	N	Y
18h	9 short pips	N	Y
19h	10 short pips	N	Y
1Ah	11 short pips	N	Y
1Bh	12 short pips	N	Y
1Ch	13 short pips	N	Y
1Dh	14 short pips	N	Y
1Eh	15 short pips	N	Y
1Fh	16 short pips	N	Y
23h	DTMF #	Y	N
2Ch	DTMF *	Y	N
30h	DTMF 0	Y	N
31h	DTMF 1	Y	N

45h	trumpet	N	Y
46h	piano	N	Y
47h	chimes	N	Y
48h	music box	N	Y
49h	bell	N	Y
50h	click	N	N
51h	switch	N	N
52h	cowbell	N	N
53h	notch	N	N
54h	hihat	N	N
55h	kickdrum	N	N
56h	pop	N	N
57h	clack	N	N
58h	chack	N	N
60h	mute	N	N
61h	unmute	N	N

Table 4-17 Sound Effect

MIDI note	ANSI note	Freq (Hz)
21	A0	27.5
22	A#0	29.1
23	B0	30.9
24	C1	32.7
25	C#1	34.6
26	D1	36.7
27	D#1	38.9
28	E1	41.2
29	F1	43.7
30	F#1	46.2
31	G1	49.0
32	G#1	51.9
33	A1	55.0
34	A#1	58.3
35	B1	61.7
36	C2	65.4
37	C#2	69.3
38	D2	73.4
39	D#2	77.8

MIDI note	ANSI note	Freq (Hz)
65	F4	349.2
66	F#4	370.0
67	G4	392.0
68	G#4	415.3
69	A4	440.0
70	A#4	466.2
71	B4	493.9
72	C5	523.3
73	C#5	554.4
74	D5	587.3
75	D#5	622.3
76	E5	659.3
77	F5	698.5
78	F#5	740.0
79	G5	784.0
80	G#5	830.6
81	A5	880.0
82	A#5	932.3
83	B5	987.8

40	E2	82.4	84	C6	1046.5
41	F2	87.3	85	C#6	1108.7
42	F#2	92.5	86	D6	1174.7
43	G2	98.0	87	D#6	1244.5
44	G#2	103.8	88	E6	1318.5
45	A2	110.0	89	F6	1396.9
46	A#2	116.5	90	F#6	1480.0
47	B2	123.5	91	G6	1568.0
48	C3	130.8	92	G#6	1661.2
49	C#3	138.6	93	A6	1760.0
50	D3	146.8	94	A#6	1864.7
51	D#3	155.6	95	B6	1975.5
52	E3	164.8	96	C7	2093.0
53	F3	174.6	97	C#7	2217.5
54	F#3	185.0	98	D7	2349.3
55	G3	196.0	99	D#7	2489.0
56	G#3	207.7	100	E7	2637.0
57	A3	220.0	101	F7	2793.8
58	A#3	233.1	102	F#7	2960.0
59	B3	246.9	103	G7	3136.0
60	C4	261.6	104	G#7	3322.4
61	C#4	277.2	105	A7	3520.0
62	D4	293.7	106	A#7	3729.3
63	D#4	311.1	107	B7	3951.1
64	E4	329.6	108	C8	4186.0

Table 4-18 MIDI Note Effect

4.7.2 Audio Playback

The BT817A can play back recorded sound through its audio output. To do this, load the original sound data into the BT817A's RAM, and set registers to start the playback.

The registers controlling audio playback are:

REG_PLAYBACK_START:	the start address of the audio data
REG_PLAYBACK_LENGTH:	the length of the audio data, in bytes
REG_PLAYBACK_FREQ:	the playback sampling frequency, in Hz
REG_PLAYBACK_FORMAT:	the playback format, one of LINEAR SAMPLES, uLAW SAMPLES, or ADPCM SAMPLES
REG_PLAYBACK_LOOP:	if zero, the sample is played once. If one, the sample is repeated indefinitely
REG_PLAYBACK_PLAY:	a write to this location triggers the start of audio playback, regardless of writing '0' or '1'. Read back '1' when playback is ongoing, and '0' when playback finishes
REG_VOL_PB:	playback volume, 0-255

The mono audio formats supported are 8-bits PCM, 8-bits uLAW and 4-bits IMA-ADPCM. For ADPCM_SAMPLES, each sample is 4 bits, so two samples are packed per byte, the first sample is in bits 0-3 and the second is in bits 4-7.

The current audio playback read pointer can be queried by reading the REG_PLAYBACK_READPTR. Using a large sample buffer, looping, and this read pointer, the host MPU/MCU can supply a continuous stream of audio.

4.8 Touch-Screen Engine

The BT817A touch-screen engine supports capacitive touch panels.

4.8.1 Capacitive Touch Control

The Capacitive Touch Screen Engine (CTSE) of the BT817A communicates with the external capacitive touch panel module (CTPM) through an I²C interface. The CTPM will assert its interrupt line when there is a touch detected. Upon detecting CTP_INT_N line active, the BT817A will read the touch data through I²C. Up to 5 touches can be reported and stored in BT817 registers. The BT817 built-in ROM code supports Focaltech, Hycontek and Goodix touch controllers, as well as touch host mode (refer to section 4.8.5). For a supported CTPM list please refer to [AN 336 FT8xx - Selecting an LCD Display](#). For other touch controller IC, consult Bridgetek.

The BT817A uses the I2C address value in the REG_TOUCH_CONFIG register to differentiate Focaltech/Hycontek and Goodix touch controllers. For Focaltech/Hycontek IC the I2C address must be set as 0x38-0x3F (example: REG_TOUCH_CONFIG = 0x0380), while for Goodix IC the I2C address must be set as 0x5D (example: REG_TOUCH_CONFIG = 0x05D0). The touch engine requires a reset if changing I2C address from default value, as shown below:

```
Write REG_CPURESET = 2
Write REG_TOUCH_CONFIG = 0x05D0 //For Goodix touch controller
Write REG_CPURESET = 0
```

The BT817A supports I2C clock stretch. This is particularly useful for supporting Hycontek touch IC.

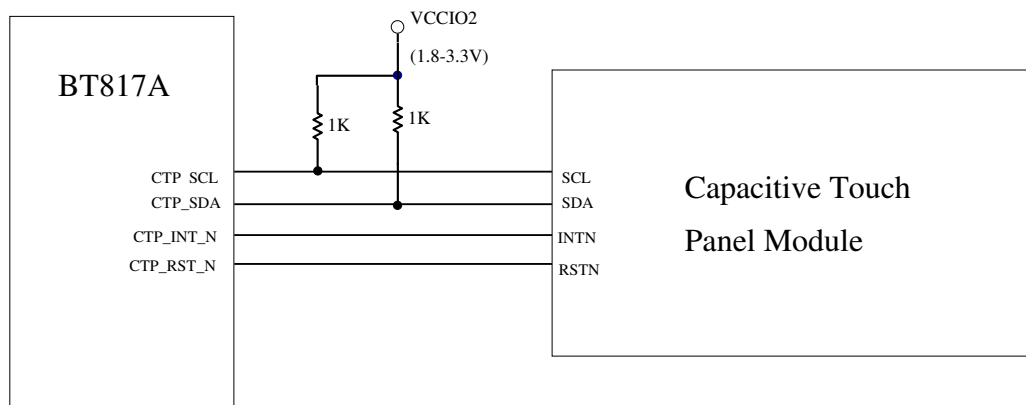


Figure 4-7 Touch Screen Connection

The host controls the CTSE operation mode by writing the REG_CTOUCH_MODE.

REG_CTOUCH_MODE	Mode	Description
0	OFF	Acquisition stopped
1-2	Reserved	Reserved
3	CONTINUOUS	Perform acquisition continuously at the reporting rate of the connected CTPM.

Table 4-19 Capacitive Touch Controller Operating Mode

The BT817A CTSE supports compatibility mode and extended mode. By default, the CTSE runs in compatibility mode. In extended mode, the touch register meanings are modified, and a second set of registers are exposed. These allow multi-touch detection (up to 5 touches).

4.8.2 Compatibility Mode

The CTSE reads the X and Y coordinates from the CTPM and writes to register REG_CTOUCH_RAW_XY. If the touch screen is not being pressed, both registers read 65535 (FFFFh). These touch values are transformed into screen coordinates using the matrix in registers REG_CTOUCH_TRANSFORM_A-F. The post-transform coordinates are available in register REG_CTOUCH_SCREEN_XY. If the touch screen is not being pressed, both registers read -32768 (8000h). The values for REG_CTOUCH_TRANSFORM_A-F may be computed using an on-screen calibration process.

If the screen is being touched, the screen coordinates are looked up in the screen's tag buffer, delivering a final 8-bit tag value, in REG_TOUCH_TAG. Because the tag lookup takes a full frame, and touch coordinates change continuously, the original (x; y) used for the tag lookup is also available in REG_TOUCH_TAG_XY.

4.8.3 Extended Mode

Setting REG_CTOUCH_EXTENDED to 1b'0 enables extended mode. In extended mode a new set of readout registers are available, allowing gestures and up to five touches to be read. There are two classes of registers: control registers and status registers. Control registers are written by the MCU. Status registers can be read out by the MCU and the BT817A's hardware tag system.

The five touch coordinates are packed in REG_CTOUCH_TOUCH0_XY, REG_CTOUCH_TOUCH1_XY, REG_CTOUCH_TOUCH2_XY, REG_CTOUCH_TOUCH3_XY, REG_CTOUCH4_X and REG_CTOUCH4_Y.

Coordinates stored in these registers are signed 16-bit values, so have a range of -32768 to 32767. The no-touch condition is indicated by x=y= -32768. These coordinates are already transformed into screen coordinates based on the raw data read from the CTPM, using the matrix in registers REG_CTOUCH_TRANSFORM_A-F. To obtain raw (x,y) coordinates read from CTPM, the user sets the REG_CTOUCH_TRANSFORM_A-F registers to the identity matrix.

The BT817A tag mechanism is implemented by hardware, where up to 5 tags can be looked up.

In touch extended mode, the INT_TOUCH bit in REG_INT_FLAG register will not be set upon touch down event. It is recommended to use INT_CONV_COMPLETE bit instead.

4.8.4 Capacitive Touch Configuration

On a capacitive touch system some users may need to adjust the CTPM default values, such as the registers affecting touch sensitivity. To do this the following sequence shall be executed once after chip reset:

- Hold the touch engine in reset (set REG_CPURESET = 2)
- Write the CTPM configure register address and value to the BT817A designated memory location
- Up to 10 register address/value can be added
- Release the touch engine reset (set REG_CPURESET = 0)

Sample codes are listed below for configuring Focaltech touch controller:

```
#define FW_RD(a) VC.rd16(RAM_JTBOOT + 2 * (a))
#define FW_WR(a, v) VC.wr16(RAM_JTBOOT + 2 * (a), (v))

void init_custom_touch(size_t num_regs, uint8_t *reg_value)
{
    while (VC.rd(REG_CPURESET) != 0)
        ;
    VC.wr(REG_CPURESET, 2);
}
```

```

uint16_t main = FW_RD(0) & 0xffff;
uint16_t i_set = 0x4000 | (main - 4);
uint16_t patch = main + 1;
uint16_t i_eol = FW_RD(patch);

while (num_regs--) {
    uint8_t reg = *reg_value++;
    uint8_t val = *reg_value++;
    FW_WR(patch++, 0x8000 | val);
    FW_WR(patch++, 0x8000 | reg);
    FW_WR(patch++, i_set);
}
FW_WR(patch, i_eol);

VC.wr(REG_CPURESET, 0);
}
    
```

The CTPM can be enabled in low power state when the touch function is not required by the application. Setting the low-power bit in REG_TOUCH_CONFIG will enable the low power mode of the CTPM. When the low-power bit is cleared, the BT817A touch engine will send a reset to the CTPM, thus re-enabling the touch detection function.

4.8.5 Host Driven Multi-Touch

If the host MCU can provide touch inputs, it can supply them directly to the BT817A using touch host mode. By using touch host mode, an application can choose to select a touch controller that is not in the BT817A direct support list. For example, Touch Host mode would allow controllers to be used from other manufacturers beyond Focaltech and Goodix.

To use the touch host mode, the host MCU shall be connected to the touch panel directly. The four touch related pins of the BT817A can be left unconnected on the PCB. The host MCU is responsible for communicating with the touch controller, fetching the touch data when reported, and writing the touch data to the BT817A for touch TAG lookup and reporting.

The touch host mode can be entered by setting bit 14 in register REG_TOUCH_CONFIG and resetting the touch engine:

- Hold the touch engine in reset (set REG_CPURESET = 2)
- Write 1 to bit 14 in REG_TOUCH_CONFIG (set REG_TOUCH_CONFIG = 0x4000)
- Release the touch engine reset (set REG_CPURESET = 0)

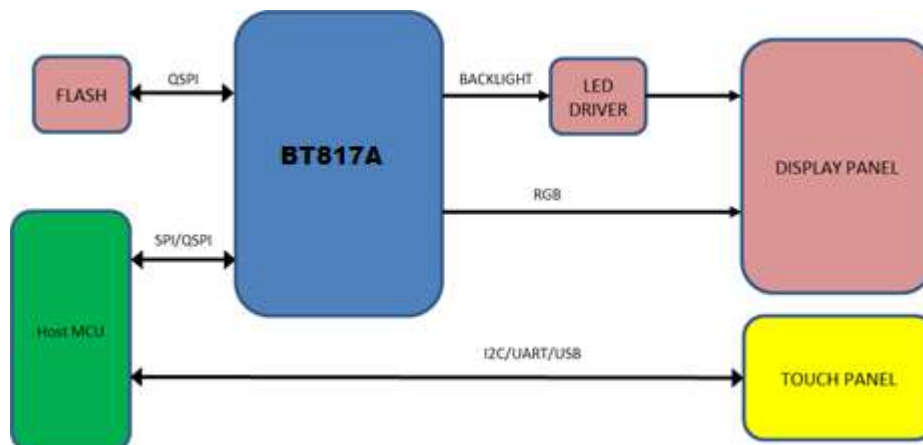


Figure 4-8 Touch Host Mode Connections

In touch host mode, the host supplies touch information via four registers:

BT817 address	Register Name	Bits	Description
---------------	---------------	------	-------------

0x30210c	REG_EHOST_TOUCH_X	Unsigned 16-bit	Touch x coordinate
0x302118	REG_EHOST_TOUCH_Y	Unsigned 16-bit	Touch y coordinate
0x302114	REG_EHOST_TOUCH_ID	4-bit	Touch ID / phase
0x302170	REG_EHOST_TOUCH_ACK	4-bit	Acknowledgement

Table 4-20 Registers for Touch Host Mode

The host writes raw (x; y) coordinates and IDs to the above registers. Up to 5 touches can be set, using touch IDs 0-4. The host indicates no touch by supplying coordinates (0x8000; 0x8000). When the host writes 0xf to the ID register, BT817A sets the ACK register to 0, transforms all the raw coordinates, and writes the results to the regular touch registers.

Pseudocode:

*wait until REG_EHOST_TOUCH_ACK is 1
for each touch:*

*write x coordinate to REG_EHOST_TOUCH_X
write y coordinate to REG_EHOST_TOUCH_Y
write id to REG_EHOST_TOUCH_ID
write 0xf to REG_EHOST_TOUCH_ID*

As soon as BT817A has converted the coordinates, it writes 1 to the ACK register and sets the INT_CONV_COMPLETE interrupt flag.

The ID should be zero in touch compatibility mode. The host should indicate no touch at all by writing (0x8000; 0x8000) with ID 0.

In extended mode, the multiple touches may be sent in any order. Any IDs not assigned are assumed to be not pressed. Again, the host should indicate no touch at all by writing (0x8000; 0x8000) with ID 0.

The host can use three methods to ensure that BT817A is ready to accept touch inputs:

1. poll the ACK register until it is 1
2. use the INT_CONV_COMPLETE interrupt flag
3. supply touches slower than 1000 Hz, since BT817A guarantees to process the touches in under 1 ms. Note that report rates from capacitive touch panels are about 100 Hz

Like the direct capacitive driver, this touch host mode works when REG_CTOUCH_EXTENDED is both CTOUCH_MODE_EXTENDED and CTOUCH_MODE_COMPATIBILITY. CTOUCH_MODE_COMPATIBILITY should be used for the calibration procedure, just as when using native capacitive support. After changing mode, the BT817A touch engine must be reset.

4.8.6 Touch Detection in none-ACTIVE State

When the BT817A is in non-ACTIVE state, a touch event can still be detected and reported to the host through the INT_N pin. In other words, a touch event can wake-up the host if needed.

For capacitive touch, the INT_N pin will follow CTP_INT_N pin when the BT817A is in STANDBY, SLEEP or POWERDOWN state.

4.9 Power Management

4.9.1 Power Supply

The BT817A may be operated with a single supply of 3.3V applied to VCC and VCCIO pins, and a supply of 1.28V applied to the VCC1V2 pins. For operation with a host MPU/MCU at a lower supply,

connect the VCCIO1 to the MPU IO supply to match the interface voltage. For operation with LCD/touch panels at lower voltages, connect the VCCIO2 to the LCD/touch IO supply.

Symbol	Typical	Description
VCCIO1	1.8V, or 2.5V, or 3.3V	Supply for Host interface digital I/O pins
VCCIO2	1.8V, or 2.5V, or 3.3V	Supply for RGB and touch interface I/O pins
VCCIO3	1.8V, or 2.5V, or 3.3V	Supply for NOR Flash interface I/O pins
VCCA	3.3V	Supply for AUDIO_L pin
VCC	3.3V	Supply for 3.3V circuits
VCC1V2	1.28V	Supply for digital core.

Table 4-21 Power Supply

4.9.2 Power-On-Reset(POR)

The internal circuit will generate a Power-On-Reset (POR) pulse when the supply voltage rises above the POR threshold. The POR will reset all the core digital circuits.

4.9.3 Power Modes

After the initial power up, the BT817A will stay in the SLEEP state. When needed, the host can set the BT817A to the ACTIVE state by performing a SPI ACTIVE command. To save power the host can send a command to put the BT817A into any of the low power modes: STANDBY, SLEEP and POWERDOWN. In addition, the host is allowed to put the BT817A in POWERDOWN mode from ACTIVE mode by driving the PD_N pin to low. Refer to Figure 4-9 for the power state transitions.

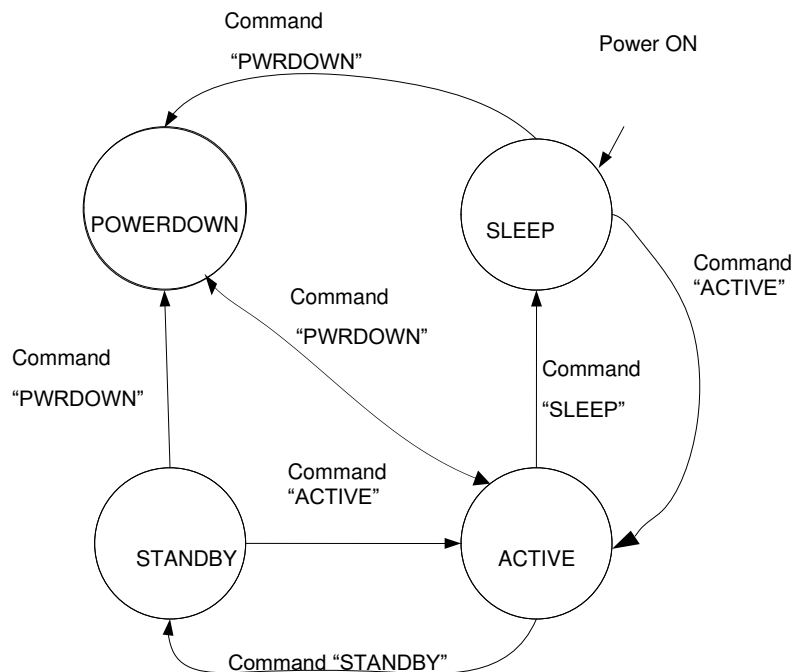


Figure 4-9 Power State Transition

4.9.3.1 ACTIVE state

In ACTIVE state, the BT817A is in normal operation. The clock oscillator and PLL are functioning. The system clock applied to the BT817A core engines is enabled.

4.9.3.2 STANDBY state

In STANDBY state, the clock oscillator and PLL remain functioning; the system clock applied to the BT817A core engines is disabled. All register contents are retained.

4.9.3.3 SLEEP state

In SLEEP state, the clock oscillator, PLL and system clock applied to the BT817A core engines are disabled. All register contents are retained.

4.9.3.4 POWERDOWN state

In POWERDOWN state, the clock oscillator, the PLL and the system clock applied to the BT817A core is disabled. The core engines are powered down while the SPI interface for host commands remains functional. All register contents are lost and reset to default when the chip is next switched on.

4.9.3.5 Wake up to ACTIVE from other power states

When in the POWERDOWN state, if the device enters this state via an SPI command, then only the SPI ACTIVE command will bring the device back to the ACTIVE state, provided PD_N pin is also high. However, if PD_N is used instead, then making PD_N high followed by a SPI ACTIVE command will wake up the device. Upon exiting this state, the device will perform a global reset, and will go through the same power up sequence. All settings from SPI commands will be reset except those that pertain to pin states during power down. The clock enable sequence mentioned in section 4.2.3 shall be executed to carefully select and enable the system clock.

From the SLEEP state, the host MPU sends an SPI ACTIVE command to wake the BT817A into the ACTIVE state. The host needs to wait for at least 20ms before accessing any registers or commands. This is to guarantee the clock oscillator and PLL are up and stable.

From the STANDBY state, the host MPU sends SPI ACTIVE command to wake the BT817A into the ACTIVE state. The host can immediately access any register or command.

4.9.4 Reset and Boot-up Sequence

There are a few hardware and software reset events which can be triggered to reset the BT817A. Hardware reset events:

- Power-on-Reset(POR)
- A low pulse of 5ms on PD_N pin (applicable when chip is in ACTIVE or STANDBY state)

Software reset events:

- SPI command RST_PULSE

After reset, the BT817A will be in the SLEEP state. Upon receiving the SPI ACTIVE command, the clock oscillator and PLL will start up. Once the clock is stable, the chip will check and repair its internal RAM, running the configuration and then entering into normal operations. The boot-up may take up to 300ms to complete. During boot up process, software should not access BT817A register or RAM except reading REG_ID and REG_CPURESET.

4.9.5 Pin Status at Different Power States

The BT817A pin status depends on the power state of the chip. See the following table for more details. At the power transition from ACTIVE to STANDBY or ACTIVE to SLEEP, all pins retain their previous status. The software needs to set AUDIO_L, BACKLIGHT to a known state before issuing power transition commands.

The pin status in the power down state can be changed by SPI command PIN_PD_STATE.

Pin Name	Default Drive Strength Degree	Reset	Normal	Power Down (Default)
AUDIO_L	DSD4	Out, Float	Out	Retain
SCK	-	In	In	In
MISO	DSD1	Out, Float (CS_N = 1)	IO	Out, Float
MOSI	DSD1	In	IO	In
CS_N	-	In	In	In
IO2 GPIO0	DSD1	In In	IO IO	Float Float
IO3 GPIO1	DSD1	In In	IO IO	Float Float
GPIO2	DSD1	In	IO	Float
INT_N	DSD1	OD, Float	OD / Out	Float
PD_N	-	In	In	In
GPIO3	DSD1	In	IO	Float
SPIM_SCLK	DSD1	Float	Out	Float
SPIM_MISO	DSD1	Float	IO	Float
SPIM_MOSI	DSD1	Float	IO	Float
SPIM_SS_N	DSD1	Float	Out	Float
SPIM_IO2	DSD1	Float	IO	Float
SPIM_IO3	DSD1	Float	IO	Float
X1/CLK	-	In	In	In
X2		Out	Out	High
CTP_RST_N	DSD1	Low	Out	Pull Low
CTP_INT_N	DSD1	In	IO	In
CTP_SCL	DSD4	OD	I/OD	Float
CTP_SDA	DSD4	OD	I/OD	Float
BACKLIGHT	DSD1	Low	Out	Pull Low
DE	DSD1	Low	Out	Pull Low
VSYNC	DSD1	Low	Out	Pull Low
HSYNC	DSD1	Low	Out	Pull Low
DISP	DSD1	Low	Out	Pull Low
PCLK	DSD1	Low	Out	Pull Low
R/G/B	DSD1	Low	Out	Pull Low

Table 4-22 Pin Status

5 Memory Map

All memory and registers in the BT817A core are memory mapped in 22-bit address space with a 2-bit SPI command prefix. Prefix 0'b00 for read and 0'b10 for write to the address space, 0'b01 is reserved for Host Commands and 0'b11 undefined. The following are the memory space definition.

Start Address	End Address	Size	NAME	Description
00 0000h	0F FFFFh	1024 kB	RAM_G	General purpose graphics RAM
20 0000h	2F FFFFh	640 kB	ROM	ROM codes, font table and bitmap
30 0000h	30 1FFFh	8 kB	RAM_DL	Display List RAM
30 2000h	30 2FFFh	4 kB	RAM_REG	Registers
30 8000h	30 8FFFh	4 kB	RAM_CMD	Command buffer
30 9800h	30 98FFh	128 B	RAM_ERR_REPORT	Coprocessor fault report RAM
30 B000h	30 B7FFh	2 kB	RAM_JTBOOT	Touch control codes
80 0000h	107F FFFFh	256 MB	FLASH	External NOR flash memory. Maximum 256MB. The address is used by internal command only.

Table 5-1 BT817A Memory Map

Note 1: The addresses beyond this table are reserved and shall not be read or written unless otherwise specified.

5.1 Registers

Table 5-2 shows the complete list of the BT817A registers. Refer to [BT81X Series Programming Guide](#), Chapter 3 for details of the register function.

Address (hex)	Register Name	Bits	r/w	Reset value	Description
302000h	REG_ID	8	r/o	7Ch	Identification register, always reads as 7Ch
302004h	REG_FRAMES	32	r/o	0	Frame counter, since reset
302008h	REG_CLOCK	32	r/o	0	Clock cycles, since reset
30200Ch	REG_FREQUENCY	28	r/w	48000000	Main clock frequency (Hz). Firmware sets to 60000000 at boot.
302010h	REG_RENDERMODE	1	r/w	0	Rendering mode: 0 = normal, 1 = single-line
302014h	REG_SNAPY	11	r/w	0	Scanline select for RENDERMODE 1
302018h	REG_SNAPSHOT	1	r/w	-	Trigger for RENDERMODE 1
30201Ch	REG_SNAPFORMAT	6	r/w	20h	Pixel format for scanline readout
302020h	REG_CPURESET	3	r/w	2	Graphics, audio, and touch engines reset control. Bit2: audio, bit1: touch, bit0: graphics
302024h	REG_TAP_CRC	32	r/o	-	Live video tap crc. Frame CRC is computed every DL SWAP.
302028h	REG_TAP_MASK	32	r/w	FFFFFFFFh	Live video tap mask
30202Ch	REG_HCYCLE	12	r/w	224h	Horizontal total cycle count
302030h	REG_HOFFSET	12	r/w	02Bh	Horizontal display start offset
302034h	REG_HSIZE	12	r/w	1E0h	Horizontal display pixel count
302038h	REG_HSYNC0	12	r/w	000h	Horizontal sync fall offset
30203Ch	REG_HSYNC1	12	r/w	029h	Horizontal sync rise offset
302040h	REG_VCYCLE	12	r/w	124h	Vertical total cycle count
302044h	REG_VOFFSET	12	r/w	00Ch	Vertical display start offset
302048h	REG_VSIZE	12	r/w	110h	Vertical display line count
30204Ch	REG_VSYNC0	10	r/w	000h	Vertical sync fall offset
302050h	REG_VSYNC1	10	r/w	00Ah	Vertical sync rise offset

Address (hex)	Register Name	Bits	r/w	Reset value	Description
302054h	REG_DLSWAP	2	r/w	0	Display list swap control
302058h	REG_ROTATE	3	r/w	0	Screen rotation control. Allow normal/mirrored/inverted for landscape or portrait orientation.
30205Ch	REG_OUTBITS	9	r/w	0	Output bit resolution, 3 register bits each for R/G/B data pins. 0 indicates 8 bits, 1-7 indicates 1-7 bits, respectively.
302060h	REG_DITHER	1	r/w	1	Output dither enable
302064h	REG_SWIZZLE	4	r/w	0	Output RGB signal swizzle
302068h	REG_CSPREAD	1	r/w	1	Output clock spreading enable
30206Ch	REG_PCLK_POL	1	r/w	0	PCLK polarity: 0: RGB output changes on PCLK falling edge, 1: RGB output changes on PCLK rising edge
302070h	REG_PCLK	8	r/w	0	PCLK frequency divider 0: disable 1: EXTSYNC mode 2-255: divider from system clock
302074h	REG_TAG_X	11	r/w	0	Tag query X coordinate
302078h	REG_TAG_Y	11	r/w	0	Tag query Y coordinate
30207Ch	REG_TAG	8	r/o	0	Tag query result
302080h	REG_VOL_PB	8	r/w	FFh	Volume for playback
302084h	REG_VOL_SOUND	8	r/w	FFh	Volume for synthesizer sound
302088h	REG_SOUND	16	r/w	0	Sound effect select
30208Ch	REG_PLAY	1	r/w	0h	Start effect playback
302090h	REG_GPIO_DIR	8	r/w	80h	Legacy GPIO pin direction, 0 = input, 1 = output
302094h	REG_GPIO	8	r/w	00h	Legacy GPIO read/write
302098h	REG_GPIOX_DIR	16	r/w	8000h	Extended GPIO pin direction, 0 = input, 1 = output
30209Ch	REG_GPIOX	16	r/w	0080h	Extended GPIO read/write
3020A0h - 3020A4h	Reserved	-	-	-	Reserved
3020A8h	REG_INT_FLAGS	9	r/o	000h	Interrupt flags, clear by read
3020ACh	REG_INT_EN	1	r/w	0	Global interrupt enable, 1=enable
3020B0h	REG_INT_MASK	9	r/w	1FFh	Individual interrupt enable, 1=enable. Firmware sets to fffh at boot.
3020B4h	REG_PLAYBACK_START	20	r/w	0	Audio playback RAM start address
3020B8h	REG_PLAYBACK_LENGTH	20	r/w	0	Audio playback sample length (bytes)
3020BCh	REG_PLAYBACK_READPTR	20	r/o	-	Audio playback current read pointer
3020C0h	REG_PLAYBACK_FREQ	16	r/w	8000	Audio playback sampling frequency (Hz)
3020C4h	REG_PLAYBACK_FORMAT	2	r/w	0	Audio playback format
3020C8h	REG_PLAYBACK_LOOP	1	r/w	0	Audio playback loop enable
3020CCh	REG_PLAYBACK_PLAY	1	r/w	0	Start audio playback
3020D0h	REG_PWM_HZ	14	r/w	250	BACKLIGHT PWM output frequency (Hz)
3020D4h	REG_PWM_DUTY	8	r/w	128	BACKLIGHT PWM output duty cycle 0=0%, 128=100%
3020D8h	REG_MACRO_0	32	r/w	0	Display list macro command 0
3020DCh	REG_MACRO_1	32	r/w	0	Display list macro command 1

Address (hex)	Register Name	Bits	r/w	Reset value	Description
3020E0h – 3020F4h	Reserved	-	-	-	Reserved
3020F8h	REG_CMD_READ	12	r/w	0	Command buffer read pointer
3020FCh	REG_CMD_WRITE	12	r/o	0	Command buffer write pointer
302100h	REG_CMD_DL	13	r/w	0	Command display list offset
302104h	REG_TOUCH_MODE	2	r/w	3	Touch-screen sampling mode
302108h	REG_CTOUCH_EXTENDED	1	r/w	1	Set capacitive touch operation mode: 0: extended mode (multi-touch) 1: FT800 compatibility mode (single touch).
30210Ch	REG_EHOST_TOUCH_X	16	r/w	9000	Touch host mode: touch x value updated by host
302110h	Reserved	-	-	-	Reserved
302114h	REG_EHOST_TOUCH_ID	4	r/w	7	Touch host mode: touch ID, 0-4
302118h	REG_EHOST_TOUCH_Y	16	r/w	FFFFh	Touch host mode: touch x value updated by host
30211Ch	REG_CTOUCH_TOUCH1_X Y	32	r/o	-	Compatibility mode: touch-screen raw (x-MSB16; y-LSB16) Extended mode: touch-screen screen data for touch 1 (x-MSB16; y-LSB16)
302120h	REG_CTOUCH_TOUCH4_Y	16	r/o	-	Extended mode: touch-screen screen Y data for touch 4
302124h	REG_CTOUCH_TOUCH0_X Y	32	r/o	-	Compatibility mode: touch-screen screen (x-MSB16; y-LSB16) Extended mode: touch-screen screen data for touch 0 (x-MSB16; y-LSB16)
302128h	REG_TOUCH_TAG_XY	32	r/o	-	Touch-screen screen (x-MSB16; y-LSB16) used for tag 0 lookup
30212Ch	REG_TOUCH_TAG	8	r/o	-	Touch-screen tag result 0
302130h	REG_TOUCH_TAG1_XY	32	r/o	-	Touch-screen screen (x-MSB16; y-LSB16) used for tag 1 lookup
302134h	REG_TOUCH_TAG1	8	r/o	-	Touch-screen tag result 1
302138h	REG_TOUCH_TAG2_XY	32	r/o	-	Touch-screen screen (x-MSB16; y-LSB16) used for tag 2 lookup
30213Ch	REG_TOUCH_TAG2	8	r/o	-	Touch-screen tag result 2
302140h	REG_TOUCH_TAG3_XY	32	r/o	-	Touch-screen screen (x-MSB16; y-LSB16) used for tag 3 lookup
302144h	REG_TOUCH_TAG3	8	r/o	-	Touch-screen tag result 3
302148h	REG_TOUCH_TAG4_XY	32	r/o	-	Touch-screen screen (x-MSB16; y-LSB16) used for tag 4 lookup
30214Ch	REG_TOUCH_TAG4	8	r/o	-	Touch-screen tag result 4
302150h	REG_TOUCH_TRANSFORM_A	32	r/w	00010000h	Touch-screen transform coefficient (s15.16)
302154h	REG_TOUCH_TRANSFORM_B	32	r/w	00000000h	Touch-screen transform coefficient (s15.16)
302158h	REG_TOUCH_TRANSFORM_C	32	r/w	00000000h	Touch-screen transform coefficient (s15.16)
30215Ch	REG_TOUCH_TRANSFORM_D	32	r/w	00000000h	Touch-screen transform coefficient (s15.16)
302160h	REG_TOUCH_TRANSFORM_E	32	r/w	00010000h	Touch-screen transform coefficient (s15.16)
302164h	REG_TOUCH_TRANSFORM_F	32	r/w	00000000h	Touch-screen transform coefficient (s15.16)

Address (hex)	Register Name	Bits	r/w	Reset value	Description
302168h	REG_TOUCH_CONFIG	16	r/w	0381h	Touch configuration. I2C address, low-power mode, touch host mode
30216Ch	REG_CTOUCH_TOUCH4_X	16	r/o	-	Extended mode: touch-screen screen X data for touch 4
302170h	REG_EHOST_TOUCH_ACK	4	r/w	0	Touch host mode: acknowledgement
302174h - 302184h	Reserved	-	-	-	Reserved
302188h	REG_SPI_WIDTH	3	r/w	0	QSPI bus width setting Bit [2]: extra dummy cycle on read Bit [1:0]: bus width (0=1-bit, 1=2-bit, 2=4-bit)
30218Ch	REG_CTOUCH_TOUCH2_X Y	32	r/o	-	Extended mode: touch-screen screen data for touch 2 (x-MSB16; y-LSB16)
302190h	REG_CTOUCH_TOUCH3_X Y	32	r/o	-	Extended mode: touch-screen screen data for touch 3 (x-MSB16; y-LSB16)
302194h - 302560h	Reserved	-	-	-	Reserved
302564h	REG_DATESTAMP	12 8	r/o	-	Stamp date code
302574h	REG_CMDB_SPACE	12	r/w	FFCh	Command DL (bulk) space available
302578h	REG_CMDB_WRITE	32	w/o	0	Command DL (bulk) write
30257Ch	REG_ADAPTIVE_FRAMERATE	1	r/w	1	Reduce frame rate during complex drawing
3025ECh	REG_PLAYBACK_PAUSE	1	r/w	0	Audio playback control. 0: play, 1: pause
3025F0h	REG_FLASH_STATUS	2	r/w	0	Flash status. 0: INIT, 1: DETACHED, 2: BASIC, 3: FULL
3025F4h - 302608h	Reserved	-	-	-	Reserved
30260Ch	REG_UNDERRUN	32	r/o	-	Line underrun counter
302610h	REG_AH_HCYCLE_MAX	12	r/w	0	Adaptive Hsync: maximum horizontal total PCLK cycles. 0 means Adaptive Hsync is disabled.
302614h	REG_PCLK_FREQ	16	r/w	0	Fractional PCLK frequency/enable. Firmware sets to 08A1h at boot.
302618h	REG_PCLK_2X	1	r/w	0	Core scan out 2-pixel data per system clock
309000h	REG_TRACKER	32	r/w	0	Tracker register 0
309004h	REG_TRACKER_1	32	r/w	0	Tracker register 1
309008h	REG_TRACKER_2	32	r/w	0	Tracker register 2
30900Ch	REG_TRACKER_3	32	r/w	0	Tracker register 3
309010h	REG_TRACKER_4	32	r/w	0	Tracker register 4
309014h	REG_MEDIAFIFO_READ	32	r/o	-	Media FIFO read offset
309018h	REG_MEDIAFIFO_WRITE	32	r/w	0	Media FIFO write offset

Address (hex)	Register Name	Bits	r/w	Reset value	Description
309024h	REG_FLASH_SIZE	32	r/o	-	Detected flash capacity, in Mbytes
30902Ch	REG_ANIM_ACTIVE	32	r/o	-	32-bit mask of currently playing animations
30914Eh	REG_PLAY_CONTROL	8	r/w	0	Video playback control. 0: pause, 1: play, ffh: exit

Table 5-2 Overview of BT817A Registers

Note: All register addresses are 4-byte aligned. The value in the "Bits" column refers to the number of valid bits from bit 0 unless otherwise specified; other bits are reserved.

5.2 Chip ID

The BT817A Chip ID can be read at memory location C0000h – C0003h. The reset values of these bytes are:

- C0000h: 81h
- C0001h: 7Ah
- C0002h: 01h
- C0003h: 00h

Note that the Chip ID memory location is part of RAM_G, which can be over-written by the user software. A reset event defined in section 4.9.4 will bring back the Chip ID information in these memory locations.

6 Devices Characteristics and Ratings

6.1 Absolute Maximum Ratings

The absolute maximum ratings for the BT817A devices are as follows. These are in accordance with the Absolute Maximum Rating System (IEC 60134). Exceeding these may cause permanent damage to the device.

Parameter	Value	Unit
Storage Temperature	-65 to +150	°C
Floor Life (Out of Bag) At Factory Ambient (30°C / 60% Relative Humidity)	168 (IPC/JEDEC J-STD-033A MSL Level 3 Compliant)*	Hours
Ambient Temperature (Power Applied)	-40 to +105	°C
VCC Supply Voltage	0 to +4	V
VCCIO Supply Voltage	0 to +4	V
DC Input Voltage	-0.5 to + 5.5	V

Table 6-1 Absolute Maximum Ratings

* If the devices are stored out of the packaging, beyond this time limit, the devices should be baked before use. The devices should be ramped up to a temperature of +125°C and baked for up to 17 hours.

6.2 ESD and Latch-up Specifications

Description	Specification
Human Body Mode (HBM)	> ± 2kV
Charge Device mode (CDM)	> ± 500V
Latch-up	> ± 200mA

Table 6-2 ESD and Latch-Up Specifications

6.3 DC Characteristics

Typical condition refers to: VCC=3.3V, VCCIO=3.3V, VCC1V2=1.28V, Ta=25 °C, unless otherwise stated

Parameter	Description	Minimum	Typical	Maximum	Units	Conditions
VCCIO1/ VCCIO2/ VCCIO3	VCCIO operating supply voltage	1.62	1.8	1.98	V	Normal Operation
		2.25	2.5	2.75	V	
		3.0	3.3	3.6	V	
VCC/ VCCA	VCC operating supply voltage	3.0	3.3	3.6	V	Normal Operation
VCC1V2	core operating supply voltage	1.24	1.28	1.32	V	Normal Operation
Icc1	Core power Down current	-	0.2	-	mA	Power down mode
Icc2	Core sleep current	-	0.6	-	mA	Sleep Mode
Icc3	Core standby current	-	3.6	-	mA	Standby Mode
Icc4	Core operating current	-	30	-	mA	Normal Operation

Table 6-3 Operating Voltage and Current

Pin Group	drive strength	1.8V	2.5V	3.3V	Unit
Pin group A: R[7:0], G[7:0], B[7:0], PCLK, HSYNC, VSYNC, DE, DISP, BACKLIGHT, CTP_RST_N, CTP_INT_N, CTP_SCL, CTP_SDA	DSD1	1.2	2	2.5	mA
	DSD2	2.4	4	5	mA
	DSD3	3.6	6	7.5	mA
	DSD4	4.8	8	10	mA

Pin group B: MOSI, MISO, GPIO0/IO2, GPIO1/IO3, INT_N, GPIO2, GPIO3, AUDIO_L, SPIM_SCK, SPIM_MOSI, SPIM_MISO, SPIM_CS_N, SPIM_IO2, SPIM_IO3	DSD1	2.4	3.8	5	mA
	DSD2	4.8	7.6	10	mA
	DSD3	7.2	11.4	15	mA
	DSD4	9.6	15.2	20	mA

Table 6-4 Digital Output Pin Drive Strength

Parameter	Description	Minimum	Typical	Maximum	Units	Conditions
Voh	Output Voltage High	VCCIO-0.5	-	-	V	Ioh: refer to Table 6-4
Vol	Output Voltage Low	-	-	0.4	V	Iol: refer to Table 6-4
Vih	Input High Voltage	2.0	-	5.5	V	
Vil	Input Low Voltage	-	-	0.8	V	
Vth	Schmitt Hysteresis Voltage	0.22	-	0.3	V	
Iin	Input leakage current	-10	-	10	uA	Vin = VCCIO or 0
Ioz	Tri-state output leakage current	-10	-	10	uA	Vin = VCCIO or 0
Rpu	Pull-up resistor	-	42	-	kΩ	
Rpd	Pull-down resistor	-	44	-	kΩ	

Table 6-5 Digital I/O Pin Characteristics (VCCIO = +3.3V)

Parameter	Description	Minimum	Typical	Maximum	Units	Conditions
Voh	Output Voltage High	VCCIO-0.5	-	-	V	Ioh: refer to Table 6-4
Vol	Output Voltage Low	-	-	0.4	V	Iol: refer to Table 6-4
Vih	Input High Voltage	1.7	-	3.6	V	
Vil	Input Low Voltage	-	-	0.7	V	
Vth	Schmitt Hysteresis Voltage	0.2	-	0.3	V	
Iin	Input leakage current	-10	-	10	uA	Vin = VCCIO or 0
Ioz	Tri-state output leakage current	-10	-	10	uA	Vin = VCCIO or 0
Rpu	Pull-up resistor	-	57	-	kΩ	
Rpd	Pull-down resistor	-	59	-	kΩ	

Table 6-6 Digital I/O Pin Characteristics (VCCIO = +2.5V)

Parameter	Description	Minimum	Typical	Maximum	Units	Conditions
Voh	Output Voltage High	VCCIO-0.5	-	-	V	Ioh: refer to Table 6-4
Vol	Output Voltage Low	-	-	0.4	V	Iol: refer to Table 6-4
Vih	Input High Voltage	1.2	-	2.75	V	-
Vil	Input Low Voltage	-	-	0.6	V	-
Vth	Schmitt Hysteresis Voltage	0.17	-	0.3	V	-
Iin	Input leakage current	-10	-	10	uA	Vin = VCCIO or 0

Ioz	Tri-state output leakage current	-10	-	10	uA	Vin = VCCIO or 0
Rpu	Pull-up resistor	-	90	-	kΩ	
Rpd	Pull-down resistor	-	97	-	kΩ	

Table 6-7 Digital I/O Pin Characteristics (VCCIO = +1.8V)

6.4 AC Characteristics

6.4.1 System Clock and Reset

Parameter	Value			Units
	Minimum	Typical	Maximum	
Crystal				
Frequency	-	12.000	-	MHz
X1/X2 Capacitance	-	-	10	pF
Reset				
Reset pulse on PD_N (active state)	5			ms

Table 6-8 System Clock Characteristics

6.4.2 SPI Interface Timing

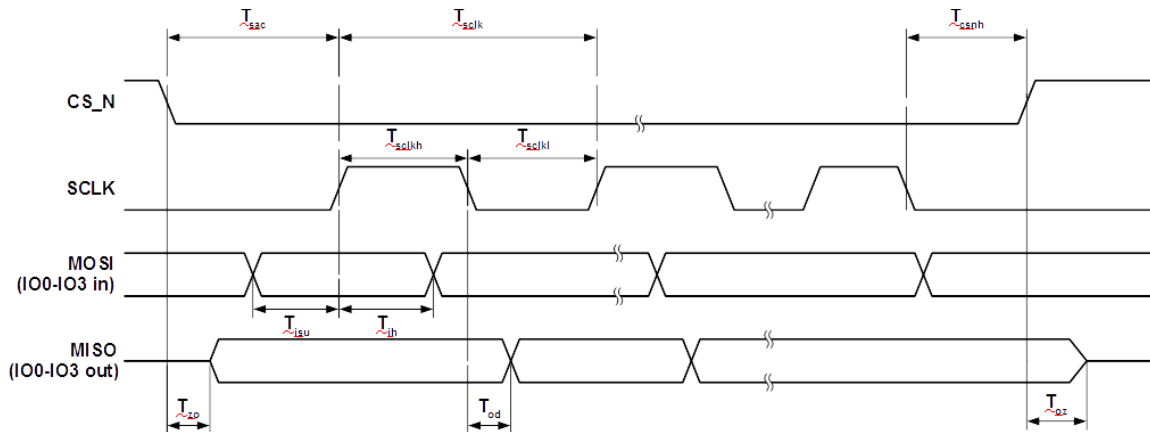


Figure 6-1 SPI Interface Timing

Parameter	Description	VCCIO=1.8V		VCCIO=2.5V		VCCIO=3.3V		Units
		Min	Max	Min	Max	Min	Max	
Tsclk	SPI clock period	33.3		33.3		33.3		Ns
Tsckl	SPI clock low duration	13		13		13		Ns
Tsckh	SPI clock high duration	13		13		13		Ns
Tsac	SPI access time	4		3.5		3		ns
Tisu	Input Setup	4		3.5		3		Ns
Tih	Input Hold	0		0		0		Ns
Tzo	Output enable delay		16		13		11	Ns
Toz	Output disable delay		13		11		10	Ns
Tod	Output data delay		15		12		11	Ns
Tcsnh	CSN hold time	0		0		0		Ns

Table 6-9 SPI Interface Timing Specifications

6.4.3 RGB Interface Timing

Parameter	Description	Value			Units
		Min	Typ	Max	
Tpclk	Pixel Clock period	10.4			ns
Td	Output delay relative to PCLK rising edge (REG_PCLK_POL=1) or falling edge (REG_PCLK_POL=0). Applied for all the RGB output pins.			4	Ns
Th	Output hold time relative to PCLK rising edge (REG_PCLK_POL=1) or falling edge (REG_PCLK_POL=0). Applied for all the RGB output pins.	0.5			Ns

Table 6-10 RGB Interface Timing Characteristics

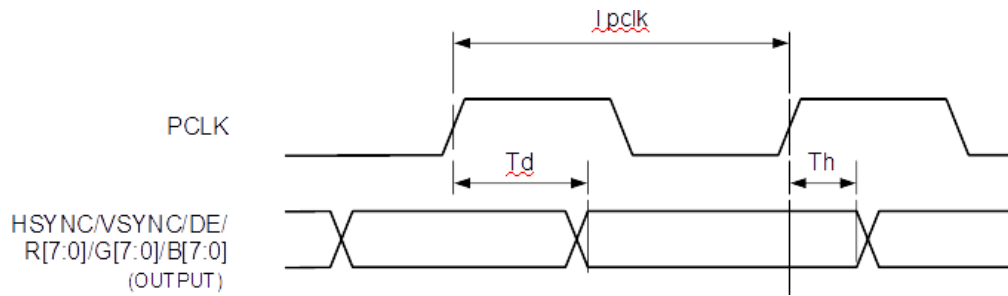


Figure 6-2 RGB Interface Timing

7 Application Examples

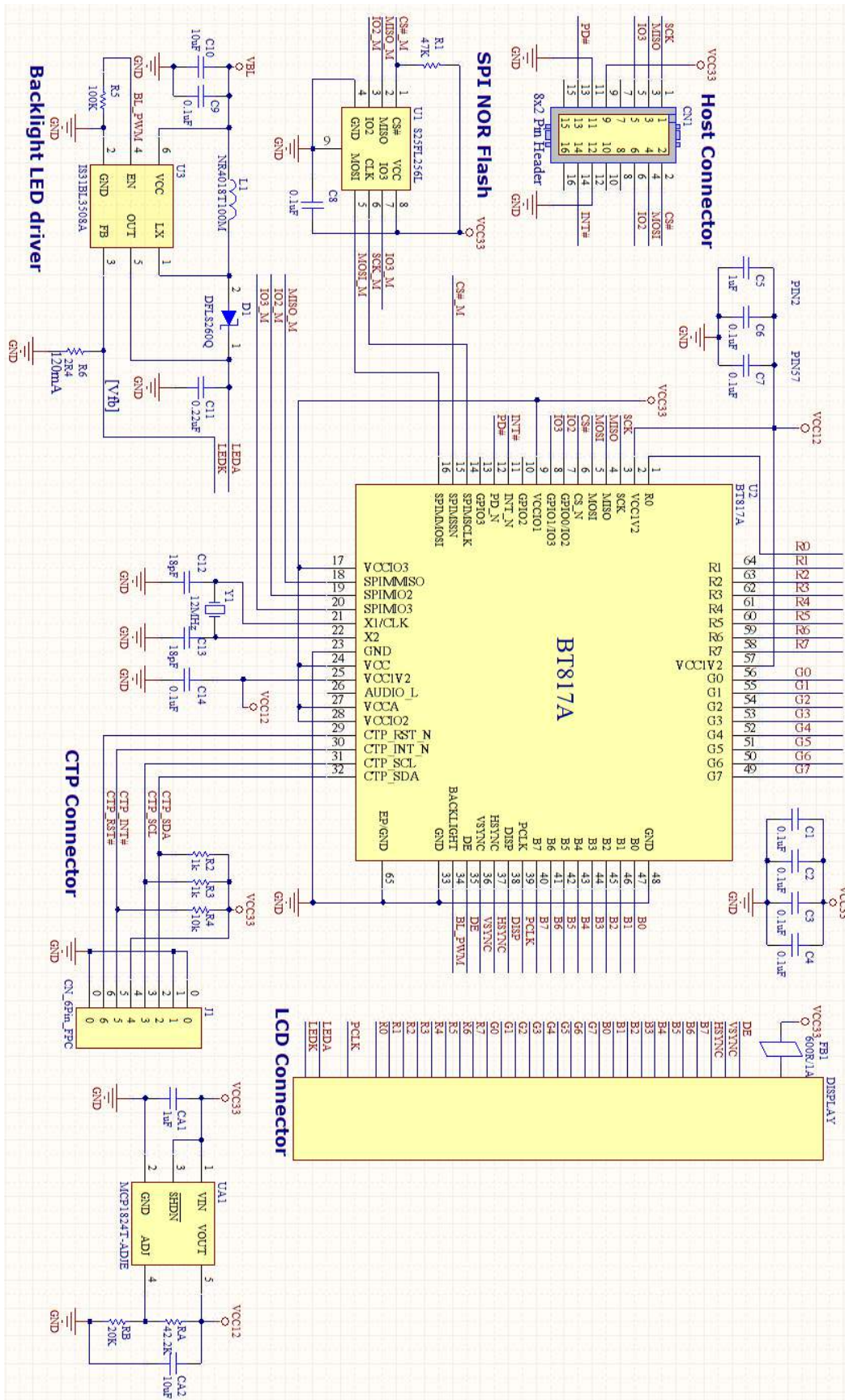


Figure 7-1 BT817A RGB application circuit

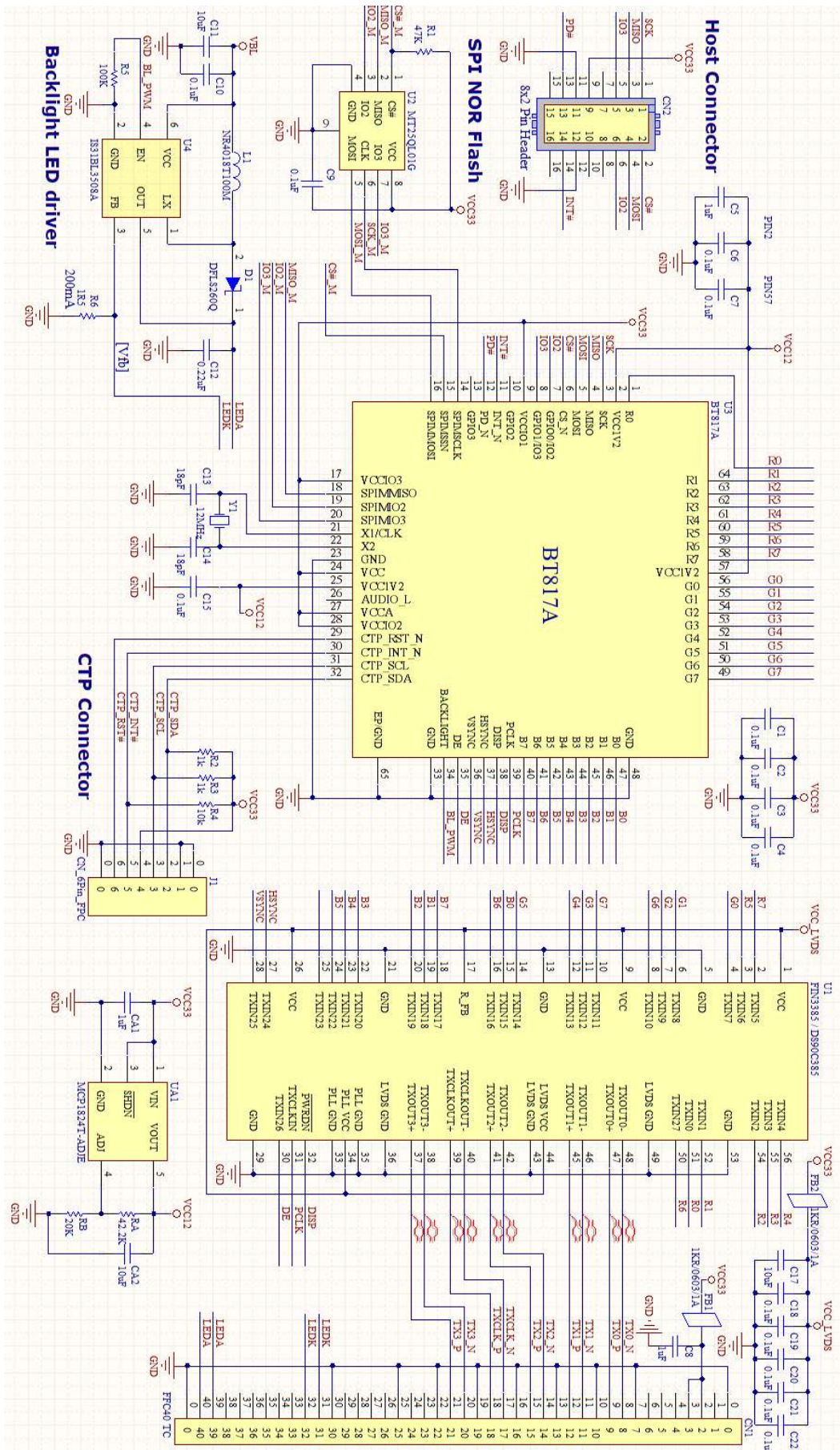


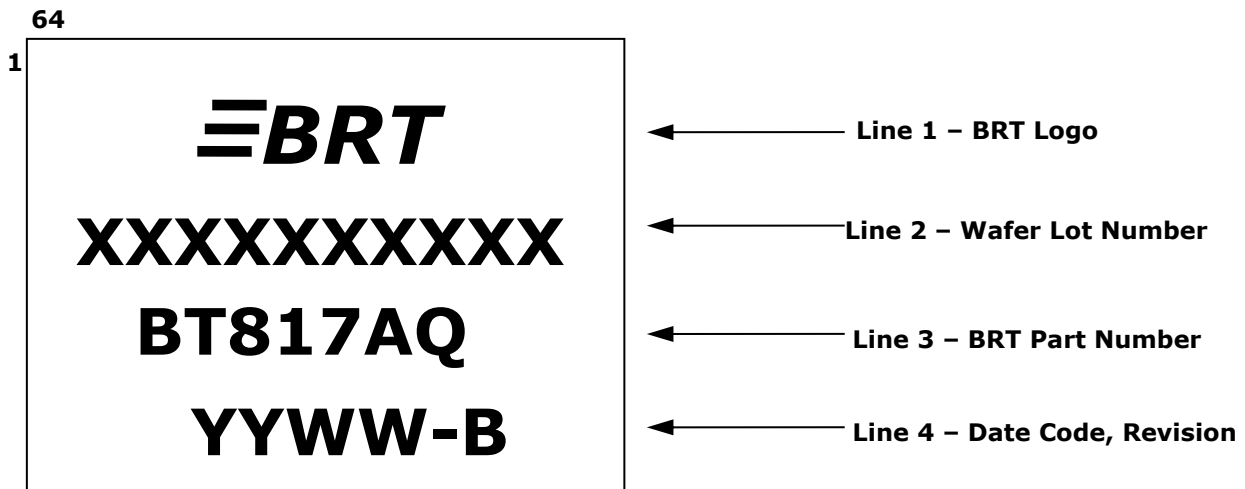
Figure 7-2 BT817A LVDS application circuit

8 Package Parameters

The BT817A is available in VQFN-64 package. The package dimensions, markings and solder reflow profile for all packages are described in following sections.

8.1 Part Markings

8.1.1 Top Side



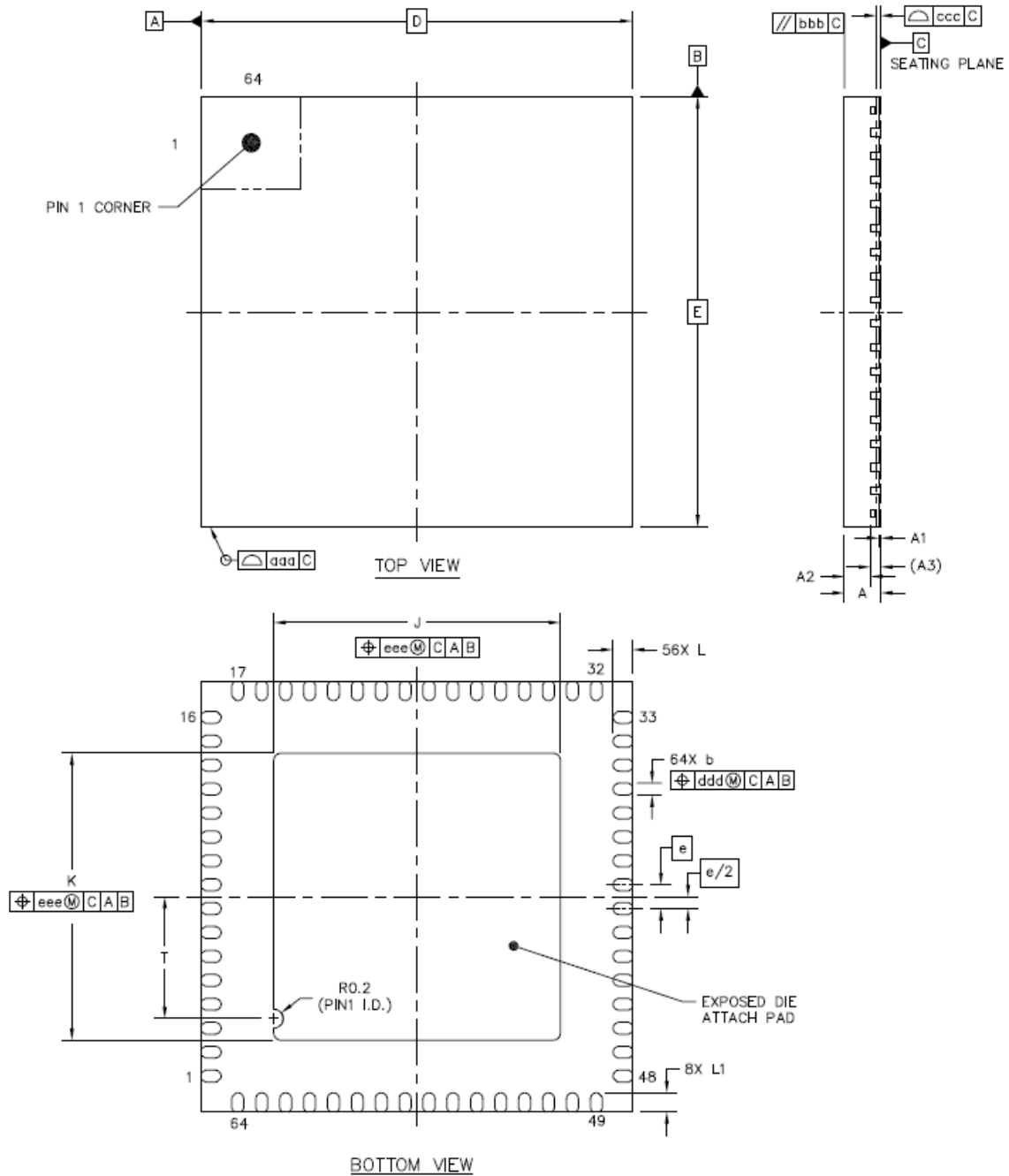
Notes:

1. YYWW = Date Code, where YY is year and WW is week number

8.1.2 Bottom Side

No markings should be placed on the bottom side.

8.2 VQFN-64 Package Dimensions



	A	A1	A3	b	D	E	J	K	e	L	L1	T
MIN.	0.7	0.00		0.2			5.9	5.9		0.35	0.3	2.45
NOM.	0.75	0.035	0.203	0.25	9	9	6	6	0.50	0.4	0.4	2.55
MAX.	0.8	0.05		0.3			6.1	6.1		0.45	0.45	2.65

Figure 8-1 VQFN-64 Package Dimensions

All dimensions are in millimetres (mm). Tolerance aaa/bbb/ccd/ddd/eee: 0.1.

8.3 Solder Reflow Profile

The recommended solder reflow profile for the package is shown in Figure 8-2.

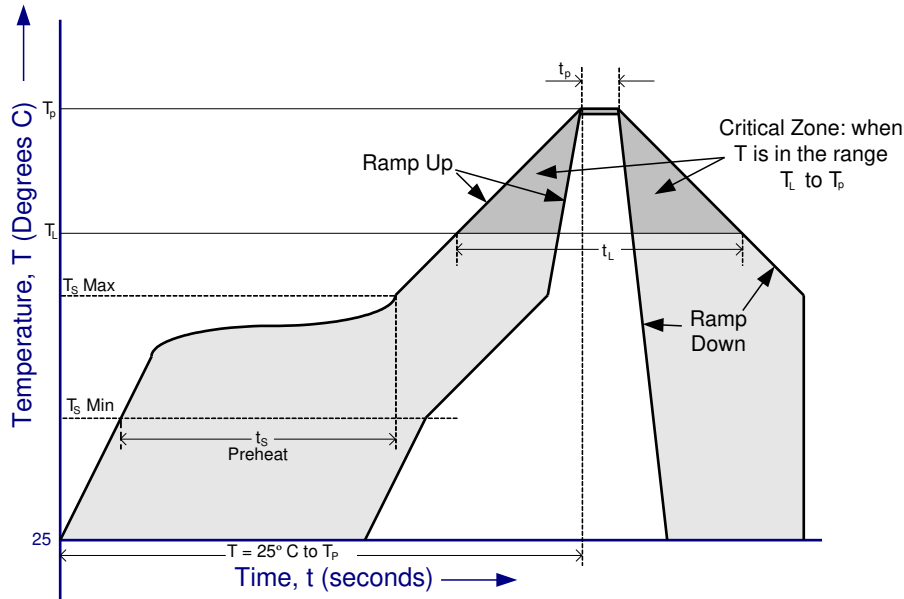


Figure 8-2 BT817A Solder Reflow Profile

The recommended values for the solder reflow profile are detailed in Figure 8-2. Values are shown for both a completely Pb free solder process (i.e., the BT817A is used with Pb free solder), and for a non-Pb free solder process (i.e., the BT817A is used with non-Pb free solder).

Profile Feature	Pb Free Solder Process	Non-Pb Free Solder Process
Average Ramp Up Rate (T_s to T_p)	3°C / second Max.	3°C / Second Max.
Preheat - Temperature Min (T_s Min.) - Temperature Max (T_s Max.) - Time (t_s Min to t_s Max)	150°C 200°C 60 to 120 seconds	100°C 150°C 60 to 120 seconds
Time Maintained Above Critical Temperature T_L : - Temperature (T_L) - Time (t_L)	217°C 60 to 150 seconds	183°C 60 to 150 seconds
Peak Temperature (T_p)	260°C	240°C
Time within 5°C of actual Peak Temperature (t_p)	20 to 40 seconds	20 to 40 seconds
Ramp Down Rate	6°C / second Max.	6°C / second Max.
Time for $T = 25^\circ\text{C}$ to Peak Temperature, T_p	8 minutes Max.	6 minutes Max.

Table 8-1 Reflow Profile Parameter Values

9 Contact Information

Head Quarters – Singapore

Bridgetek Pte Ltd
178 Paya Lebar Road, #07-03
Singapore 409030
Tel: +65 6547 4827
Fax: +65 6841 6071

E-mail (Sales) sales.apac@brtchip.com
E-mail (Support) support.apac@brtchip.com

Branch Office – Taipei, Taiwan

Bridgetek Pte Ltd, Taiwan Branch
2 Floor, No. 516, Sec. 1, Nei Hu Road, Nei Hu District
Taipei 114
Taiwan, R.O.C.
Tel: +886 (2) 8797 1330
Fax: +886 (2) 8751 9737

E-mail (Sales) sales.apac@brtchip.com
E-mail (Support) support.apac@brtchip.com

Branch Office - Glasgow, United Kingdom

Bridgetek Pte. Ltd.
Unit 1, 2 Seaward Place, Centurion Business Park
Glasgow G41 1HH
United Kingdom
Tel: +44 (0) 141 429 2777
Fax: +44 (0) 141 429 2758

E-mail (Sales) sales.emea@brtchip.com
E-mail (Support) support.emea@brtchip.com

Branch Office – Vietnam

Bridgetek VietNam Company Limited
Lutaco Tower Building, 5th Floor, 173A Nguyen Van
Troj,
Ward 11, Phu Nhuan District,
Ho Chi Minh City, Vietnam
Tel : 08 38453222
Fax : 08 38455222

E-mail (Sales) sales.apac@brtchip.com
E-mail (Support) support.apac@brtchip.com

Web Site

<http://brtchip.com/>

Distributor and Sales Representatives

Please visit the Sales Network page of the [Bridgetek Web site](#) for the contact details of our distributor(s) and sales representative(s) in your country.

System and equipment manufacturers and designers are responsible to ensure that their systems, and any Bridgetek Pte Ltd (BRT Chip) devices incorporated in their systems, meet all applicable safety, regulatory and system-level performance requirements. All application-related information in this document (including application descriptions, suggested Bridgetek devices and other materials) is provided for reference only. While Bridgetek has taken care to assure it is accurate, this information is subject to customer confirmation, and Bridgetek disclaims all liability for system designs and for any applications assistance provided by Bridgetek. Use of Bridgetek devices in life support and/or safety applications is entirely at the user's risk, and the user agrees to defend, indemnify, and hold harmless Bridgetek from any and all damages, claims, suits, or expense resulting from such use. This document is subject to change without notice. No freedom to use patents or other intellectual property rights is implied by the publication of this document. Neither the whole nor any part of the information contained in, or the product described in this document, may be adapted, or reproduced in any material or electronic form without the prior written consent of the copyright holder. Bridgetek Pte Ltd, 178 Paya Lebar Road, #07-03, Singapore 409030. Singapore Registered Company Number: 201542387H.

Appendix A – References

Document References

[BT81X Series Programming Guide](#)

[AN_252_FT800_Audio_Primer](#)

[AN_254_FT800_Designs_with_Visual_TFT](#)

[AN_259_FT800_Example_with_8-bit_MCU](#)

[AN_275_FT800_Example_with_Arduino](#)

[AN_276_Audio_File_Conversion](#)

[AN_277_FT800_Create_User_Defined_Font](#)

[AN_281_FT800_Emulator_Library_User_Guide](#)

[AN_291_FT800_Create_Multi-Language_Font](#)

[AN_303 - FT800 Image File Conversion](#)

[AN_308_FT800_Example_with_an_8-bit_MCU](#)

[AN_312_FT800_Example_with_ARM](#)

[AN_314_FT800_Advanced_Techniques - Working with Bitmaps](#)

[AN_318_Arduino_Library_for_FT800_Series](#)

[AN_320_FT800_Example_with_PIC](#)

[AN_327_EVE_Screen_Editor_Installation_Guide](#)

[AN_336_FT8xx - Selecting an LCD Display](#)

[FT800 Series Sample Application](#)

[EVE Frequently Asked Questions](#)

Acronyms and Abbreviations

Terms	Description
ADPCM	Adaptive Differential Pulse Code Modulation
ASCII	American Standard Code for Information Interchange
ASTC	Adaptive Scalable Texture Compression
CTPM	Capacitive Touch Panel Module
CTSE	Capacitive Touch Screen Engine
EVE	Embedded Video Engine
HMI	Human Machine Interfaces
I ² C	Inter-Integrated Circuit
LCD	Liquid Crystal Display
LED	Light Emitting Diode
MCU	Micro Controller Unit
MPU	Micro Processor Unit
PCM	Pulse Code Modulation
PLL	Phased Locked Loop
PWM	Pulse Width Modulation

WVGA	Wide Video Graphics Array
ROM	Read Only Memory
SPI	Serial Peripheral Interface
VQFN	Very Thin Quad Flat Non-Leaded Package

Appendix B - List of Figures and Tables

List of Figures

Figure 2-1 BT817A Block Diagram.....	3
Figure 2-2 BT817A System Design Diagram	3
Figure 3-1 Pin Configuration BT817A VQFN-64(Top View)	7
Figure 4-1 SPI Master and Slave in the Master Read Case.....	12
Figure 4-2 Single/Dual SPI Interface connection	12
Figure 4-3 Quad SPI Interface connection	13
Figure 4-4 Crystal Oscillator Connection	18
Figure 4-5 Flash Interface States	24
Figure 4-6 RGB Timing Waveforms.....	27
Figure 4-8 Touch Screen Connection	32
Figure 4-9 Touch Host Mode Connections.....	34
Figure 4-10 Power State Transition	36
Figure 6-1 SPI Interface Timing	46
Figure 6-2 RGB Interface Timing.....	47
Figure 7-1 BT817A RGB application circuit	48
Figure 7-2 BT817A LVDS application circuit.....	49
Figure 8-1 VQFN-64 Package Dimensions	51
Figure 8-2 BT817A Solder Reflow Profile	52

List of Tables

Table 3-1 BT817A Pin Description	10
Table 4-1 QSPI Channel Selection	11
Table 4-2 Host Memory Read Transaction	13
Table 4-3 Host Memory Write Transaction.....	14
Table 4-4 Host Command Transaction	14
Table 4-5 Host Command List	17
Table 4-6 Interrupt Flags bit assignment	18
Table 4-7 Font Table Format	20
Table 4-8 ROM Font Table.....	20
Table 4-9 ROM font ASCII character width in pixels.....	23
Table 4-10 ROM Font Extended ASCII Characters	23
Table 4-11 RGB PCLK Frequency in EXTSYNC mode	25
Table 4-12 RGB PCLK Frequency in Pass-Through mode	25
Table 4-13 REG_SWIZZLE RGB Pins Mapping	26
Table 4-14 Registers for RGB Horizontal and Vertical Timings.....	27
Table 4-15 Display mode	28
Table 4-16 Output Drive Current Selection.....	29
Table 4-17 Sound Effect	30

Table 4-18 MIDI Note Effect.....	31
Table 4-20 Capacitive Touch Controller Operating Mode	32
Table 4-21 Registers for Touch Host Mode	35
Table 4-22 Power Supply	36
Table 4-23 Pin Status.....	38
Table 5-1 BT817A Memory Map	39
Table 5-2 Overview of BT817A Registers	43
Table 6-1 Absolute Maximum Ratings.....	44
Table 6-2 ESD and Latch-Up Specifications	44
Table 6-3 Operating Voltage and Current.....	44
Table 6-4 Digital Output Pin Drive Strength.....	45
Table 6-5 Digital I/O Pin Characteristics (VCCIO = +3.3V)	45
Table 6-6 Digital I/O Pin Characteristics (VCCIO = +2.5V)	45
Table 6-7 Digital I/O Pin Characteristics (VCCIO = +1.8V)	46
Table 6-9 System Clock Characteristics	46
Table 6-10 SPI Interface Timing Specifications	46
Table 6-11 RGB Interface Timing Characteristics	47
Table 8-1 Reflow Profile Parameter Values	52

Appendix C - Revision History

Document Title: BT817A Automotive Advanced Video Engine Datasheet
Document Reference No.: BRT_000251
Clearance No.: BRT#194
Product Page: [Home - IC & Module \(brtchip.com\)](http://brtchip.com)
Document Feedback: [Send Feedback](#)

Revision	Changes	Date
1.0	Initial Release	25-04-2022