



Part Number: D3I0710N

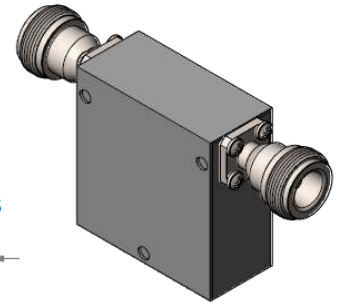
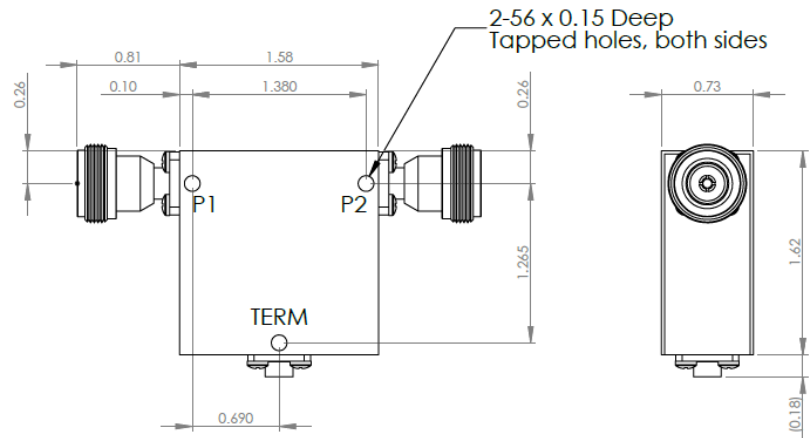
Electrical Specifications

| | |
|------------------------|-------------------|
| Frequency Range (GHz): | 0.698 – 1.000 |
| Isolation (dB): | 16 MIN |
| Insertion Loss (dB): | 0.6 MAX |
| VSWR: | 1.4:1 MIN |
| Forward Power (W): | 300 AVG 750 PK |
| Reflective Power (W): | 10 AVG |

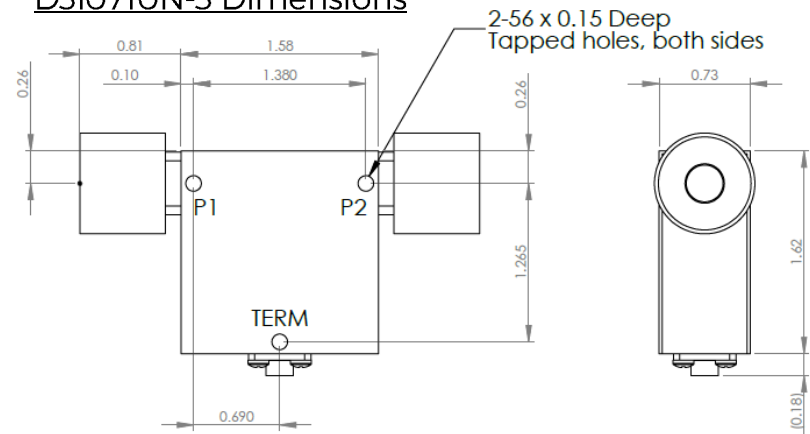
Mechanical/Environmental Specifications

| | |
|-------------------|---------------------|
| Connector Type: | Type-N |
| Connector Body: | Nickel plated brass |
| Connector Pin: | Gold plated copper |
| Load Body: | Brass |
| Magnetic Shunt: | Nickel plated CRS |
| Operational Temp: | -20°C to +65°C |
| Weight (oz) | 5.5 MAX |

D3I0710N Dimensions



D3I0710N-3 Dimensions



Dimensions are in inches
Tolerance

XX ±0.03
XXX ±0.010

| Type of Device | PN Suffix | Connector Configuration Input / Output | PN Example |
|---|-----------|---|------------|
| Single and Dual Junction Isolator, 2-Port Device Input / Output | N/A | Female / Female | D3I0710N |
| | -1 | Male / Female | D3I0710N-1 |
| | -2 | Female / Male | D3I0710N-2 |
| | -3 | Male / Male | D3I0710N-3 |



MEASURED DATA

Part Number: D310710N, +25°C

