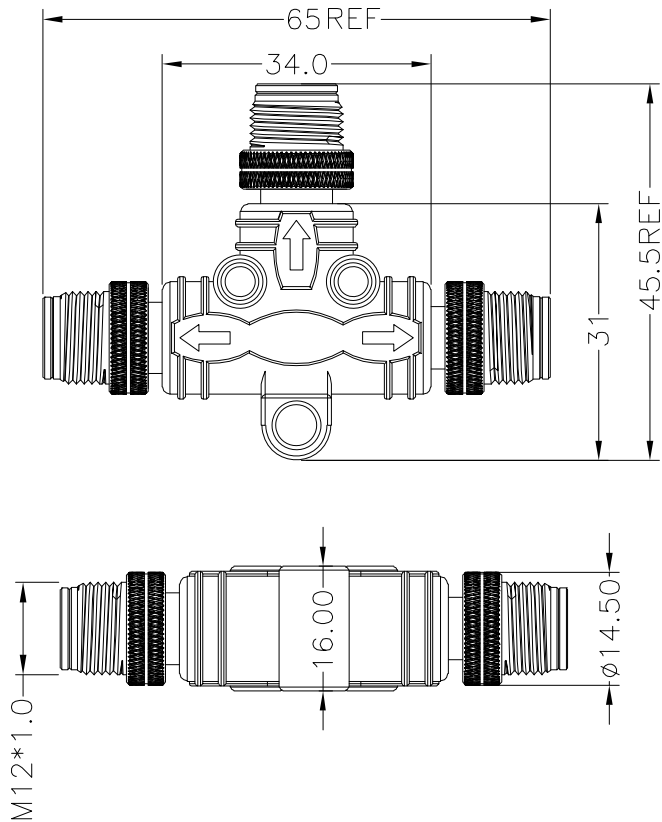


DESCRIPTION: M12 // T-SPLITTER // (3X) MALE



MALE

A04	A05	A08	D04	B05

NOTE:

MATERIAL

M12 INSULATOR	PA66, UL94V-0, BLACK
SPLITTER HOUSING	PVC, UL94V-0, BLACK
CONTACT	GOLD FLASH PLATED BRASS
NUT	NICKEL PLATED BRASS

ELECTRICAL

RATED CURRENT	2A(8P) / 4A(4/5P)
VOLTAGE	30V(8P) / 60V(5P) / 250V(4P)
INSULATOR RESISTANCE	100 MOhms MIN.
CONTACT RESISTANCE	10 mOhms MAX.
MATING CYCLES	100 CYCLES MIN

ENVIRONMENT

OPERATION TEMPERATURE	-40°C TO +85°C
IP RATING	IP67 (UNCOUPLED & COUPLED)

RECOMMENDED TORQUE

0.4Nm TO 0.8Nm

T58-YYY-MMMR001

SERIES

T58 = M12 T-SPLIT ADAPTER

CONTACT ARRANGEMENT

A04 = (3X) 4P A-CODE
 A05 = (3X) 5P A-CODE
 A08 = (3X) 8P A-CODE
 D04 = (3X) 4P D-CODE
 B05 = (3X) 5P B-CODE

GENDER

MMM = MALE / MALE / MALE

CONTACT PLATING

1 = GOLD FLASH

RoHS COMPLIANT



THESE DRAWINGS AND SPECIFICATIONS ARE THE PROPERTY OF NorComp AND SHALL NOT BE REPRODUCED, COPIED OR USED AS THE BASIS FOR THE MANUFACTURE OR SALE OF APPARATUS WITHOUT WRITTEN PERMISSION.

DRAWN:

J. KADEL

DATE:

12/20/2021

TOLERANCES
 .x ±0.5
 .xx ±0.2
 ANGULAR ±1°

UNITS = mm

DO NOT SCALE FROM DRAWING

NorComp

SCALE:
NTS

SHEET OF
1 1

REV
1

DWG NO.

T58-YYY-MMMR001