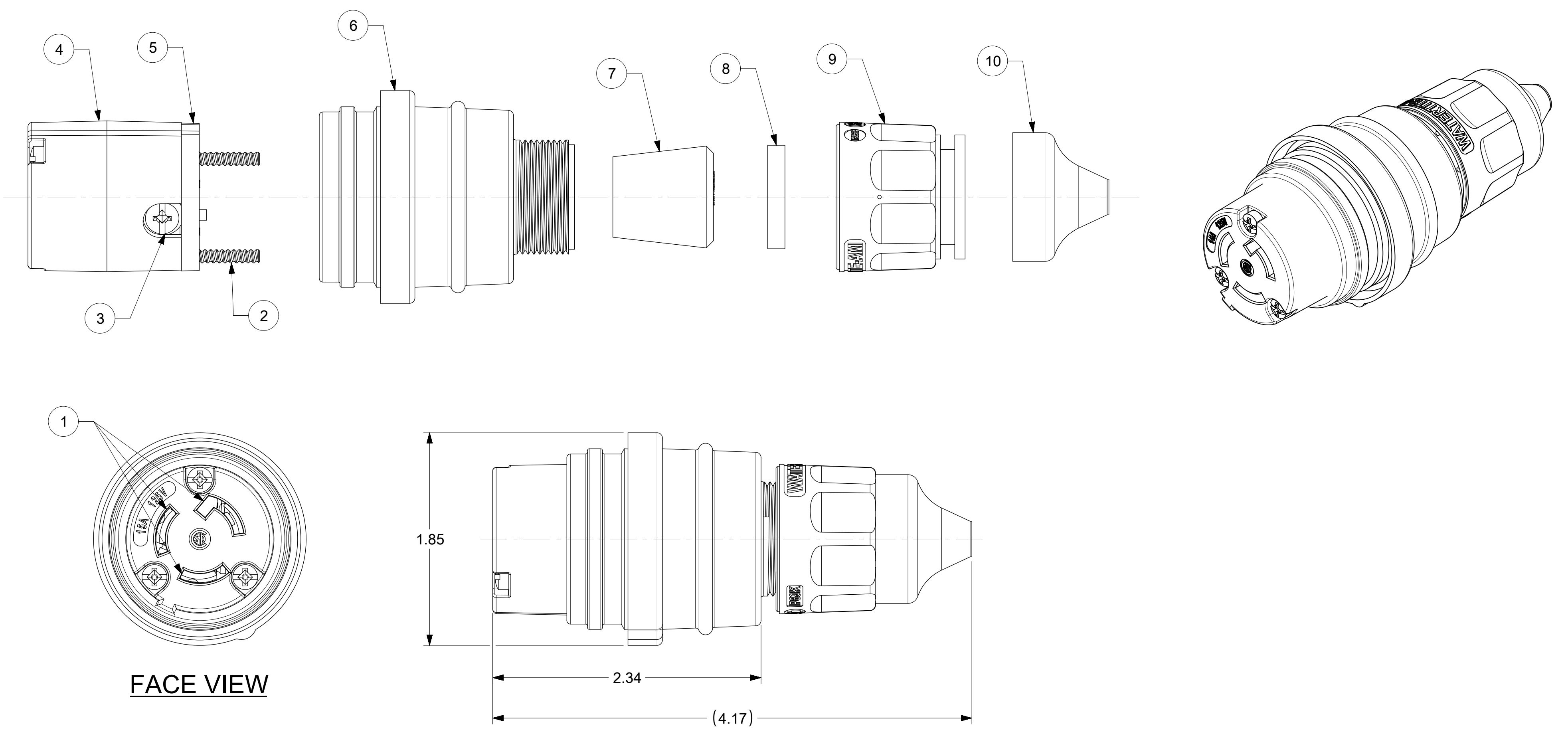


ORDER NO.	WOODHEAD NO.	COLOR
130146-0103	25W47MB	YELLOW



**FACE VIEW**

**NOTES:**  
 1. SEE INSTRUCTION SHEET NUMBER 1301414770 FOR PRODUCT SPECIFICATION.  
 2. CABLE RANGE FROM 0.375" TO 0.625"

ITEM NO.	DESCRIPTIONS	MATERIAL	QTY.
1	BLADES	BRASS	3
2	RETAINING SCREWS	STAINLESS STEEL	3
3	TERMINAL SCREWS	BRASS, ZINC PLATED	3
4	INSERT	NYLON	1
5	TERMINAL COVER	POLYCARBONATE	1
6	HOUSING	SILICONE WITH NYLON THREAD	1
7	GROMMETS	RUBBER	5
8	FRICTION RING	NYLON	1
9	COMPRESSION NUT	NYLON	1
10	CABLE GLOVE	SILICONE	1

SYMBOLS		THIS DRAWING CONTAINS INFORMATION THAT IS PROPRIETARY TO MOLEX ELECTRONIC TECHNOLOGIES, LLC AND SHOULD NOT BE USED WITHOUT WRITTEN PERMISSION	
▽ = 0	DIMENSION UNITS	SCALE	CURRENT REV DESC: RELEASED
▽ = 0	INCH	NTS	
▽ = 0	GENERAL TOLERANCES (UNLESS SPECIFIED)		
▽ = 0	ANGULAR TOL	± 0.5°	
▽ = 0	4 PLACES	±	EC NO: 613704
▽ = 0	3 PLACES	± 0.005	DRWN: VHANDI 2019/03/13
▽ = 0	2 PLACES	± 0.01	CHK'D: DNGUYEN62 2019/03/18
▽ = 0	1 PLACE	± 0.02	APPR: HKNEELAND 2019/03/21
▽ = 0	0 PLACES	±	INITIAL REVISION:
▽ = 0	DRAFT WHERE APPLICABLE MUST REMAIN WITHIN DIMENSIONS		DRWN: ABABU01 2018/11/30
▽ = 0	THIRD ANGLE PROJECTION		APPR: HKNEELAND 2019/03/02
	DRAWING SERIES		DOCUMENT NUMBER
	C-SIZE 130146		1301460103
	MATERIAL NUMBER		DOC TYPE
	SEE TABLE		PSD
	CUSTOMER		DOC PART
	GENERAL MARKET		000
	SHEET NUMBER		REVISION
	1 OF 1		A1