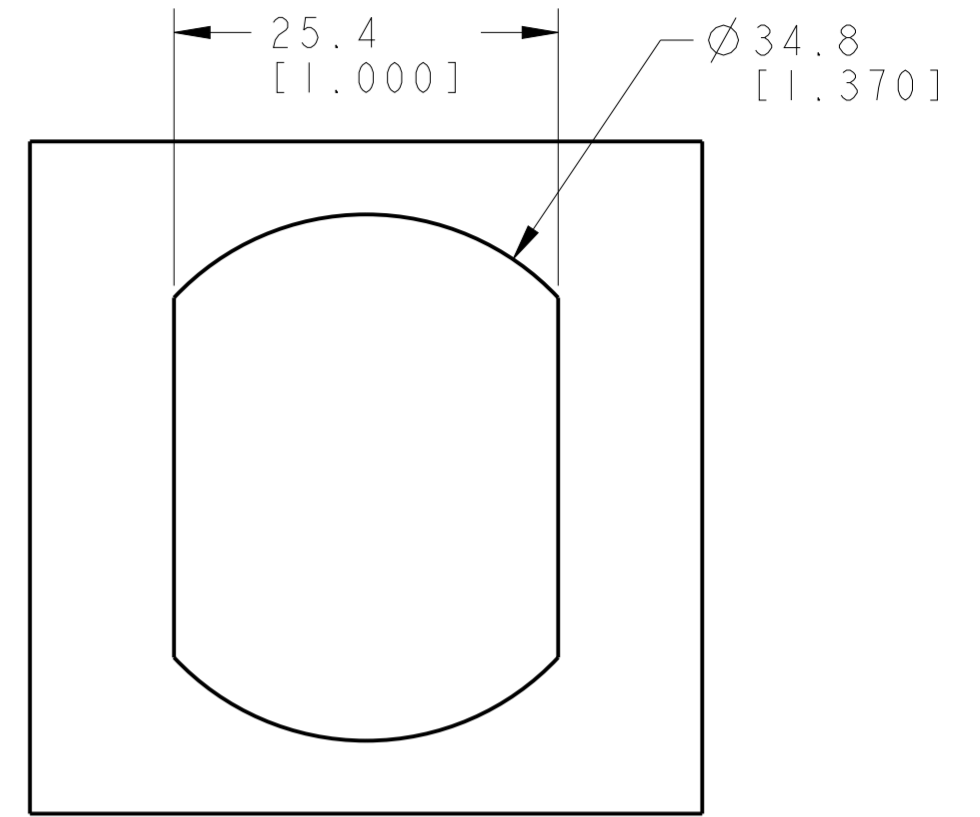
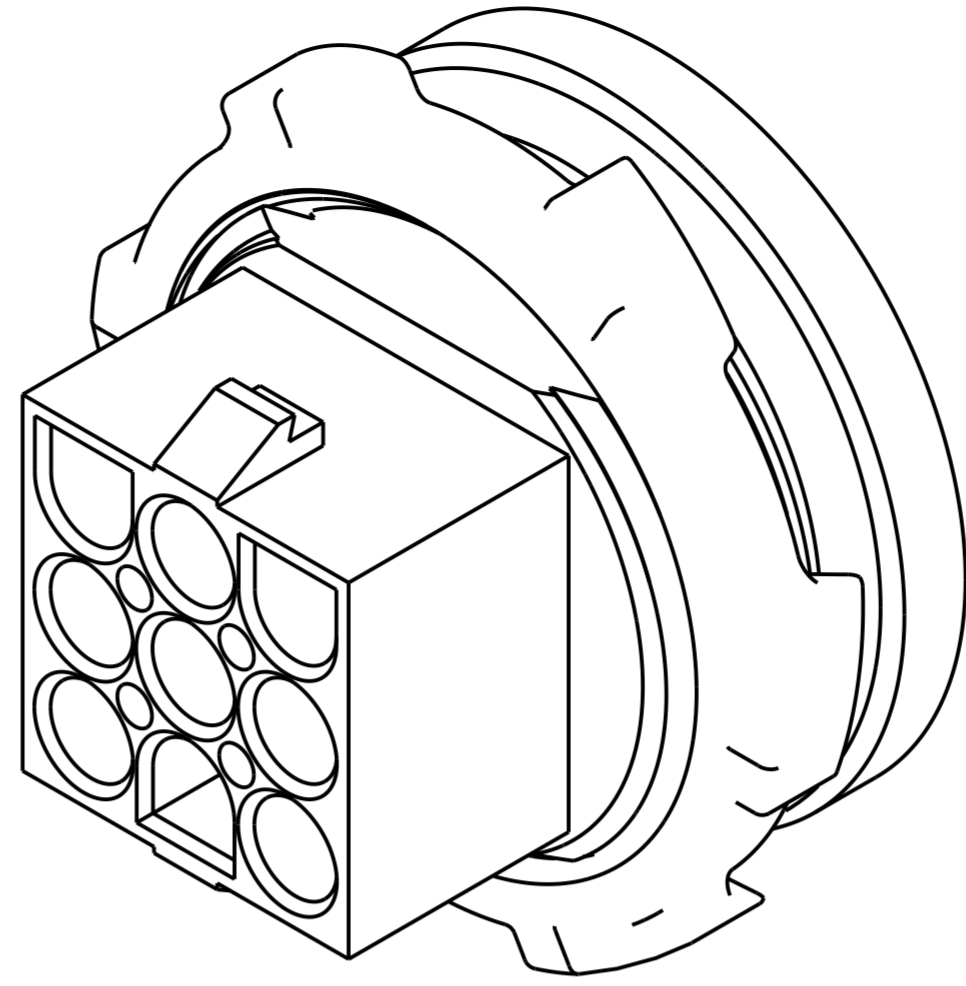
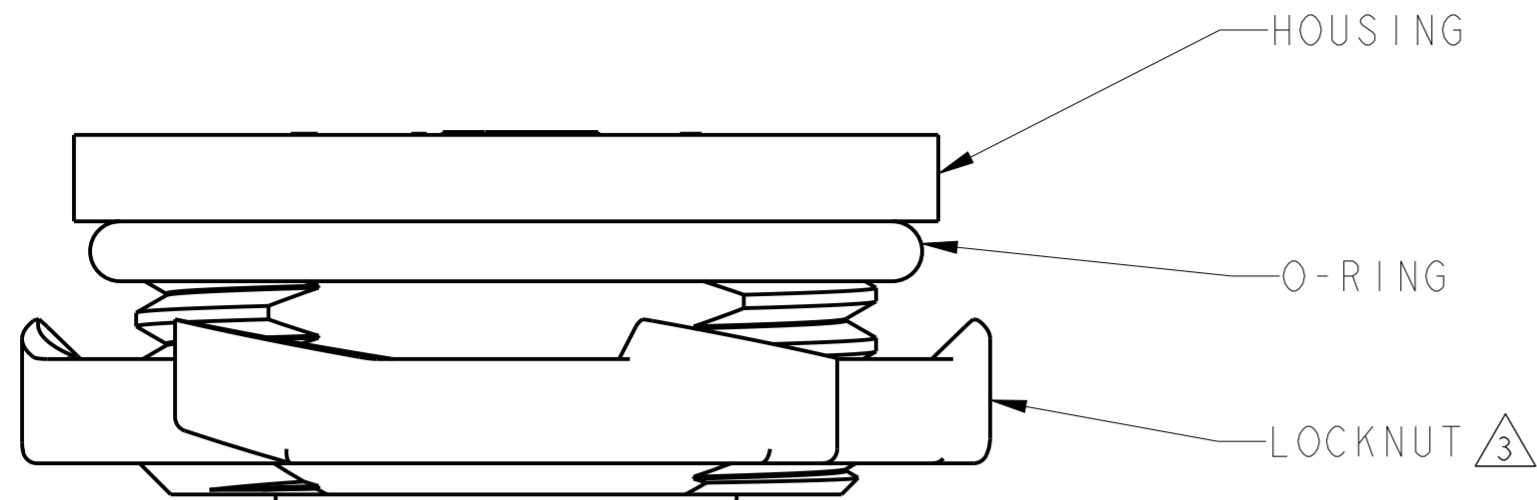
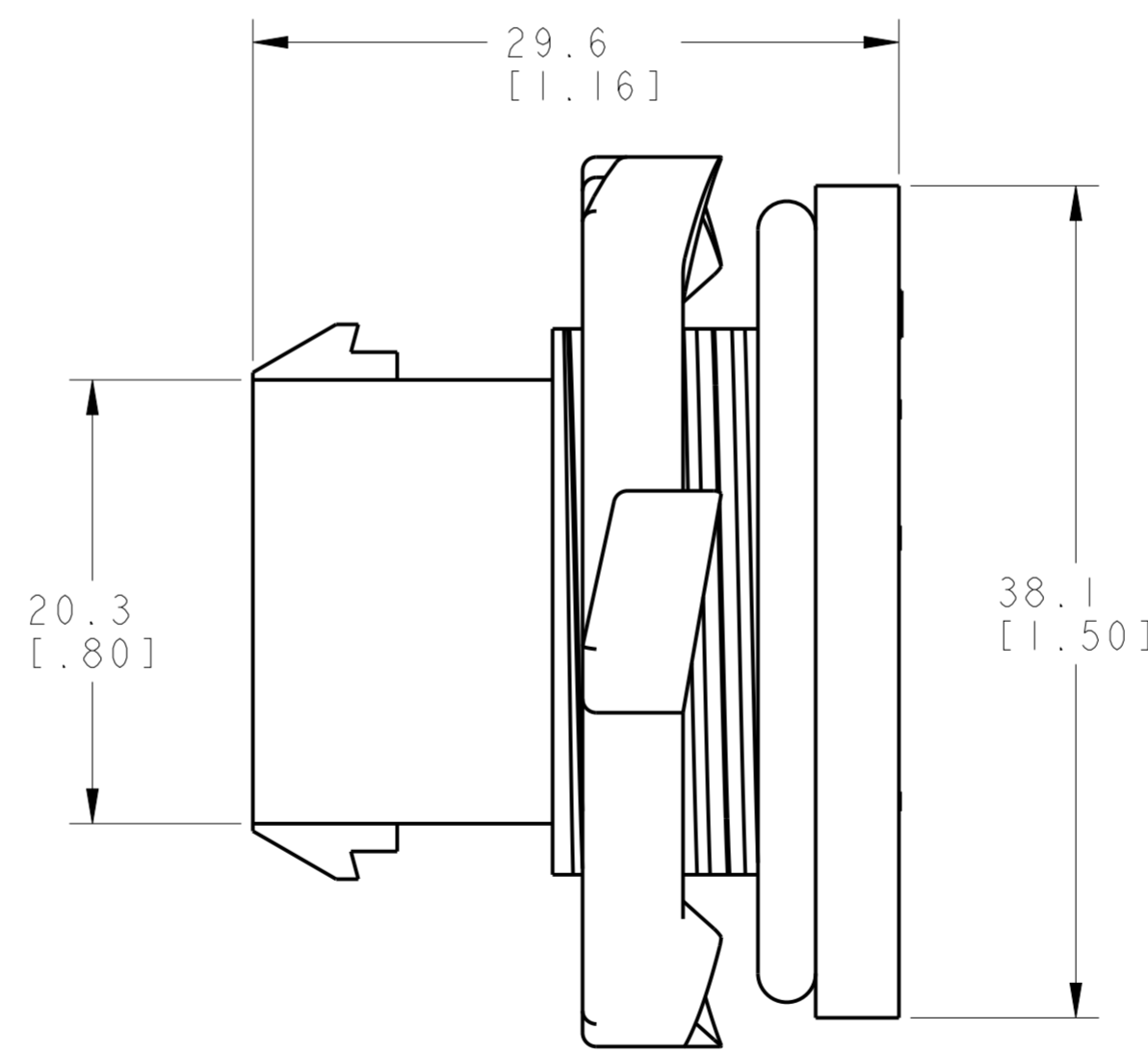
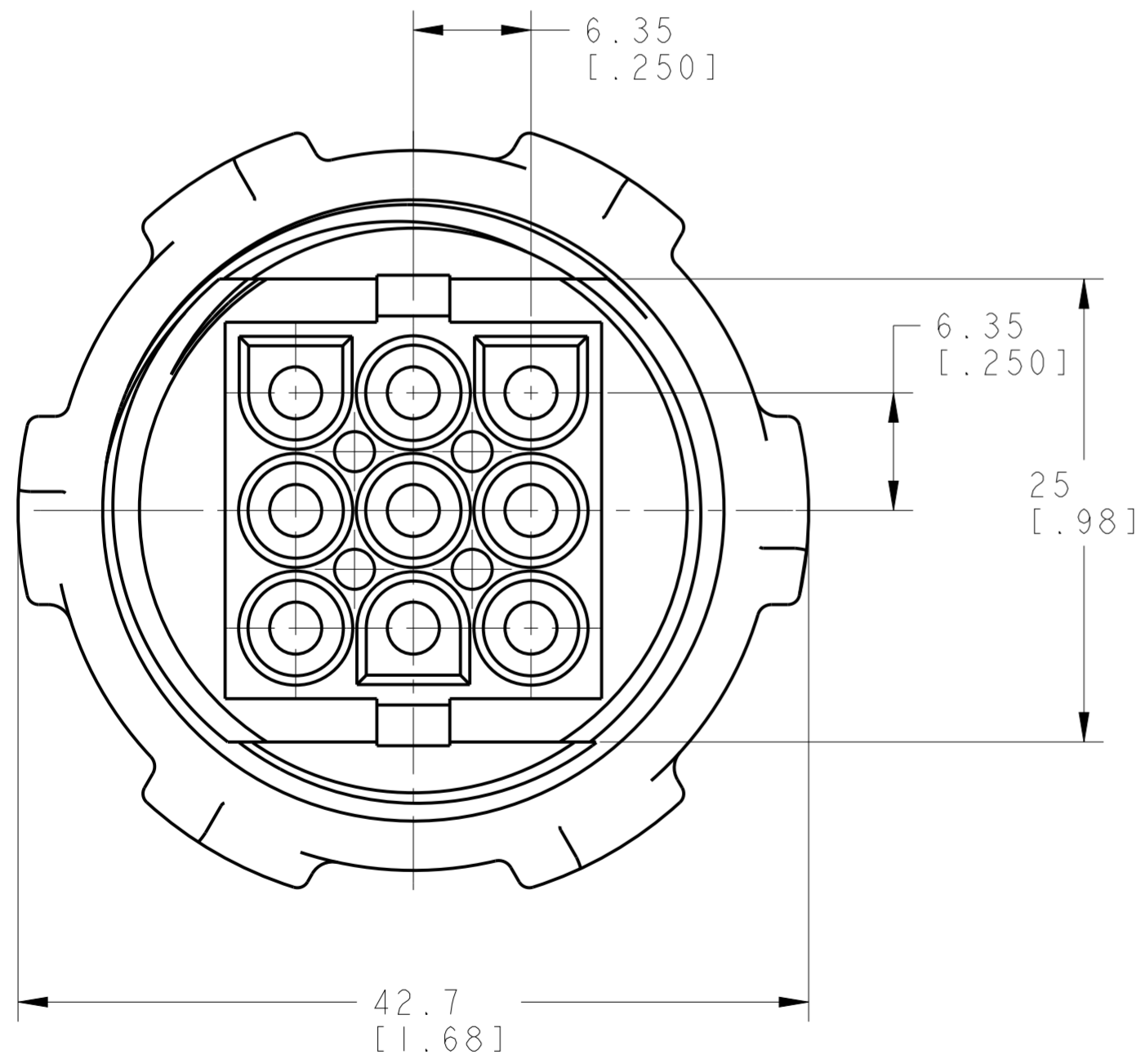
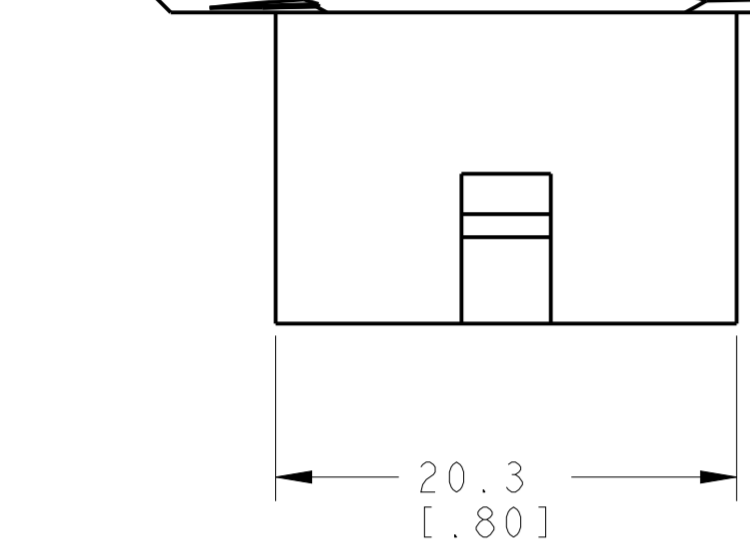


THIS DRAWING IS UNPUBLISHED. RELEASED FOR PUBLICATION 20  
 © COPYRIGHT 20 BY - ALL RIGHTS RESERVED.

REVISIONS					
P	LTR	DESCRIPTION	DATE	DWN	APVD
A1		REVISED PER ECR-17-015449	25OCT2017	BDA	KR
A2		REVISED PER ECO-20-008510	17JUN2020	WLS	DZ
A3		REVISED PER ECN-20-100768	03DEC2020	WLS	VS
B		REVISED PER ECN-21-103649	10MAY2021	WLS	VS



RECOMMENDED  
 PANEL CUT-OUT  
 SCALE 2:1



- ① LOCKNUT : METAL  
 HOUSING : NYLON, FLAME RETARDANT, UL94-V0  
 O-RING : NEOPRENE BLACK (-1) OR  
 SILICONE RUBBER RED (1- -1)
- ② LOCKNUT : PLATED
- ③ LOCKNUT, SIX(6) OR EIGHT(8) SYMETRICAL  
 PLACED GRIP POINTS PERMISSIBLE.
- 4 DIMENSIONS SHOWN REPRESENT PRODUCT IN  
 DRY, AS MOLDED, CONDITION. ADDITIONAL  
 2% GROWTH DUE TO SUBSEQUENT MOISTURE  
 ABSORPTION MAY OCCUR AND SHOULD BE  
 ACCOUNTED FOR.
- ⑤ ROHS COMPLIANT.

⑤ 1-1604254-1  
 OBSOLETE ~~1604254-1~~  
 PART NO

THIS DRAWING IS A CONTROLLED DOCUMENT.		DWN J.C. YOSLER 22APR2002	TE Connectivity	
DIMENSIONS: mm [INCHES]		CHK J.H. WEAVER 22APR2002		
TOLERANCES UNLESS OTHERWISE SPECIFIED:		APVD J.H. WEAVER 22APR2002	NAME BULKHEAD CONNECTOR ASSEMBLY, 9 CIRCUIT, UNIVERSAL MATE-N-LOK(TM)	
0 PLC ±	1 PLC ±0.5 [.02]	PRODUCT SPEC	SIZE	CAGE CODE
2 PLC ±0.13[.00]	3 PLC ±	APPLICATION SPEC	A200779	C-1604254
4 PLC ±	ANGLES ±	WEIGHT	SCALE	SHEET
MATERIAL ①	FINISH ②	CUSTOMER DRAWING	3:1	OF 1
			REV	B